

# Mult 1U

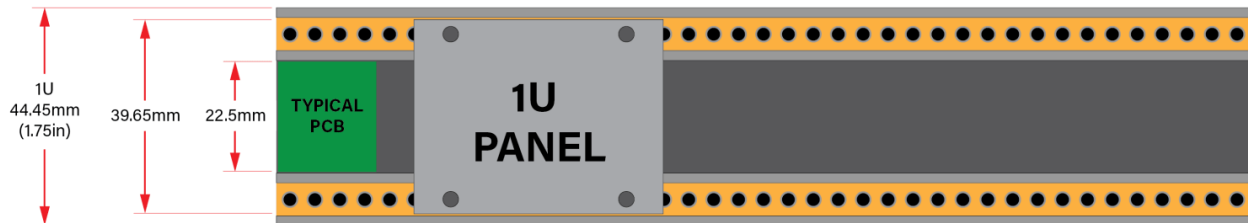
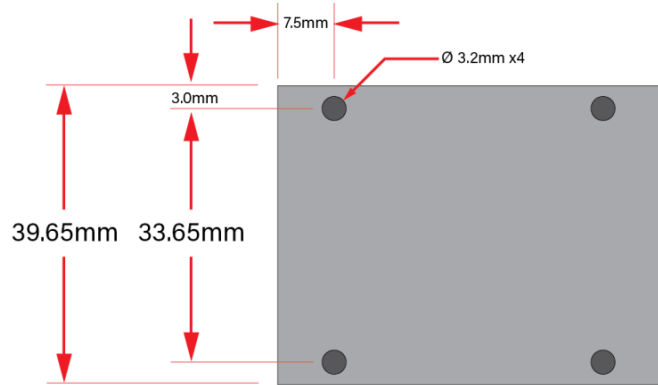
Dual 5-Way Passive Multiple



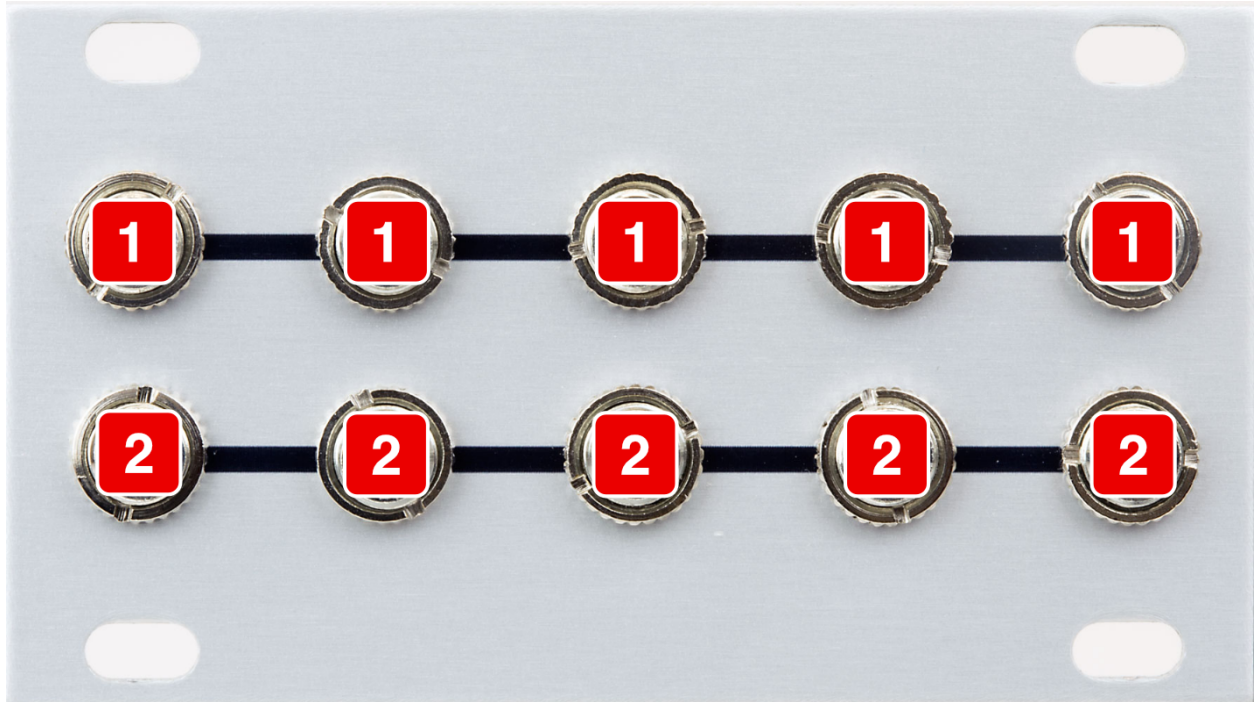
## Installation

This module is designed for use within an Intellijel-standard 1U row, such as contained within the Intellijel 4U and 7U Eurorack cases. Intellijel's 1U specification is derived from the Eurorack mechanical specification set by Doepfer that is designed to support the use of lipped rails within industry standard rack heights.

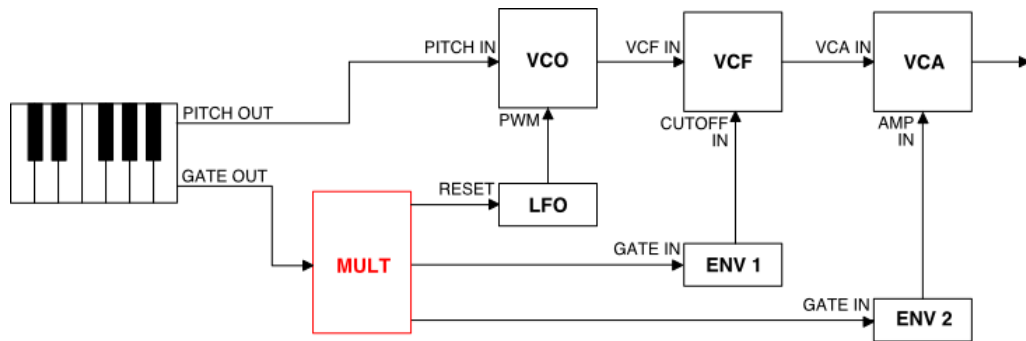
Because Mult 1U is a passive module, it requires no power to operate.



# Operation



Mult 1U is a dual 5-way passive signal multiplier. A signal multiplier takes one input signal and routes it to multiple outputs simultaneously. For example, you might want a keyboard's gate CV to trigger two different envelopes — one to control volume and the other to control filter frequency. In addition, you might also want each key press to reset the phase of an LFO, which controls some other parameter, such as Pulse Width modulation on your oscillator.



Since such a patch requires that one signal (a gate, in this case) be routed to three destinations, you need some sort of signal multiplier to accomplish this.

Mult 1U is divided into two sections — upper and lower. Each section is its own 5-way passive multiplier, completely independent of the other.

Plug an audio or CV signal into any of the five top jacks [1], and Mult 1U sends an unbuffered version out the other four jacks in the group (thereby “multiplying” one signal into four). Similarly, an audio or CV signal patched into any of the bottom five jacks [2] is routed to the other four jacks in the bottom group.

## Technical Specifications

WIDTH: 14 hp

MAXIMUM DEPTH: 27mm

CURRENT DRAW: None (passive module)