

Octalink 1U

Passive 8-Channel Patchbay

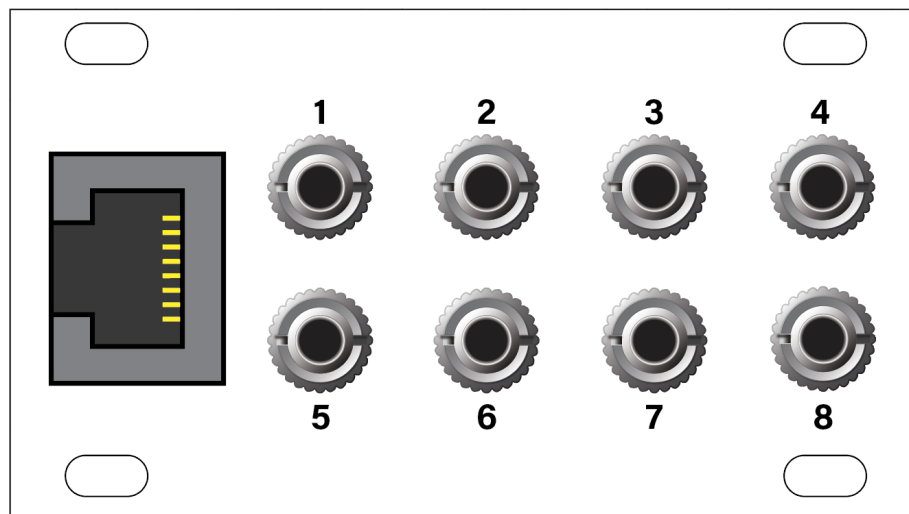


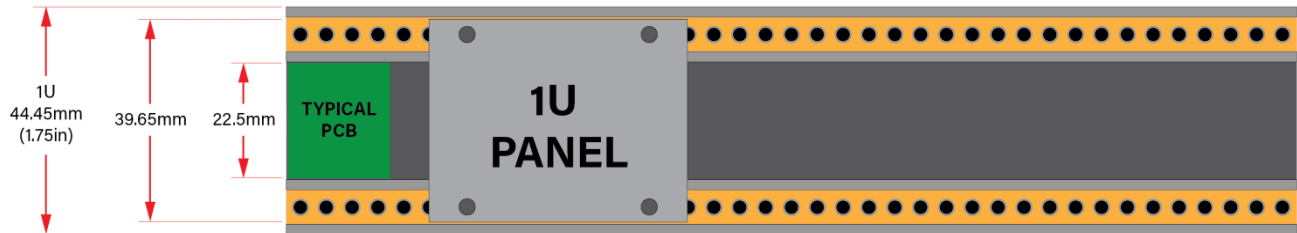
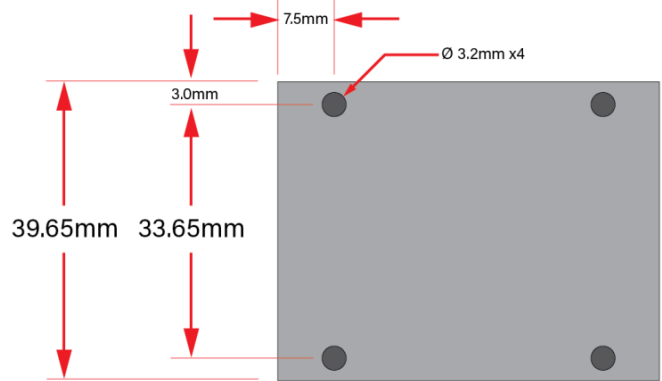
TABLE OF CONTENTS

INSTALLATION	2
FRONT PANEL	3
OPERATION	3
Regarding Audio Signals	5
Using an Octalink 1U With a Doepfer A-180-9	6
TECHNICAL SPECIFICATIONS	6

INSTALLATION

This module is designed for use within an Intellijel-standard 1U row, such as contained within the Intellijel Palette, or 4U and 7U Eurorack cases. Intellijel's 1U specification is derived from the Eurorack mechanical specification set by Doepfer that is designed to support the use of lipped rails within industry standard rack heights.

Because Octalink 1U is a passive module, it requires no power to operate.

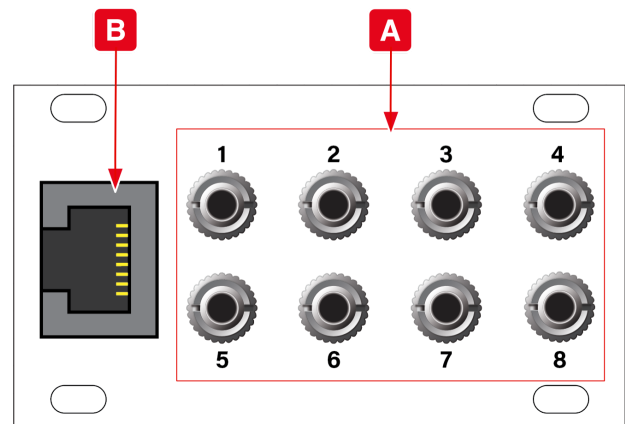


FRONT PANEL

Each Octalink 1U contains eight-patch points **[A]** and an RJ45 port **[B]**.

[A] 1/8" Jacks - Patch eurorack signals into any of the eight numbered jacks in one Octalink 1U, and those signals will appear at the like-numbered jacks in the connected (via RJ45) second Octalink 1U.

[B] RJ45 Port - Connect two Octalink 1U units together with either the supplied RJ45 cable or with any third-party shielded Cat-6a or Cat-7 RJ45 cable.



OPERATION

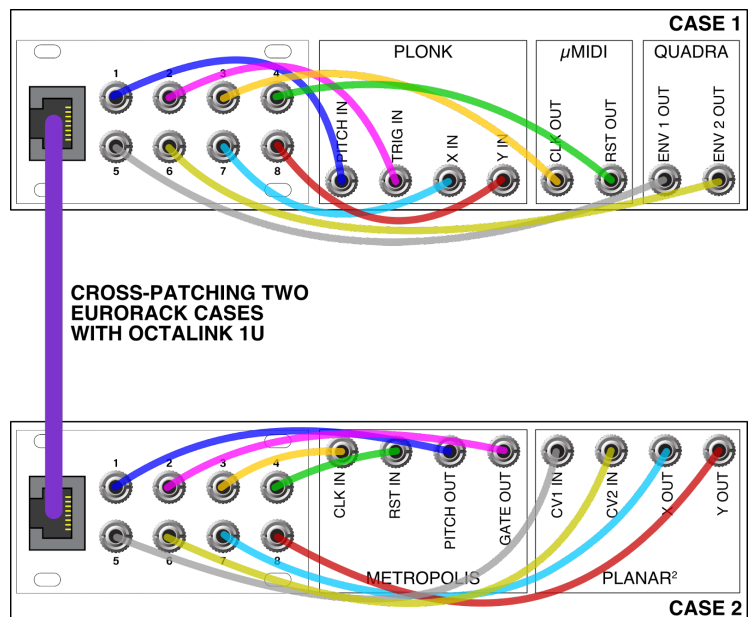
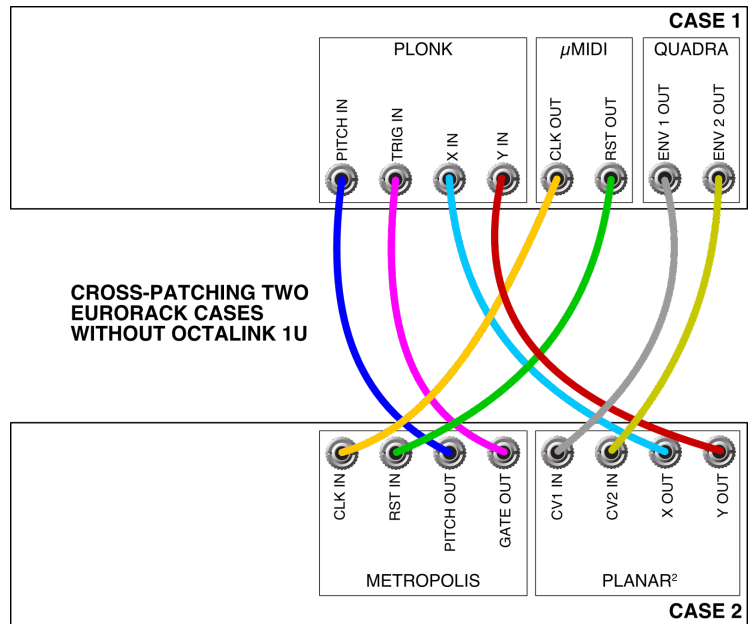
Each Intellijel Octalink 1U package contains two identical Octalink 1U modules and one RJ45 cable. With the Octalink 1U system, you can physically separate different eurorack cases while retaining the ability to cross-patch between them.

Mount each Octalink 1U in a separate Eurorack case, and connect them with a single RJ45 shielded network cable. Each Octalink 1U contains eight patch points, which are routed through the RJ45 cable, eliminating the performance issues and inconvenience of running multiple patch cables over extended distances. Any signal patched into a numbered Octalink 1U jack will appear at the like-numbered jack in the connected Octalink 1U.

Octalink 1U is also useful for musicians who perform with multiple cases. Any connections you would normally need to make between cases (clocks, gates, control voltages, etc.) can be pre-patched into the Octalink 1U modules. You would then simply connect the two cases with a single RJ45 connector when setting up for the gig.

If you need to connect more than two cases or access more than 8 patch connections at a time, simply add more Octalink 1U modules.

IMPORTANT: *If you require a different cable length, you can purchase a standard, fully shielded, internally-grounded RJ45 network cable. Make sure to use only shielded Cat-6a or Cat-7 RJ45 cables. In general, you can spot a shielded cable by the presence of a metal-wrapped connector.*

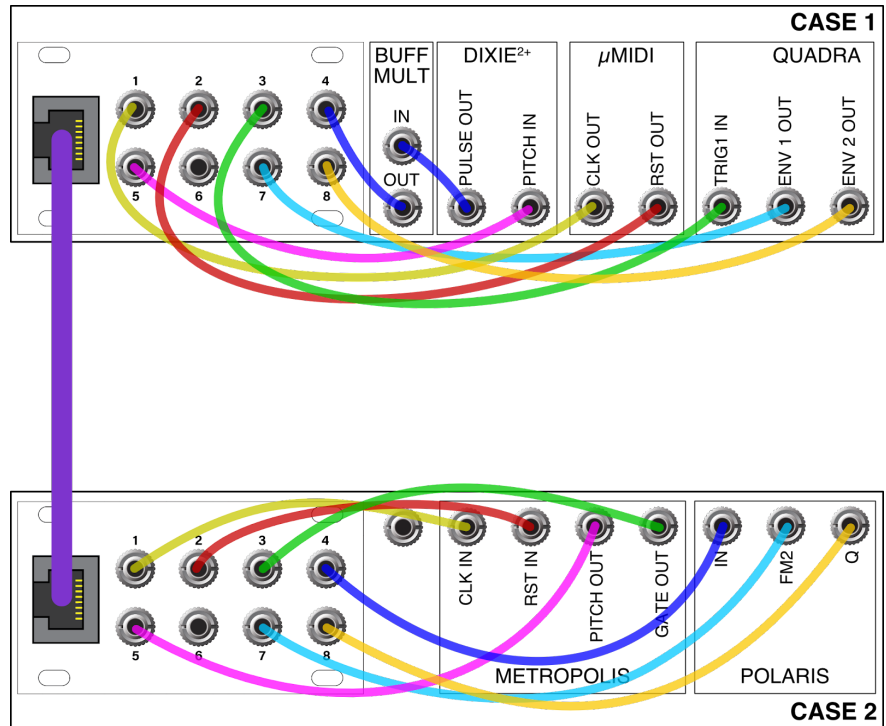


Regarding Audio Signals

Although the Octalink 1U is perfectly capable of transmitting audio signals, keep in mind that it's a passive system. As such, you may hear a slight increase in an audio signal's noise floor under certain conditions.

Should you wish to transmit audio (rather than control voltages) over the Octalink 1U, we recommend first patching the audio signal into a buffered multiple (such as Intellijel's *3U Buff Mult* or *Buff Mult 1U* modules), and then into the Octalink 1U. This will assure the cleanest possible noise floor.

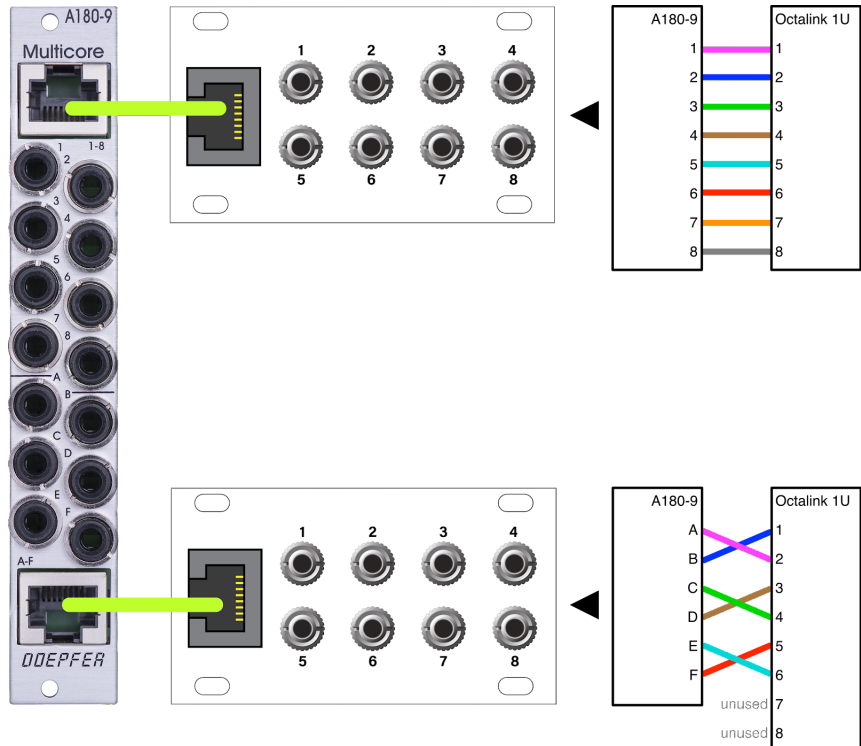
In the example shown here, note that audio from the *Dixie²⁺* in Case 1 is being processed by the *Polaris* filter in Case 2. (See the **BLUE** patch cables). Because the output of the *Dixie²⁺* is an audio signal, we have chosen to first patch it through a *Buff Mult* on its way into the CASE 1 Octalink.



Using an Octalink 1U With a Doepfer A-180-9

Octalink 1U is compatible with Doepfer's A-180-9 Multicore module. If an Octalink 1U is connected to the top (1-8) RJ45 port on the A-180-9, then the numbered jacks correspond perfectly. That is, *jack 1* on the A-180-9 connects to *jack 1* on the Octalink 1U; *jack 2* connects to *jack 2*, and so on.

Connecting the Doepfer's bottom (A-F) RJ45 port to an Octalink 1U is also possible, though this A-180-9 port supports only six jacks, and thus works only with the first six jacks on the Octalink 1U. Note, in this illustration, the criss-cross manner in which numbered Octalink 1U jacks map to the lettered ports on the A-180-9.



TECHNICAL SPECIFICATIONS

WIDTH: 14 hp
 MAXIMUM DEPTH: 14 mm
 CURRENT DRAW: None (passive module)