



2600 M

SEMI-MODULAR SYNTHESIZER

- En Owner's Manual
- Fr Manuel d'utilisation
- De Bedienungsanleitung
- Es Manual del usuario
- Ja 取扱説明書

Precautions

Location

Using the unit in the following locations can result in a malfunction.

- In direct sunlight
- Locations of extreme temperature or humidity
- Excessively dusty or dirty locations
- Locations of excessive vibration
- Close to magnetic fields

Power supply

Please connect the designated AC adapter to an AC outlet of the correct voltage. Do not connect it to an AC outlet of voltage other than that for which your unit is intended.

Interference with other electrical devices

Radios and televisions placed nearby may experience reception interference. Operate this unit at a suitable distance from radios and televisions.

Handling

To avoid breakage, do not apply excessive force to the switches or controls.

Care

If the exterior becomes dirty, wipe it with a clean, dry cloth. Do not use liquid cleaners such as benzene or thinner, or cleaning compounds or flammable polishes.

Keep this manual

After reading this manual, please keep it for later reference.

Keeping foreign matter out of your equipment

Never set any container with liquid in it near this equipment. If liquid gets into the equipment, it could cause a breakdown, fire, or electrical shock.

Be careful not to let metal objects get into the equipment. If something does slip into the equipment, unplug the AC adapter from the wall outlet. Then contact your nearest KORG dealer or the store where the equipment was purchased.

THE FCC REGULATION WARNING (for USA)

NOTE: This equipment has been tested and found to comply with the limits for a Class B digital device, pursuant to Part 15 of the FCC Rules. These limits are designed to provide reasonable protection against harmful interference in a residential installation. This equipment generates, uses, and can radiate radio frequency energy and, if not installed and used in accordance with the instructions, may cause harmful interference to radio communications. However, there is no guarantee that interference will not occur in a particular installation. If this equipment does cause harmful interference to radio or television reception, which can be determined by turning the equipment off and on, the user is encouraged to try to correct the interference by one or more of the following measures:

- Reorient or relocate the receiving antenna.
- Increase the separation between the equipment and receiver.
- Connect the equipment into an outlet on a circuit different from that to which the receiver is connected.
- Consult the dealer or an experienced radio/TV technician for help.

If items such as cables are included with this equipment, you must use those included items.

Unauthorized changes or modification to this system can void the user's authority to operate this equipment.

Notice regarding disposal (EU only)



When this "crossed-out wheeled bin" symbol is displayed on the product, owner's manual, battery, or battery package, it signifies that when you wish to dispose of this product, manual, package or battery you must do so in an approved manner. Do not discard this product, manual, package or battery along with ordinary household waste.



Disposing in the correct manner will prevent harm to human health and potential damage to the environment. Since the correct method of disposal will depend on the applicable laws and regulations in your locality, please contact your local administrative body for details. If the battery contains heavy metals in excess of the regulated amount, a chemical symbol is displayed below the "crossed-out wheeled bin" symbol on the battery or battery package.

SUPPLIER'S DECLARATION OF CONFORMITY (for USA)

Responsible Party : KORG USA INC.

Address : 316 SOUTH SERVICE ROAD, MELVILLE, NY

Telephone : 1-631-390-6500

Equipment Type : SEMI-MODULAR SYNTHESIZER

Model : ARP2600-M

This device complies with Part 15 of FCC Rules.

Operation is subject to the following two conditions:

- (1) This device may not cause harmful interference, and
- (2) this device must accept any interference received, including interference that may cause undesired operation.

IMPORTANT NOTICE TO CONSUMERS

This product has been manufactured according to strict specifications and voltage requirements that are applicable in the country in which it is intended that this product should be used. If you have purchased this product via the internet, through mail order, and/or via a telephone sale, you must verify that this product is intended to be used in the country in which you reside.

WARNING: Use of this product in any country other than that for which it is intended could be dangerous and could invalidate the manufacturer's or distributor's warranty. Please also retain your receipt as proof of purchase otherwise your product may be disqualified from the manufacturer's or distributor's warranty.

* All product names and company names are the trademarks or registered trademarks of their respective owners.

Table of Contents

Introduction to the ARP 2600 M	4	Getting started	18
About the ARP 2600 synthesizer	4	Connections	18
Main Features	4	Turning the power on	19
Block diagram	5	Turning the power off	19
Panel description and functions	6	Auto power-off function	19
Front panel (PREAMPLIFIER, ENVELOPE FOLLOWER, RING MODULATOR section)	6	Let's make some sounds ...	20
Front panel (VCO-1 section)	7	Basic settings	20
Front panel (VCO-2 section)	8	Tuning	20
Front panel (VCO-3 section)	9	Voice assign mode settings	21
Front panel (VCF section)	10	Setting the trigger mode	21
Front panel (ADSR EG/AR EG section)	11	About MIDI	22
Front panel (VCA section)	12	Connecting MIDI devices	22
Front panel (MIXER, REVERB section)	13	Connecting a computer	22
Front panel (NOISE GENERATOR, VOLTAGE PROCESSORS section)	14	About the MIDI implementation chart	23
Front panel (SAMPLE & HOLD section)	15	Restoring the factory settings	23
Front panel (SPEAKER section L, SPEAKER section R)	16	Troubleshooting	23
Side panel (mode switches, main output jacks, MIDI, USB, power connector)	17	Specifications	24

Introduction to the ARP 2600 M

About the ARP 2600 synthesizer

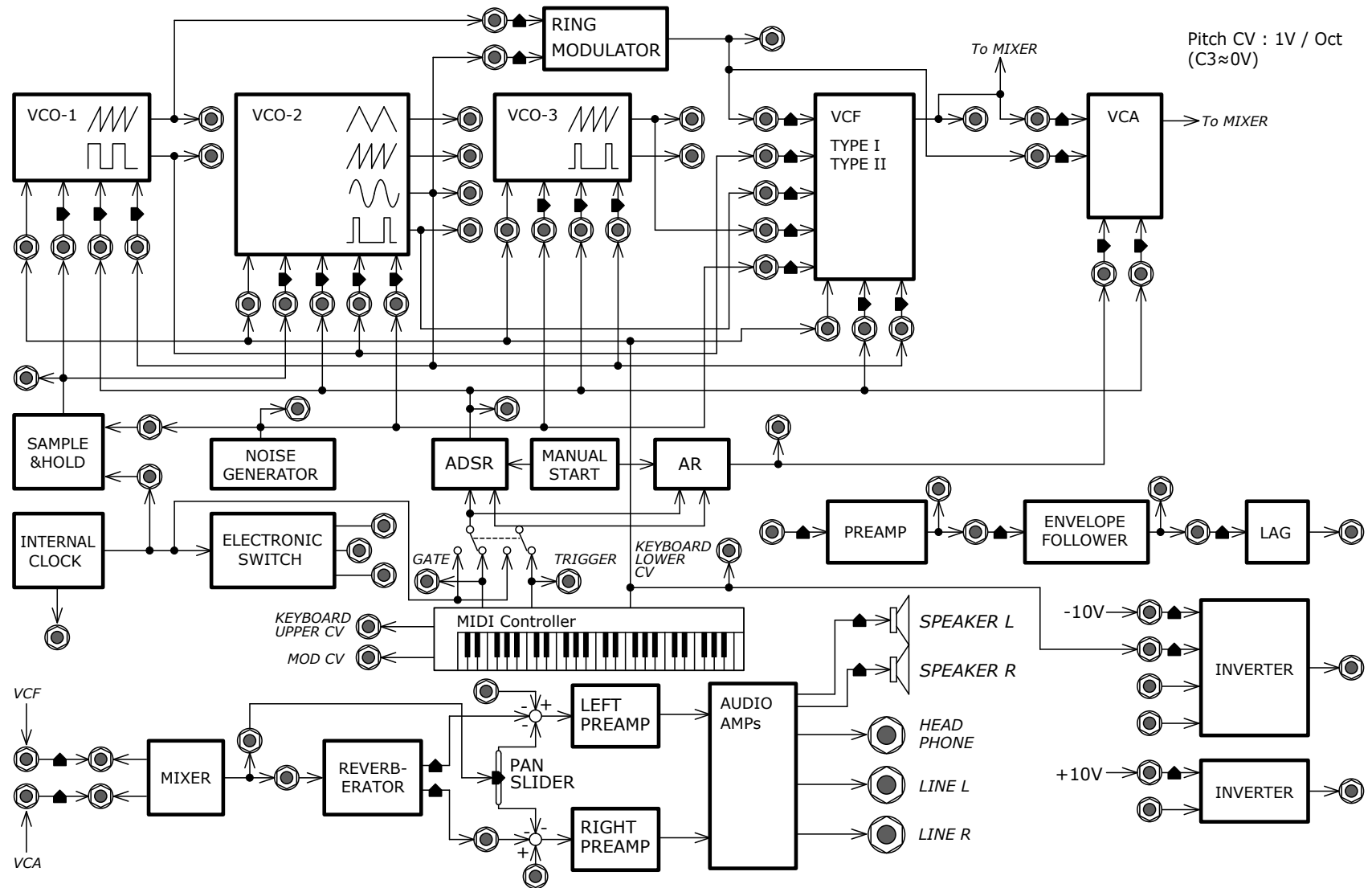
The ARP 2600 was manufactured and sold from 1971 to 1981, and was a notable product of ARP Instruments, Inc. Except for the very early models that used a metal body, the 2600 is well known for its suitcase-style configuration which separated the synth module from the keyboard module.

In an era when large modular systems were still the mainstream, the ARP 2600 went on sale as a semi-modular synthesizer that could be transported. The main modules are internally pre-connected so that sound could be immediately produced without patching, and extremely complex sounds could be designed by patching. Its wide range of sound design potential meant that the ARP 2600 was used in recordings by numerous musicians, production of music for films, and in education. Other notable features were its built-in speakers and spring reverb.

Main Features

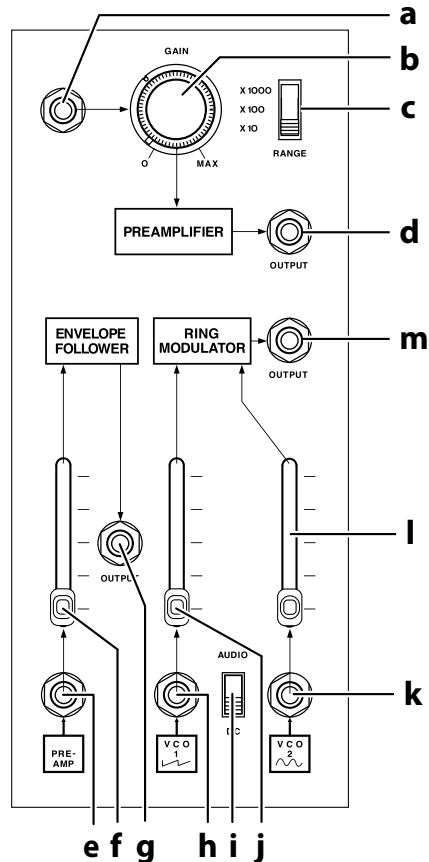
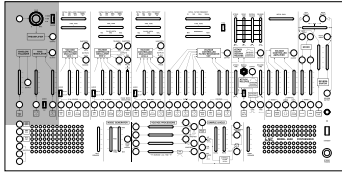
- The ARP 2600 M is an authentic yet highly portable synthesizer, just around 60% of the size of the original ARP 2600 but with all of the same functionality and design.
- Equipped with VCOs, VCF, and VCA that use the analog circuits of the original ARP 2600, this instrument provides sound design capabilities far beyond a typical analog synthesizer, allowing flexible and highly improvisatory synthesis.
- The included patch cables allow highly flexible patching. Since each module is internally connected by default, the unit can also be used without connecting patch cables.
- Two types of VCF (early and later models) are provided, and can be selected by a single switch.
- Two types of envelope generators are provided: ADSR type and AR type.
- Since an external audio input jack is provided, you can also process sound that is input externally, such as a guitar or microphone signal.
- A USB port and MIDI connectors are provided, allowing the unit to be connected to a computer or MIDI devices.
- The ARP 2600 M features a USB MIDI CONTROLLER port that lets you directly connect the synthesizer to a MIDI controller without using a USB-MIDI interface (MIDI controllers with USB HUB functionality are not supported).

Block diagram



Panel description and functions

Front panel (PREAMPLIFIER, ENVELOPE FOLLOWER, RING MODULATOR section)



PREAMPLIFIER

- a. **Input jack**
Inputs an audio signal from a mic, electric guitar, or other source.
- b. **GAIN knob** [0...MAX]
Adjusts the gain of the preamp.
- c. **RANGE switch**.....[x10, x100, x1000]
Switches the amplification ratio of the preamp.
- d. **Output jack**
Outputs the signal that is amplified by the preamp.

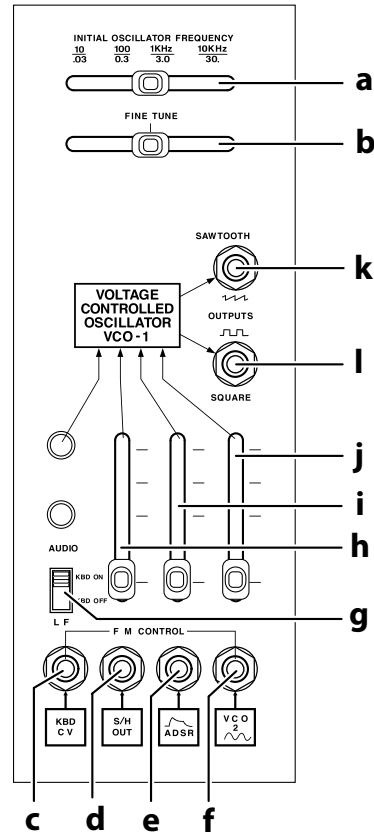
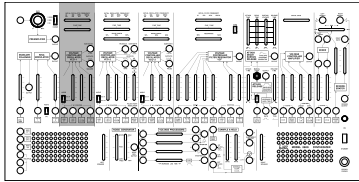
ENVELOPE FOLLOWER

- e. **Input jack**
This jack inputs a signal to the envelope follower. The preamp output is internally connected.
- f. **Input level slider**
Adjusts the signal level that is input to the envelope follower.
- g. **Output jack**
This is the output jack of the envelope follower. It outputs a contour of the input signal.

RING MODULATOR

- h. **Input 1 jack**
This jack inputs the first signal to the ring modulator. The sawtooth wave of VCO-1 is internally connected.
- i. **Input select switch**..... [AUDIO, DC]
Setting this switch to AUDIO will cut the DC offset of the input signal. If this switch is set to DC, the input signal is passed without modification to the ring modulator. Choose this setting when inputting a CV.
- j. **Input 1 level slider**
Adjusts the signal level of the input 1 jack. The sawtooth wave of VCO-1 is internally connected.
- k. **Input 2 jack**
This jack inputs the second signal to the ring modulator. The sine wave of VCO-2 is internally connected.
- l. **Input 2 level slider**
Adjusts the signal level of the input 2 jack.
- m. **Output jack**
This is the ring modulator's output jack. It outputs a signal produced by multiplying two inputs.

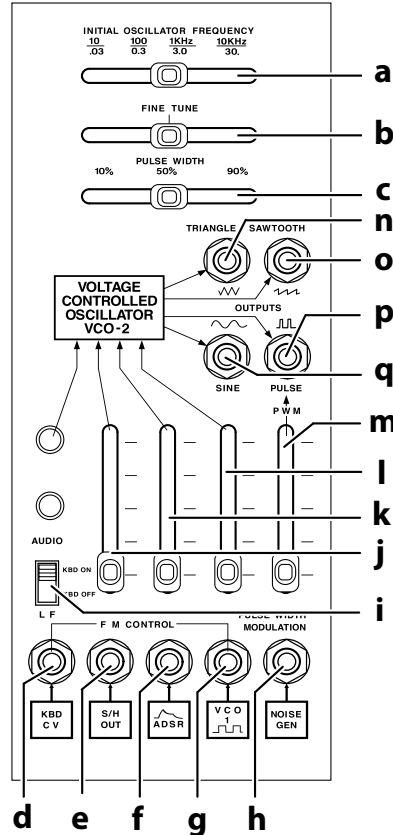
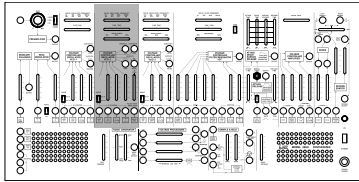
Front panel (VCO-1 section)



VCO-1 (Voltage Controlled Oscillator 1)

- a. **INITIAL OSCILLATOR FREQUENCY slider**[10(.03)Hz...10K(30.)Hz]
Broadly adjusts the VCO-1 pitch.
⚡ The frequency range is an approximate value.
- b. **FINE TUNE slider**
Finely adjusts the VCO-1 pitch.
- c. **CV input 1 jack**
This is the pitch CV input jack for VCO-1. The KBD CV is internally connected.
- d. **CV input 2 jack**
This is the pitch CV input jack for VCO-1. The S/H OUT is internally connected.
- e. **CV input 3 jack**
This is the pitch CV input jack for VCO-1. The ADSR is internally connected.
- f. **CV input 4 jack**
This is the pitch CV input jack for VCO-1. The sine wave of VCO-2 is internally connected.
- g. **AUDIO/LF select switch** [KBD ON, KBD OFF]
Selects whether to use VCO-1 as an audio signal or as an LFO. When using VCO-1 as an LFO (KBD OFF), the KBD CV will no longer be input into VCO-1.
- h. **CV input 2 slider**
Adjusts the signal level of VCO-1 CV input 2.
- i. **CV input 3 slider**
Adjusts the signal level of VCO-1 CV input 3.
- j. **CV input 4 slider**
Adjusts the signal level of VCO-1 CV input 4.
- k. **SAWTOOTH output jack**
Outputs the sawtooth wave of VCO-1.
- l. **SQUARE output jack**
Outputs the square wave of VCO-1.

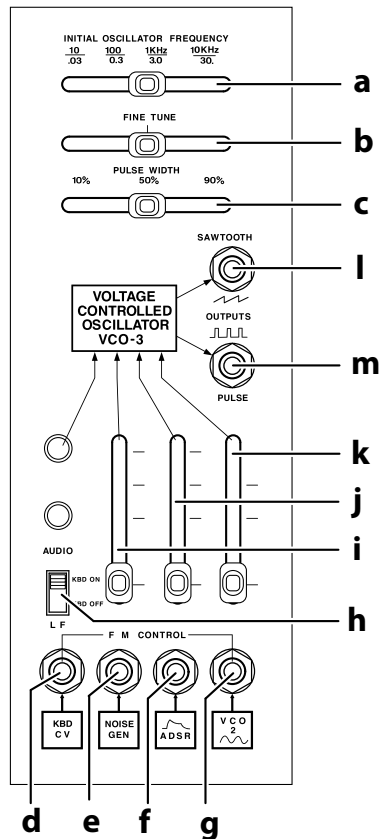
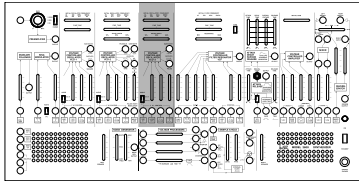
Front panel (VCO-2 section)



VCO-2 (Voltage Controlled Oscillator 2)

- a. **INITIAL OSCILLATOR FREQUENCY slider** [10(.03)Hz...10K(30.)Hz]
Broadly adjusts the VCO-2 pitch.
▲ The frequency range is an approximate value.
- b. **FINE TUNE slider**
Finely adjusts the VCO-2 pitch.
- c. **PULSE WIDTH slider**
..... [10%...90%]
Adjusts the duty cycle of the VCO-2 pulse wave.
- d. **CV input 1 jack**
This is the pitch CV input jack for VCO-2. The KBD CV is internally connected.
- e. **CV input 2 jack**
This is the pitch CV input jack for VCO-2. The S/H OUT is internally connected.
- f. **CV input 3 jack**
This is the pitch CV input jack for VCO-2. The ADSR is internally connected.
- g. **CV input 4 jack**
This is the pitch CV input jack for VCO-2. The square wave of VCO-1 is internally connected.
- h. **PULSE WIDTH MODULATION input jack**
This is the input jack for the CV that controls the duty cycle of the VCO-2 pulse wave output. The noise generator is internally connected.
- i. **AUDIO/LF select switch**
..... [KBD ON, KBD OFF]
Selects whether to use VCO-2 as an audio signal or as an LFO. When using VCO-2 as an LFO (KBD OFF), the KBD CV will no longer be input into VCO-2.
- j. **CV input 2 level slider**
Adjusts the signal level of VCO-2 CV input 2.
- k. **CV input 3 level slider**
Adjusts the signal level of VCO-2 CV input 3.
- l. **CV input 4 level slider**
Adjusts the signal level of VCO-2 CV input 4.
- m. **PULSE WIDTH MODULATION input level slider**
Adjusts the amount of pulse width modulation.
- n. **TRIANGLE output jack**
Outputs the triangle wave of VCO-2.
- o. **SAWTOOTH output jack**
Outputs the sawtooth wave of VCO-2.
- p. **PULSE output jack**
Outputs the pulse wave of VCO-2.
- q. **SINE output jack**
Outputs the sine wave of VCO-2.

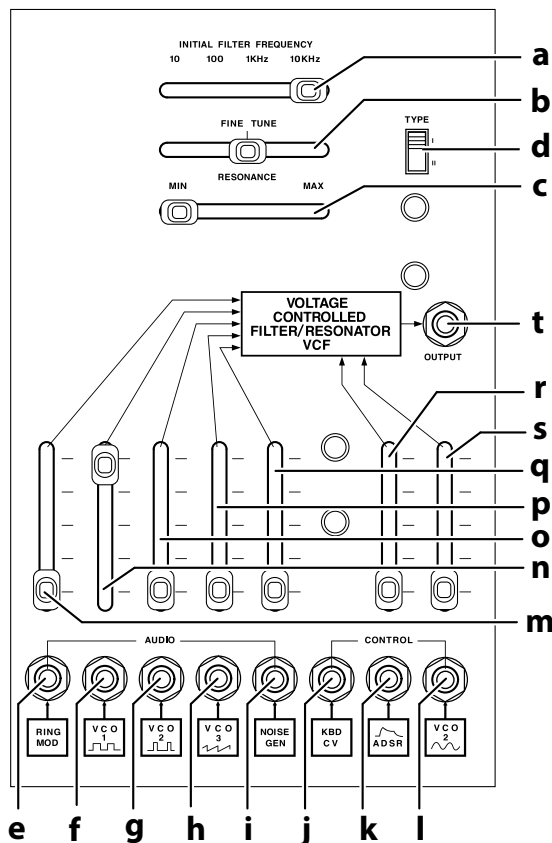
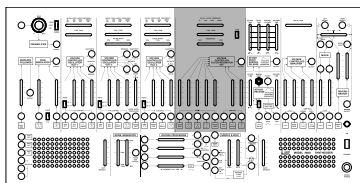
Front panel (VCO-3 section)



VCO-3 (Voltage Controlled Oscillator 3)

- a. **INITIAL OSCILLATOR FREQUENCY slider**[10(.03)Hz...10K(30.)Hz]
Broadly adjusts the VCO-3 pitch.
🔊 The frequency range is an approximate value.
- b. **FINE TUNE slider**
Finely adjusts the VCO-3 pitch.
- c. **PULSE WIDTH slider** [10%...90%]
Adjusts the duty cycle of the VCO-3 pulse wave.
- d. **CV input 1 jack**
This is the pitch CV input jack for VCO-3. The KBD CV is internally connected.
- e. **CV input 2 jack**
This is the pitch CV input jack for VCO-3. The noise generator is internally connected.
- f. **CV input 3 jack**
This is the pitch CV input jack for VCO-3. The ADSR is internally connected.
- g. **CV input 4 jack**
This is the pitch CV input jack for VCO-3. The sine wave of VCO-2 is internally connected.
- h. **AUDIO/LF select switch** [KBD ON, KBD OFF]
Selects whether to use VCO-3 as an audio signal or as an LFO. When using VCO-3 as an LFO (KBD OFF), the KBD CV will no longer be input into VCO-3.
- i. **CV input 2 level slider**
Adjusts the signal level of VCO-3 CV input 2.
- j. **CV input 3 level slider**
Adjusts the signal level of VCO-3 CV input 3.
- k. **CV input 4 level slider**
Adjusts the signal level of VCO-3 CV input 4.
- l. **SAWTOOTH output jack**
Outputs the sawtooth wave of VCO-3.
- m. **PULSE output jack**
Outputs the pulse wave of VCO-3.

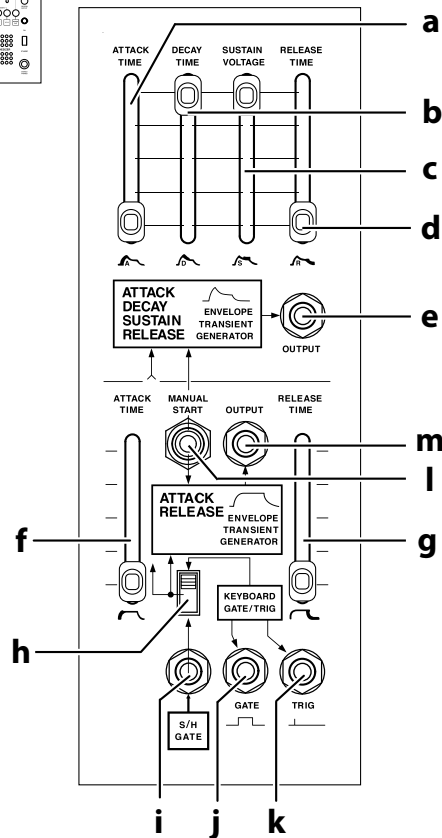
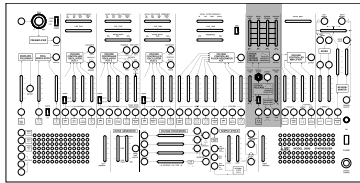
Front panel (VCF section)



VCF (Voltage Controlled Filter)

- a. **INITIAL FILTER FREQUENCY slider** [10Hz...10KHz]
Broadly adjusts the cutoff frequency of the LPF (low-pass filter). Moving the slider toward the left cuts the high-frequency range of the input signal, producing a softer tone. Moving the slider toward the right produces a harder and brighter tone.
▲ The frequency range is an approximate value.
- b. **FINE TUNE slider**
Finely adjusts the cutoff frequency of the LPF.
- c. **RESONANCE slider**
Adjusts the filter resonance level. This modifies the tonal character by boosting the overtones in the region of the cutoff point. As you raise the slider, self-oscillation (a state in which the VCF itself produces a sound) will occur starting at a certain point.
- d. **TYPE switch** [I, II]
Selects the type of VCF.
TYPE I: ARP 2600 early models
TYPE II: ARP 2600 late models
- e. **AUDIO input 1 jack**
This is the input jack for the VCF audio signal. RING MODULATOR is internally connected.
- f. **AUDIO input 2 jack**
This is the input jack for the VCF audio signal. The square wave of VCO-1 is internally connected.
- g. **AUDIO input 3 jack**
This is the input jack for the VCF audio signal. The pulse wave of VCO-2 is internally connected.
- h. **AUDIO input 4 jack**
This is the input jack for the VCF audio signal. The sawtooth wave of VCO-3 is internally connected.
- i. **AUDIO input 5 jack**
This is the input jack for the VCF audio signal. The noise generator is internally connected.
- j. **CV input 1 jack**
This is a CV input jack that controls the VCF cutoff frequency. The KBD CV is internally connected.
- k. **CV input 2 jack**
This is a CV input jack that controls the VCF cutoff frequency. The ADSR is internally connected.
- l. **CV input 3 jack**
This is a CV input jack that controls the VCF cutoff frequency. The sine wave of VCO-2 is internally connected.
- m. **AUDIO input 1 level slider**
Adjusts the audio signal level of VCF AUDIO input 1.
- n. **AUDIO input 2 level slider**
Adjusts the audio signal level of VCF AUDIO input 2.
- o. **AUDIO input 3 level slider**
Adjusts the audio signal level of VCF AUDIO input 3.
- p. **AUDIO input 4 level slider**
Adjusts the audio signal level of VCF AUDIO input 4.
- q. **AUDIO input 5 level slider**
Adjusts the audio signal level of VCF AUDIO input 5.
- r. **CV input 2 level slider**
Adjusts the signal level of VCF CV input 2.
- s. **CV input 3 level slider**
Adjusts the signal level of VCF CV input 3.
- t. **Output jack**
This is the VCF output jack.

Front panel (ADSR EG/AR EG section)



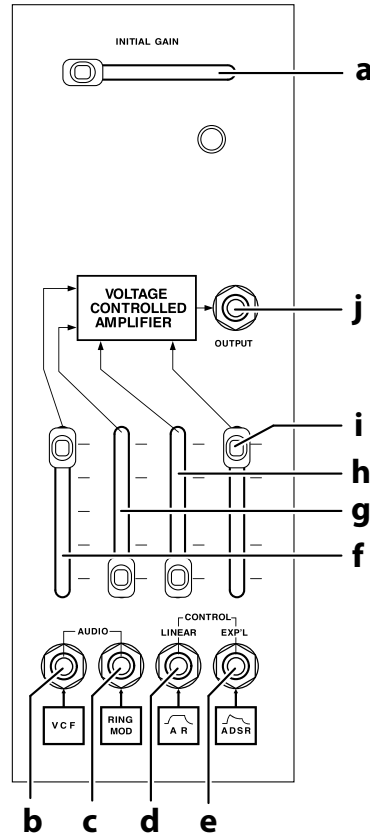
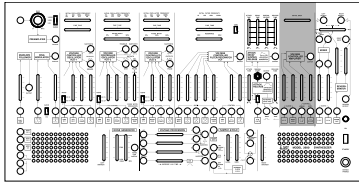
ADSR EG (Envelope generator)

- a. **ATTACK TIME slider**
Adjusts the attack time of the ADSR envelope generator.
- b. **DECAY TIME slider**
Adjusts the decay time of the ADSR envelope generator.
- c. **SUSTAIN VOLTAGE slider**
Adjusts the sustain level of the ADSR envelope generator.
- d. **RELEASE TIME slider**
Adjusts the release time of the ADSR envelope generator.
- e. **Output jack**
This is the output jack of the ADSR envelope generator.

AR EG (Envelope generator)

- f. **ATTACK TIME slider**
Adjusts the attack time of the AR envelope generator.
- g. **RELEASE TIME slider**
Adjusts the release time of the AR envelope generator.
- h. **GATE/TRIG source select switch [S/H GATE, KEYBOARD GATE/TRIG]**
Selects whether the GATE/TRIGGER signal is received from S/H GATE or from the MIDI controller.
- i. **GATE input jack**
Inputs the gate signal. S/H GATE is internally connected.
- j. **GATE output jack**
Outputs the gate signal of the MIDI controller.
- k. **TRIG output jack**
Outputs the trigger signal of the MIDI controller.
- l. **MANUAL START switch**
Pressing this switch generates a gate signal, outputting an ADSR/AR signal. This is useful when you want to audition the sound without using the MIDI controller.
- m. **Output jack**
This is the output jack of the AR envelope generator.

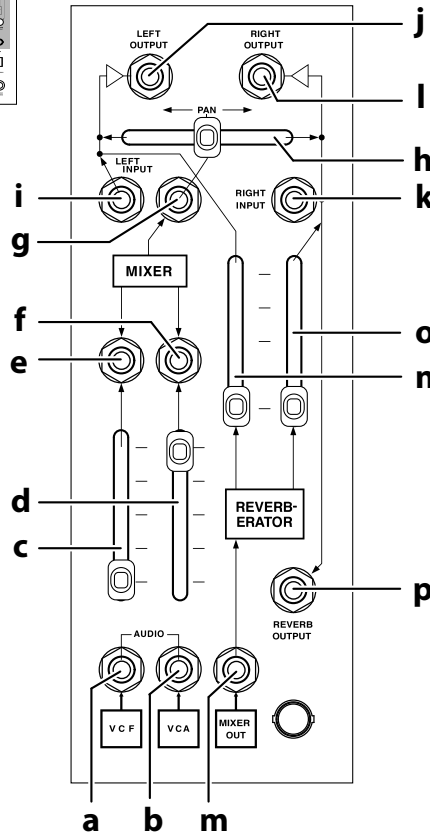
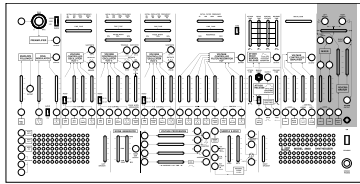
Front panel (VCA section)



VCA (Voltage Controlled Amplifier)

- a. INITIAL GAIN slider**
Adjusts the CV offset voltage of the VCA.
- b. AUDIO input 1 jack**
This is the input jack for the VCA audio signal. The VCF is internally connected.
- c. AUDIO input 2 jack**
This is the input jack for the VCA audio signal. The ring modulator is internally connected.
- d. CV input 1 jack**
This is the CV input jack that controls the VCA gain. The AR EG is internally connected.
The VCA gain is proportionally related to this CV voltage.
- e. CV input 2 jack**
This is the CV input jack that controls the VCA output. The ADSR EG is internally connected.
The VCA gain is exponentially related to this CV voltage.
- f. AUDIO input 1 level slider**
Adjusts the audio signal level of VCA AUDIO input 1.
- g. AUDIO input 2 level slider**
Adjusts the audio signal level of VCA AUDIO input 2.
- h. CV input 1 level slider**
Adjusts the signal level of VCA CV input 1.
- i. CV input 2 level slider**
Adjusts the signal level of VCA CV input 2.
- j. Output jack**
This is the VCA output jack. It outputs an audio signal whose volume varies according to the CV signals from CV input 1 and CV input 2.
 - ▲ If the INITIAL GAIN slider (a) is moved all the way to the right, the audio signal is output continuously without stopping.

Front panel (MIXER, REVERB section)



MIXER

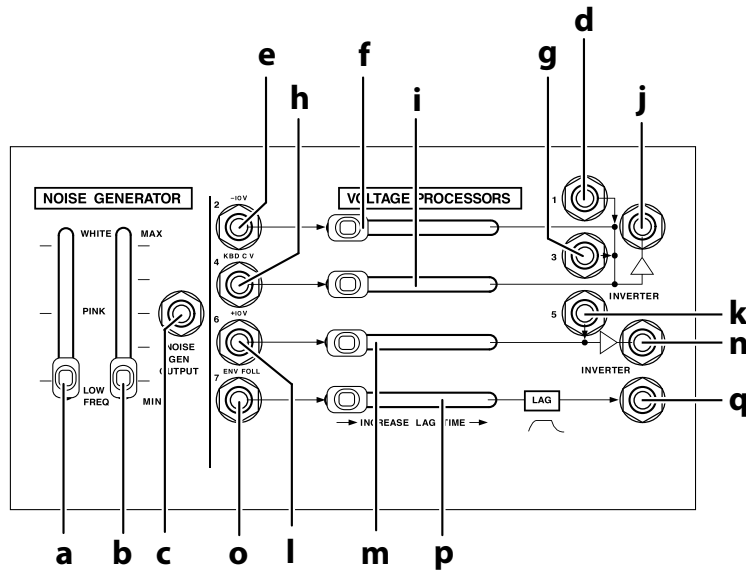
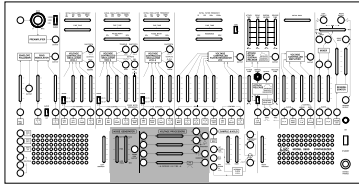
- a. Input 1 jack**
This is the mixer input jack. The VCF output is internally connected.
- b. Input 2 jack**
This is the mixer input jack. The VCA output is internally connected.
- c. Input 1 level slider**
Adjusts the audio signal level of mixer input 1.
- d. Input 2 level slider**
Adjusts the audio signal level of mixer input 2.
- e. AUDIO output 1 jack**
This is the output jack for the audio signal that is adjusted using component "c" above.
⚡ When a patch cable is plugged into this jack, the audio signal will not be input into the mixer.
- f. AUDIO output 2 jack**
This is the output jack for the audio signal that is adjusted using component "d" above.
⚡ When a patch cable is plugged into this jack, the audio signal will not be input into the mixer.
- g. L/R input jack**
This is an input for the audio signal that is output to both the left and right channels. The mixer output is internally connected.
- h. PAN slider**
Adjusts the panpot (left/right volume balance).
- i. LEFT INPUT jack**
This is the input jack for the left channel of the audio output.

- j. LEFT OUTPUT jack**
This jack outputs an audio signal that sums the output of the spring reverb adjusted by n. with the input from the LEFT INPUT jack.
- k. RIGHT INPUT jack**
This is the input jack for the right channel of the audio output.
- l. RIGHT OUTPUT jack**
This jack outputs an audio signal that sums the output of the spring reverb adjusted by o. with the input from the RIGHT INPUT jack.

REVERB

- m. Input jack**
This is the input jack for the spring reverb. The mixer output is internally connected.
- n. Level slider L**
Adjusts the level of the LEFT signal that is input to the spring reverb.
- o. Level slider R**
Adjusts the level of the RIGHT signal that is input to the spring reverb.
- p. REVERB OUTPUT jack**
This is the output of the spring reverb. If a patch cable is connected here, the reverberated signal from l. is no longer output.

Front panel (NOISE GENERATOR, VOLTAGE PROCESSORS section)



NOISE GENERATOR

- a. **Noise color slider**
.....[LOW FREQ...PINK...WHITE]
Adjusts the frequency components of the noise.
- b. **Noise level slider**
Adjusts the signal level of the noise generator.
- c. **NOISE GEN OUTPUT jack**
This is the output jack of the noise generator.

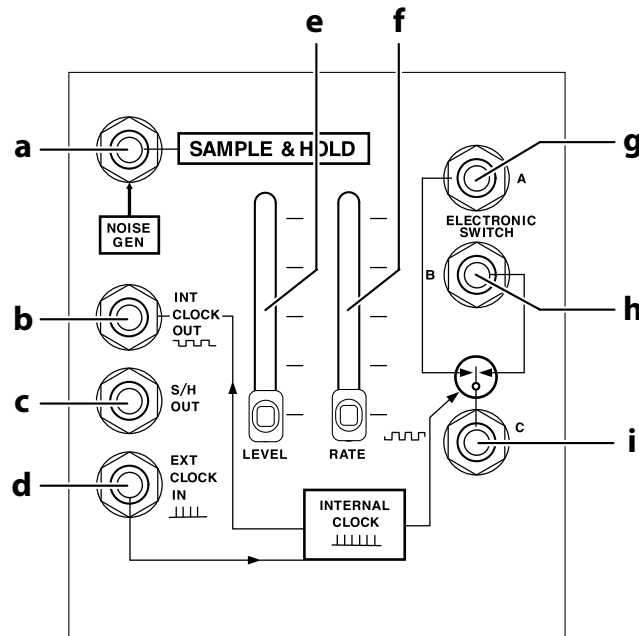
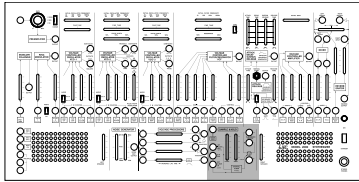
VOLTAGE PROCESSORS

- d. **Inverter input 1 jack**
This is an input jack for an inverter (a module that inverts a voltage).
- e. **Inverter input 2 jack**
This is an input jack for an inverter. -10 V is internally connected.
- f. **Inverter input 2 level slider**
Adjusts the voltage level of the inverter input 2 jack.
- g. **Inverter input 3 jack**
This is an input jack for an inverter.
- h. **Inverter input 4 jack**
This is an input jack for an inverter. KBD CV is internally connected.
- i. **Inverter input 4 level slider**
Adjusts the voltage level of the inverter input 4 jack.
- j. **Inverter output 1 jack**
Outputs an inverted summed voltage of inverter inputs 1-4.

Tip: If you patch an inverted KBD CV to a VCO, the relationship between the keyboard and the pitch is reversed.

- k. **Inverter input 5 jack**
This is an input jack for an inverter.
- l. **Inverter input 6 jack**
This is an input jack for an inverter. +10 V is internally connected.
- m. **Inverter input 6 level slider**
Adjusts the voltage level of the inverter input 6 jack.
- n. **Inverter output 2 jack**
Outputs an inverted summed voltage of inverter inputs 5 and 6.
- o. **LAG input jack**
This is an input jack for the lag (delay) circuit. The output of the envelope follower (see "ENVELOPE FOLLOWER" on page 6) is internally connected.
- p. **LAG TIME slider**
Adjusts the length of lag time. Sliding this toward the right smooths the output signal.
- q. **LAG output jack**
Outputs a signal smoothed by the lag circuit.

Front panel (SAMPLE & HOLD section)



SAMPLE & HOLD

a. SAMPLE & HOLD input jack

This is the input jack for the sample & hold circuit. The noise generator is internally connected.

b. INT CLOCK OUT jack

Outputs the clock signal of the clock generator built into this unit.

c. S/H OUT jack

Outputs the sample & hold signal.

d. EXT CLOCK IN jack

This is an input jack for an external clock. If a VCO-1 square wave or the like is input into this jack, the SAMPLE & HOLD will synchronize to the signal that is input.

e. Sample & hold input level slider

Adjusts the level of the signal that is input to the sample & hold circuit.

f. CLOCK RATE slider [0.2Hz...24Hz]

Adjusts the frequency of the internal clock.

g. ELECTRONIC SWITCH A jack

This is an analog switch that synchronizes to the clock. ELECTRONIC SWITCH B and C are used together.

h. ELECTRONIC SWITCH B jack

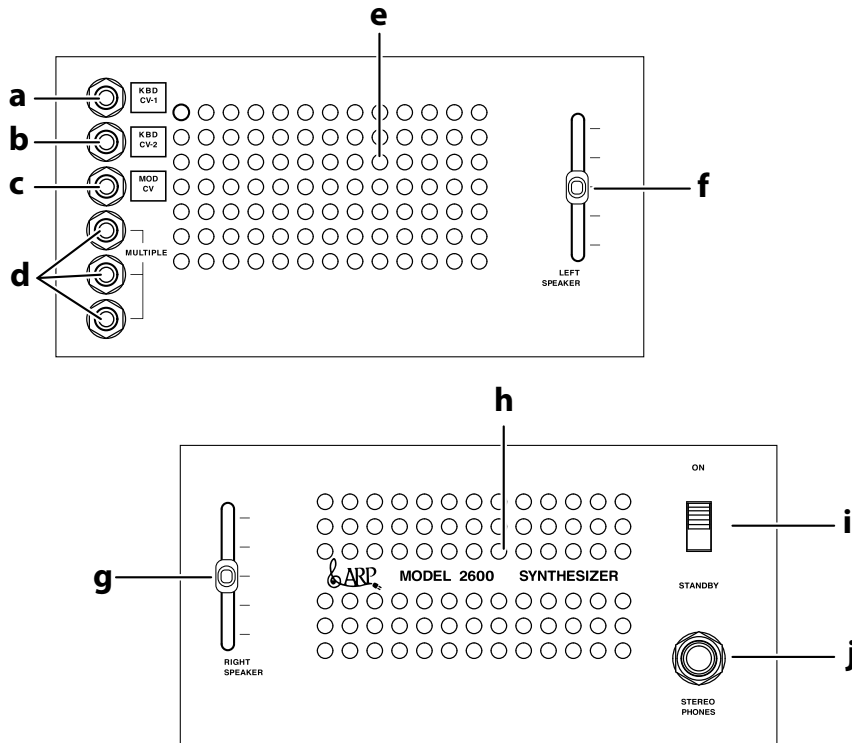
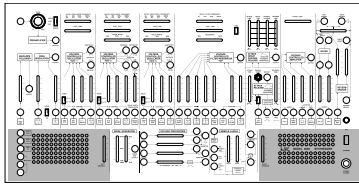
This is an analog switch that synchronizes to the clock. ELECTRONIC SWITCH A and C are used together.

i. ELECTRONIC SWITCH C jack

This is an analog switch that synchronizes to the clock. ELECTRONIC SWITCH A and B are used together. Jacks A-C and jacks B-C are alternately connected in synchronization with the clock.

Tip: For example if jack A is connected to LEFT INPUT, jack B is connected to RIGHT INPUT, and jack C is connected to an audio signal, an auto-pan effect is obtained.

Front panel (SPEAKER section L, SPEAKER section R)



SPEAKER section L

a. KBD CV-1 jack

The pitch CVs corresponding to the note-on messages received via your connected MIDI controller will be output. If more than one note-on message is received, a pitch CV corresponding to the lower note-on is output.

Tip: The KBD CV input voltage of a VCO or the VCF is the same as the output voltage of this KBD CV-1 jack.

b. KBD CV-2 jack

The pitch CVs corresponding to the note-on messages received via your connected MIDI controller will be output. If more than one note-on message is received, a pitch CV corresponding to the higher note-on is output.

Tip: For details on the pitch CV voltage when multiple keys are pressed, refer to "Voice assign mode settings" on page 21.

c. MOD CV jack

The CVs corresponding to the modulation messages (CC#01) received via your connected MIDI controller will be output.

The CV changes from approximately 0 V to +7 V.

d. MULTIPLE jacks

These are general-purpose signal distribution jacks (paralleled) that can be used for either audio signals or control signals.

e. Internal speaker L

f. LEFT SPEAKER slider

Adjusts the volume of internal speaker L. When headphones are connected, this slider controls the volume for the left headphones channel.

SPEAKER section R

g. RIGHT SPEAKER slider

Adjusts the volume of internal speaker R. When headphones are connected, this slider controls the volume for the right headphones channel.


h. Internal speaker R

i. Power switch

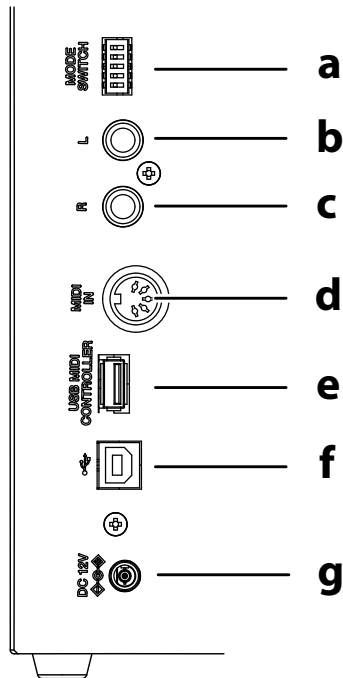
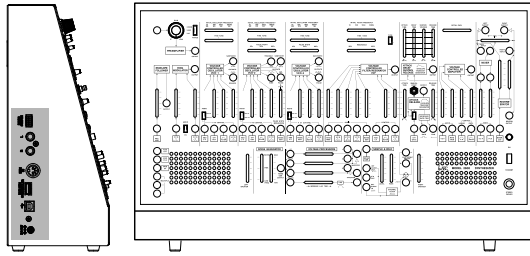
This turns the power on/off.

j. STEREO PHONES jack

Connect your headphones here. This is a $\phi 6.3$ mm (1/4") stereo phone jack.

 The internal speakers will shut off when headphones are connected.

Side panel (mode switches, main output jacks, MIDI, USB, power connector)



MODE SWITCH

This switch lets you set the MIDI channel and the auto power-off setting.

a. MODE SWITCH1-5

The combination of switches 1-4 specifies MIDI channel 1-16 (see “MIDI channel” on page 22). Switch 5 enables or disables the auto power-off function (see “Changing the auto power-off setting” on page 19).

Main output jacks

b. Main output L

Outputs the L channel audio signal of this unit. This is a standard 6.3 mm (1/4”) jack.

c. Main output R

Outputs the R channel audio signal of this unit. This is a standard 6.3 mm (1/4”) jack.

MIDI

d. MIDI IN jack

Connect your MIDI controller to the ARP 2600 M with a MIDI cable to allow the ARP 2600 M to receive MIDI data.

USB

e. USB MIDI CONTROLLER port

Directly connect your MIDI controller to this port with a USB cable to allow the ARP 2600 M to receive MIDI data.

⚠ This port is used for receiving USB MIDI messages only. When connecting a computer, use the USB B port (component “f”).

⚠ For USB-MIDI controllers that consume a lot of power, use the power adapter included with the controller.

⚠ USB-MIDI controllers with USB hub functionality cannot be used.

f. USB B port

You can connect a computer to this port to transmit and receive MIDI data.

Power connector

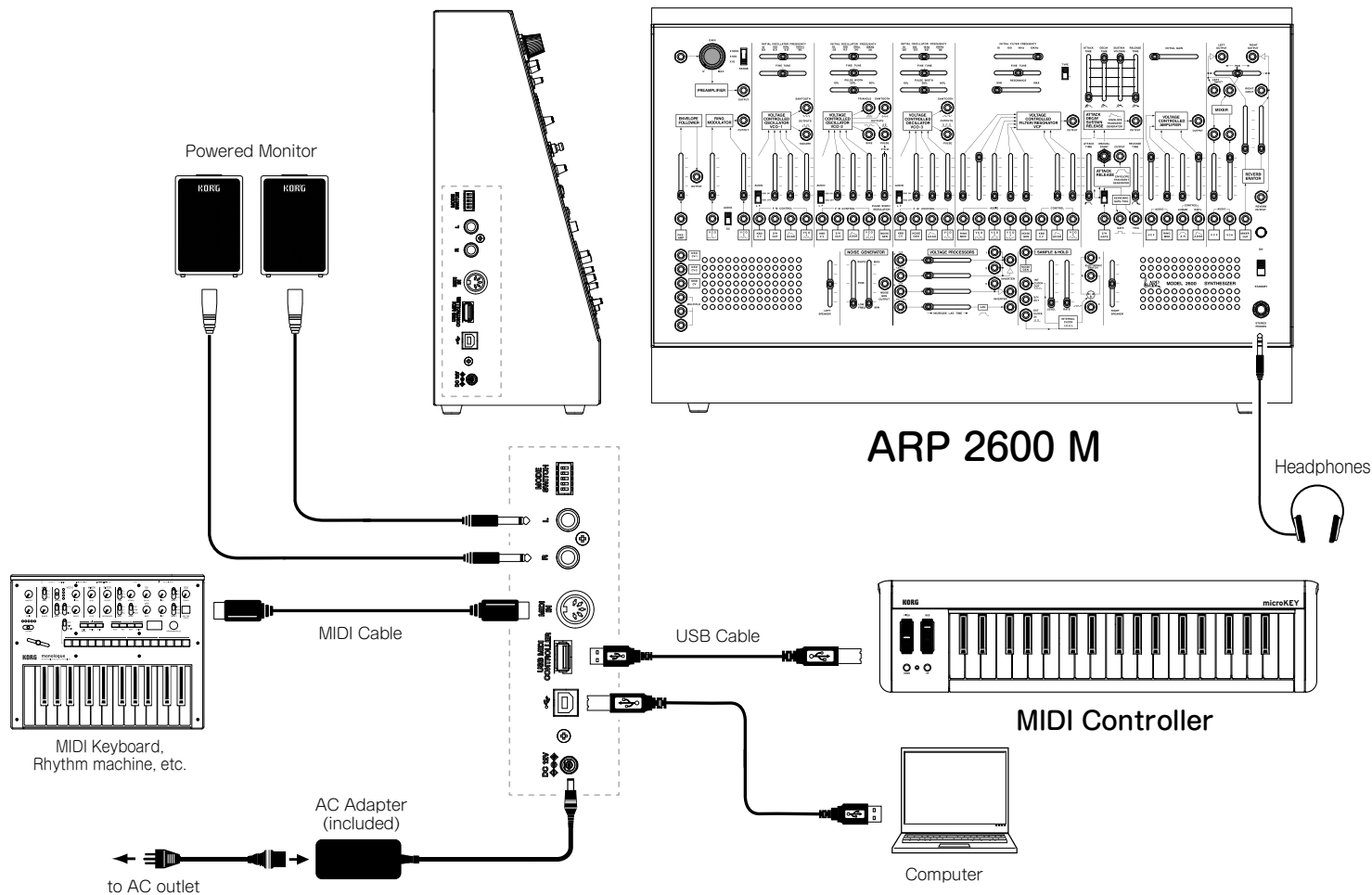
g. DC 12V jack

Connect the included AC adapter here.

Getting started

Connections

The following illustration shows an example of typical connections. Connect your equipment as appropriate for your needs.



Turning the power on

Check the following before you turn the power on.

- Make sure that you're using an AC outlet that supplies the correct voltage for your unit.
 - Use only the included AC adapter.
 - If you're connecting to an external output device such as a mixer or a powered monitor speaker, minimize its volume and turn off its power.
 - Make sure that the ARP 2600 M's power is off.
1. Lower this unit's LEFT SPEAKER slider and RIGHT SPEAKER slider to the minimum position.
 2. Connect the included AC adapter's DC plug to the AC adapter connector located on the ARP 2600 M's side panel.
 3. Plug the power cord into an AC outlet.
 4. Connect the power cord to the AC adapter.
 5. When you turn this unit's power switch ON, the power supply LED is lit, and the power turns on. Lower the volume of your powered monitors or other external output equipment before you turn the power on.
 6. Adjust this unit's LEFT SPEAKER slider and RIGHT SPEAKER slider. If external output equipment is connected, raise the volume of that equipment as appropriate.

Tip: If the AC adapter is disconnected while the ARP 2600 M is turned on or if the auto power off function has been enabled, the device may have turned off without the power switch in the off position. Before turning on the ARP 2600 M again, you'll have to turn it off.

Tip: If you are not familiar with how to create sounds, we suggest that you now adjust the settings as described in the "Basic settings" section.

Turning the power off

1. Lower the volume of your powered monitors or external output system, and turn their power off.
2. When you set this unit's power switch to the STANDBY position, the power supply LED goes dark, and the power turns off.

Auto power-off function

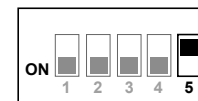
The ARP 2600 M has an auto power-off function that automatically turns the power off when approximately four hours have elapsed since the instrument was last played or used. With the factory settings, the auto power-off function is enabled.

Changing the auto power-off setting

If desired, you can enable or disable the auto power-off function.

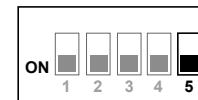
Disabling the auto power-off function

On side panel L, set MODE SWITCH 5 off (upward position). The auto power-off function is disabled; you don't have to turn the power off and on again to apply the setting.



Enabling the auto power-off function

On side panel L, set MODE SWITCH 5 on (downward position). The auto power-off function is enabled; you don't have to turn the power off and on again to apply the setting.



Let's make some sounds

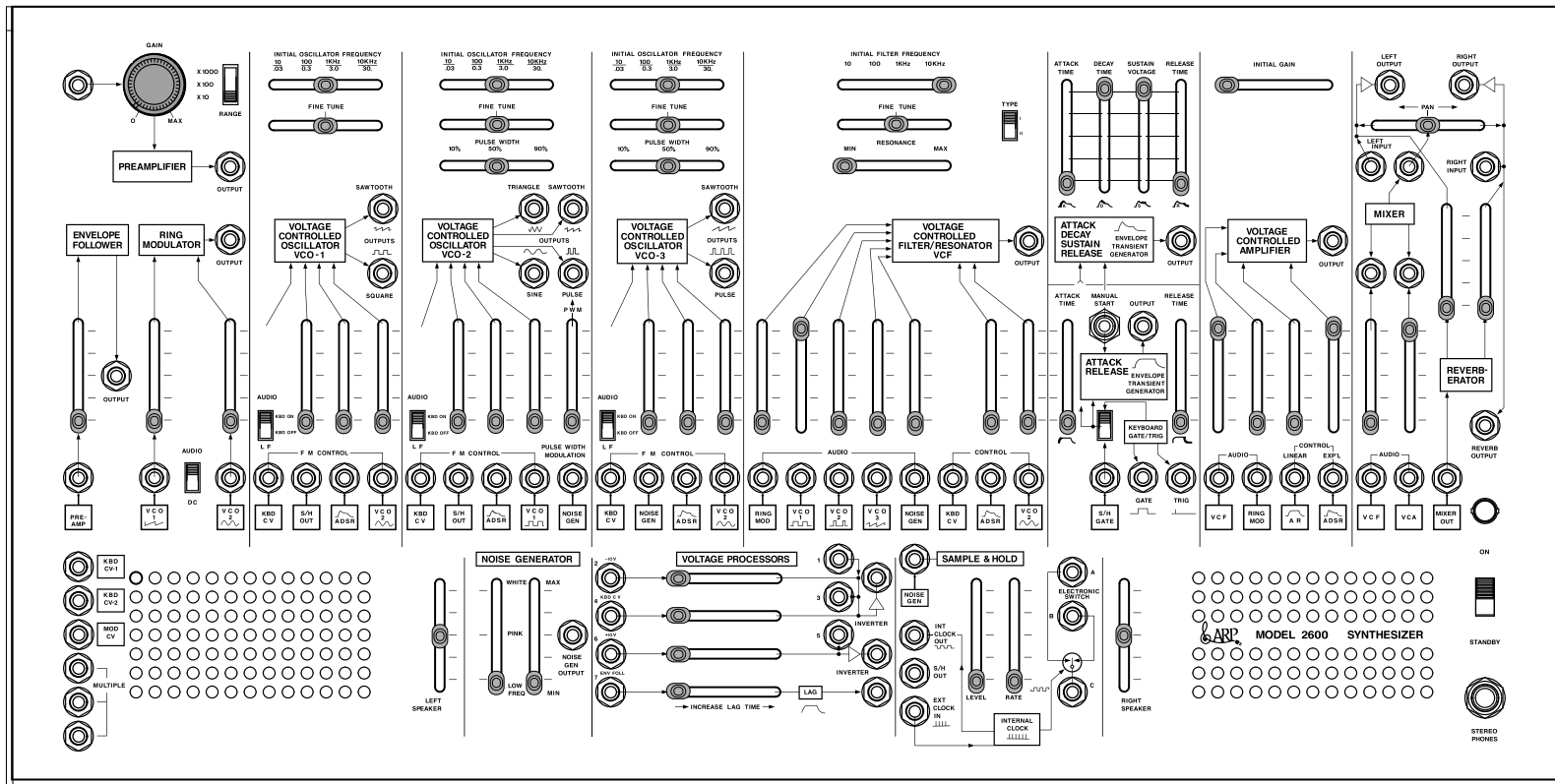
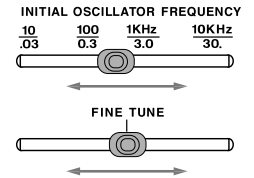
Basic settings

Set the ARP 2600 M's controls (sliders, switches, etc.) as shown in the illustration below.

When you play the keyboard with these settings, the sound of the VCO-1 square wave is output by itself. To adjust the volume, use the MIXER section's input level 2 slider (see "MIXER" on page 13).

Tuning

After you set this unit to the basic settings described previously, adjust the FINE TUNE slider of each VCO to the correct pitch using a commercially available tuner (such as the Korg CA-50).



Voice assign mode settings

The ARP 2600 M functions as a duophonic synthesizer (two sounds can be played at the same time). There are two different methods (voice assign modes) of outputting the pitch CV when two MIDI note on messages are received, and you can configure this when starting up the unit.

Normal mode (default)

This is the factory-set mode. When two note-on messages are received, the lowest note is output as KBD CV-1, and the highest note is output as KBD CV-2 (UPPER VOICE).

Original mode

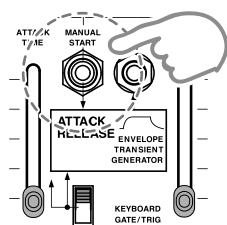
This mode reproduces the operation of the original ARP 3620 keyboard unit. This is the same as normal mode in that the lowest note is output as KBD CV-1 and the highest note is output as KBD CV-2 (UPPER VOICE), but differs in that the lowest note and highest note continue being held until the gate signal turns on (the first key is played).

Setting the mode

1. Turn on the power of the ARP 2600 M while holding down the MANUAL START switch on the panel.
2. When the power lamp lights, release and press the MANUAL START switch consecutively. Press the switch three times for Normal mode, and four times for Original mode.
3. The settings will be stored in memory (the power lamp blinks), and the unit will start up normally.

- ⚠ After you change this setting, wait for several seconds (while the power lamp is blinking) before turning off the power. Failure to do so might damage the data, causing malfunctions.

Tip: The voice assign mode function setting is remembered even after the power is turned off.



Setting the trigger mode

Selects how the ADSR circuit starts operating (is triggered) when consecutive note-on occurs.

Multiple trigger mode (default)

The ADSR circuit is triggered by each note-on.

Single trigger mode

This mode is used when playing legato, as a new note-on will not trigger the ADSR circuit until the ADSR release time has ended.

Setting the trigger mode

1. Turn on the power of the ARP 2600 M while holding down the MANUAL START switch on the panel.
2. When the power lamp lights, release and press the MANUAL START switch consecutively. Press the switch five times for multiple trigger mode, and six times for single trigger mode.
3. The settings will be stored in memory (the power lamp blinks), and the unit will start up normally.

- ⚠ TRIGGER MODE does not apply to the AR circuit.
- ⚠ After you change this setting, wait for several seconds (while the power lamp is blinking) before turning off the power. Failure to do so might damage the data, causing malfunctions.

Tip: The trigger mode settings will remain in memory even after the power is turned off.

About MIDI

Connecting MIDI devices

By connecting the ARP 2600 M to a computer or external MIDI sequencer, you can control the sound generator of the ARP 2600 M from an external device. Use a commercially available MIDI cable to connect the ARP 2600 M's MIDI IN connector to the MIDI OUT connector of your external MIDI device (see "Connections" on page 18).

MIDI IN connector: This receives MIDI messages from other MIDI devices. Connect this connector to the MIDI OUT connector of the other device. The MIDI messages that can be received through the MIDI IN connector on the ARP 2600 M include note messages, pitch bend, modulation and portamento.

- ▲ Note messages (velocity is ignored) are the only type of MIDI messages that the ARP 2600 M can receive via its MIDI IN connector. The range of notes that can be received is 012 (C0)–127 (G9).

MIDI channel

MIDI has sixteen channels, 1–16.

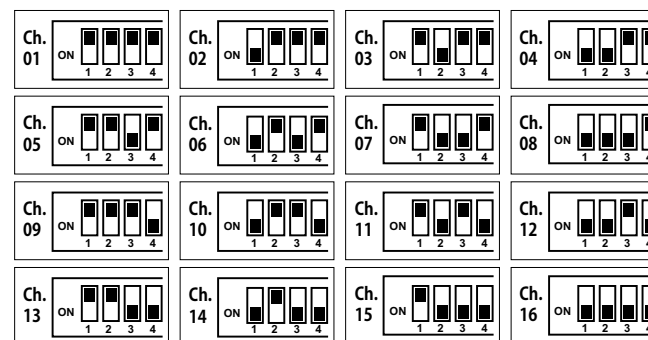
If you connect an external MIDI device, you must set the MIDI channel of the ARP 2600 M to match the MIDI channel of your external MIDI device. With the factory settings, this is set to channel 1.

Tip: For details on how to set the MIDI channel of your external device, refer to its operating manual.

Setting the MIDI channel of the ARP 2600 M

Use the rear panel MODE SWITCH 1–4 to specify the MIDI channel. The MIDI channel settings are shown in the following table. The MIDI channel changes immediately when you change the setting.

- ▲ Although you can change the MIDI channel during use, currently-sounding notes will turn off. Pitch bend is also reset.



Connecting a computer

Use a USB cable to directly connect the ARP 2600 M to a computer that's equipped with a USB port in order to receive MIDI messages in the same way as with the MIDI connectors (see "Connections" on page 18).

The only MIDI messages that can be transmitted or received via the USB port are note messages (both transmission and reception; the velocity is fixed at 64 for transmission and ignored for reception), pitch bend and modulation messages (reception only).

Tip: The only MIDI messages that are transmitted are note messages transmitted when the keyboard is played. Slider and switch operations do not transmit MIDI messages.

Tip: When connecting via USB, the KORG USB-MIDI driver must be installed. Download the latest version of the KORG USB-MIDI driver from the Korg website (<http://www.korg.com/>), and install it as directed by the documentation included with the driver.

About the MIDI implementation chart

The MIDI implementation chart lists the MIDI messages that can be transmitted and received. When using a MIDI device, compare the MIDI implementation charts to check that the MIDI messages are compatible. You can download the MIDI implementation chart for this device from the Korg website.

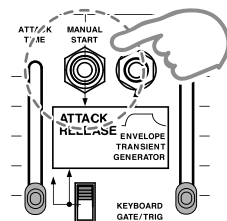
Tip: Detailed MIDI specifications are provided under MIDI implementation. For more information on MIDI implementation, visit the Korg Web site (<http://www.korg.com/>).

Restoring the factory settings

You can restore the voice assign mode and trigger mode settings to their original factory-set state.

How to restore the settings

1. Turn on the power of the ARP 2600 M while holding down the MANUAL START switch on the panel.
2. When the power lamp lights, release and press the MANUAL START switch eight times consecutively.
3. The settings will be loaded from memory (the power lamp blinks), and the unit will start up normally.



- ▲ After you change this setting, wait for several seconds (while the power lamp is blinking) before turning off the power. Failure to do so might damage the data, causing malfunctions.

Troubleshooting

Power won't turn on.

- Is the AC adapter correctly connected?

No sound.

- Remove all patch cables and try setting the panel settings on the ARP 2600 M to the "basic settings" (see "Basic settings" on page 20).
- Could the LEFT SPEAKER slider, RIGHT SPEAKER slider (see "Front panel (SPEAKER section L, SPEAKER section R)" on page 16), the VCA section's VCA AUDIO input level 1 slider (see "VCA (Voltage Controlled Amplifier)" on page 12), the MIXER section's input level 1 slider, or the input level 2 slider (see "MIXER" on page 13) be lowered all the way?
- Is the ARP 2600 M correctly connected to the input jack of your amp, mixer, or headphones?
- Is your amp or mixer powered-on, and is the volume raised on that device?
- Is a pair of headphones connected to this instrument?
Sound will not come out the speakers while the headphones are connected.

Does not respond to MIDI data sent from an external device.


- Is the MIDI cable or USB cable connected correctly? (see "Connections" on page 18)
- Does the MIDI channel of the data being sent from the external MIDI device match the global MIDI channel of the ARP 2600 M? (see "MIDI channel" on page 22)
- Does the USB-MIDI controller feature USB hub functionality?
USB-MIDI controllers with USB hub functionality cannot be used.

Can't input sound from an external audio source.

- Is an external audio source correctly connected to the input jack of the PREAMPLIFIER section? Also, could the GAIN knob be at 0? (see "PREAMPLIFIER" on page 6)
- Is the output jack of the PREAMPLIFIER section connected to the audio input of the VCF or MIXER?

Specifications

Operating temperature range:	0 – +40 °C (non-condensing)
Maximum Polyphony:	2 voices for duophonic; normally monophonic
VCO-1 (Voltage Controlled Oscillator 1)	
Waveforms:	Sawtooth, square
Frequency range:	Approx. 0.03 Hz – 30 Hz (low freq. mode) Approx. 10 Hz - 10 kHz (audio mode)
Voltage controlled response:	1 V/oct. (C3≈0V)
VCO-2 (Voltage Controlled Oscillator 2)	
Waveforms:	Sawtooth, pulse (dynamic pulse), triangle, sine
Frequency range:	Approx. 0.03 Hz - 30 Hz (low freq. mode) Approx. 10 Hz - 10 kHz (audio mode)
Pulse width:	10% – 90%
Voltage controlled response:	1 V/oct. (C3≈0V)
VCO-3 (Voltage Controlled Oscillator 3)	
Waveforms:	Sawtooth, pulse (dynamic pulse)
Frequency range:	Approx. 0.03 Hz - 30 Hz (low freq. mode) Approx. 10 Hz - 10 kHz (audio mode)
Pulse width:	10% – 90%
Voltage controlled response:	1 V/oct. (C3≈0V)
VCF (Voltage Controlled Filter)	
Type:	Low-pass (TYPE I : early 24 dB/oct., TYPE II: late 24 dB/oct.)
Frequency range:	Approx. 10 Hz – 10 kHz
Resonance:	1/2 - self oscillate
VCA (Voltage Controlled Amplifier)	
Control voltage:	AR type (internally connected) ADSR type (internally connected)
Noise generator:	Noise spectrum types (white and pink)
RING MODULATOR	
Type:	Analog multiplier
Input signal (Internally connected):	VCO-1 sawtooth wave, VCO-2 sine wave
SAMPLE & HOLD	
Sampled signal:	Noise (internally connected)
AUDIO OUTPUT JACKS	
Front Panel (LEFT, RIGHT OUTPUT jacks)	
Connector:	φ3.5 mm monaural phone jack

Maximum output level:	+9 dBu @ 10 kΩ load
Output impedance:	1.2 kΩ
Side Panel	
Connector:	φ6.3 mm monaural phone jack
Maximum output level:	+4 dBu @ 600 Ω load
Output impedance:	1.2 kΩ
HEADPHONES JACK	
Connector:	φ6.3 mm stereo phone jack
Maximum output level:	50 mW + 50 mW @ 33 Ω load
Output impedance:	20 Ω
EXTERNAL AUDIO INPUT (PREAMPLIFIER INPUT) JACK	
Connector:	φ3.5 mm monaural phone jack
Maximum input level:	-10 dBu
Input impedance:	100 kΩ
MIDI connector:	IN
USB port:	Type A, Type B
Power supply:	AC adapter (DC 12V, )
Power consumption:	13 W
Dimensions (W × D × H), Weight:	520 × 129 × 311 mm / 20.47 × 5.08 × 12.24 inches, 6.0 kg / 13.23 lbs.
Included items:	Hard case, AC adapter, Patch cables (x 10), Owner's manual
Accessories (Sold separately):	microKEY 2 Series, SQ-64, etc.
* Specifications and appearance are subject to change without notice for improvement.	

Précautions

Emplacement

L'utilisation de cet instrument dans les endroits suivants peut entraîner le mauvais fonctionnement.

- En plein soleil
- Endroits très chauds ou très humides
- Endroits sales ou fort poussiéreux
- Endroits soumis à de fortes vibrations
- A proximité de champs magnétiques

Alimentation

Branchez l'adaptateur secteur mentionné à une prise secteur de tension appropriée. Evitez de brancher l'adaptateur à une prise de courant dont la tension ne correspond pas à celle pour laquelle l'appareil est conçu.

Interférences avec d'autres appareils électriques

Les postes de radio et de télévision situés à proximité peuvent par conséquent souffrir d'interférences à la réception. Veuillez dès lors faire fonctionner cet appareil à une distance raisonnable de postes de radio et de télévision.

Maniement

Pour éviter de les endommager, manipulez les commandes et les boutons de cet instrument avec soin.

Entretien

Lorsque l'instrument se salit, nettoyez-le avec un chiffon propre et sec. Ne vous servez pas d'agents de nettoyage liquides tels que du benzène ou du diluant, voire des produits inflammables.

Conservez ce manuel

Après avoir lu ce manuel, veuillez le conserver soigneusement pour toute référence ultérieure.

Evitez toute intrusion d'objets ou de liquide

Ne placez jamais de récipient contenant du liquide près de l'instrument. Si le liquide se renverse ou coule, il risque de provoquer des dommages, un court-circuit ou une électrocution. Veillez à ne pas laisser tomber des objets métalliques dans le boîtier (trombones, par ex.). Si cela se produit, débranchez l'alimentation de la prise de courant et contactez votre revendeur korg le plus proche ou la surface où vous avez acheté l'instrument.

Note concernant les dispositions (Seulement EU)



Quand un symbole avec une poubelle barrée d'une croix apparaît sur le produit, le mode d'emploi, les piles ou le pack de piles, cela signifie que ce produit, manuel ou piles doit être déposé chez un représentant compétent, et non pas dans une poubelle ou toute autre déchetterie conventionnelle.



Disposer de cette manière, de prévenir les dommages pour la santé humaine et les dommages potentiels pour l'environnement. La bonne méthode d'élimination dépendra des lois et règlements applicables dans votre localité, s'il vous plaît, contactez votre organisme administratif pour plus de détails.

Si la pile contient des métaux lourds au-delà du seuil réglementé, un symbole chimique est affiché en dessous du symbole de la poubelle barrée d'une croix sur la pile ou le pack de piles.

REMARQUE IMPORTANTE POUR LES CLIENTS

Ce produit a été fabriqué suivant des spécifications sévères et des besoins en tension applicables dans le pays où ce produit doit être utilisé.

Si vous avez acheté ce produit via l'internet, par vente par correspondance ou/et vente par téléphone, vous devez vérifier que ce produit est bien utilisable dans le pays où vous résidez.

ATTENTION: L'utilisation de ce produit dans un pays autre que celui pour lequel il a été conçu peut être dangereuse et annulera la garantie du fabricant ou du distributeur. Conservez bien votre récépissé qui est la preuve de votre achat, faute de quoi votre produit ne risque de ne plus être couvert par la garantie du fabricant ou du distributeur.

* Tous les noms de produits et de sociétés sont des marques commerciales ou déposées de leur détenteur respectif.

Sommaire

Un mot à propos de l'ARP 2600 M	26	Préparations	40
Petit historique du synthétiseur		Connexions.....	40
ARP 2600	26	Mise sous tension	41
Caractéristiques principales	26	Mise hors tension	41
Schéma de principe	27	Fonction de mise hors tension automatique.....	41
Description des panneaux et fonctions	28	Production de sons	42
Panneau avant (section PREAMPLIFIER, ENVELOPE FOLLOWER, RING MODULATOR)	28	Réglages de base	42
Panneau avant (section VCO-1) ...	29	Réglage d'accord	42
Panneau avant (section VCO-2) ...	30	Réglages de mode d'assignation des voix	43
Panneau avant (section VCO-3) ...	31	Réglage du mode de déclenchement.....	43
Panneau avant (section VCF)	32	À propos de MIDI	44
Panneau avant (section ADSR EG/ AR EG).....	33	Connexion de dispositifs MIDI....	44
Panneau avant (section VCA)	34	Connexion à un ordinateur.....	44
Panneau avant (section MIXER, REVERB)	35	À propos du tableau d'implémentation MIDI.....	45
Panneau avant (section NOISE GENERATOR, VOLTAGE PROCESSORS)	36	Rétablir les réglages d'usine.....	45
Panneau avant (section SAMPLE & HOLD).....	37	Dépannage	45
Panneau avant (section SPEAKER L, section SPEAKER R)	38	Fiche technique	46
Panneau latéral (commutateurs MODE SWITCH, prises de sortie principale, prise MIDI port USB et prise d'alimentation)	39		

Un mot à propos de l'ARP 2600 M

Petit historique du synthétiseur ARP 2600

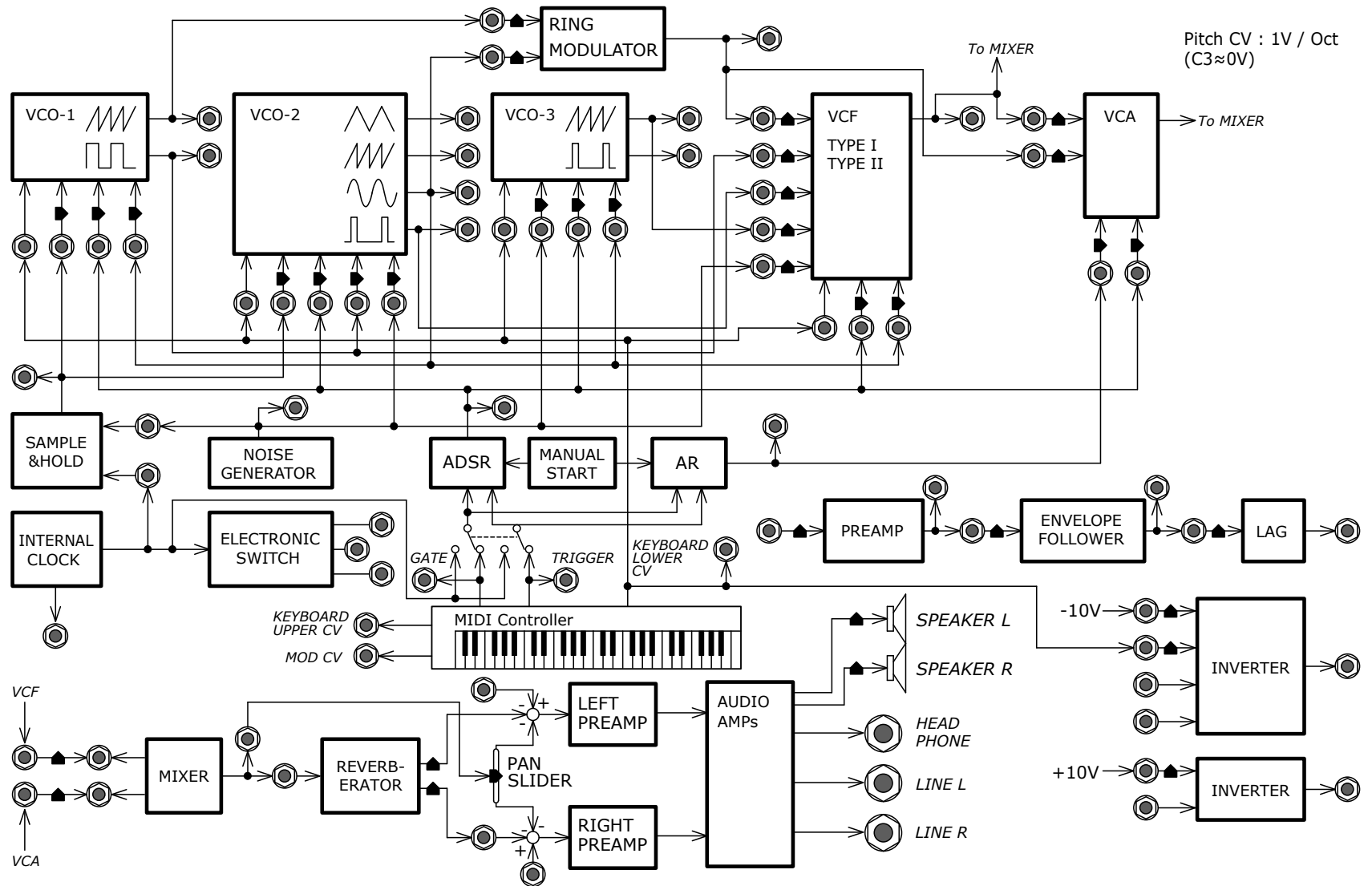
Produit et vendu entre 1971 et 1981, le synthétiseur ARP 2600 est un des produits-phares d'ARP Instruments, Inc. À l'exception des tout premiers modèles avec boîtier en métal, le 2600 est célèbre pour sa construction de style valise intégrant un module de synthé et un module de clavier distincts.

À une époque où les vastes systèmes modulaires étaient encore la norme, l'ARP 2600 offrait un format de synthétiseur semi modulaire transportable. Les modules principaux étant pré-connectés en interne, l'instrument permettait de produire instantanément des sons sans aucun câble, mais aussi de concevoir des sons extrêmement complexes en connectant des câbles. Vu son riche potentiel de création sonore, l'ARP 2600 est utilisé par de nombreux artistes lors de sessions d'enregistrement, mais aussi pour la production de bandes originales de films ainsi qu'à des fins pédagogiques. Il se distingue aussi par ses haut-parleurs intégrés et sa réverbération à ressort.

Caractéristiques principales

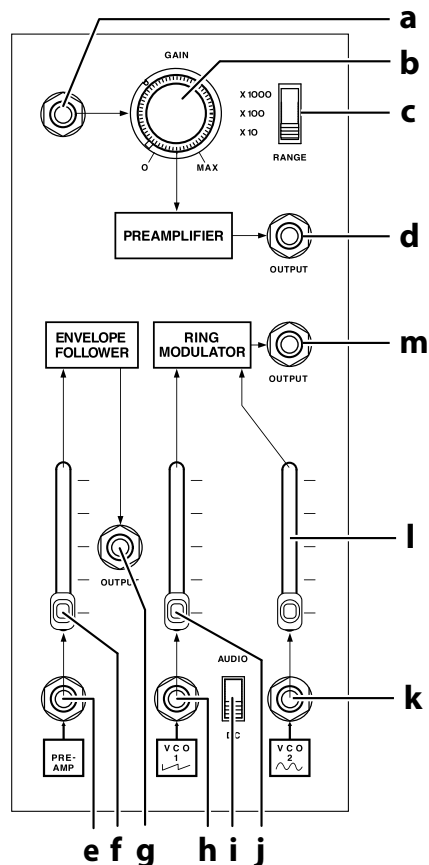
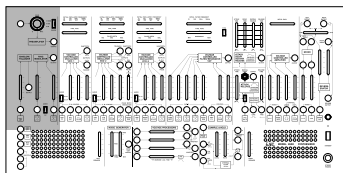
- L'ARP 2600 M est un synthétiseur authentique et d'une portabilité remarquable, combinant le design et l'ensemble des fonctions du ARP 2600 original dans un boîtier 'raboté' à 60% de l'instrument original.
- Doté de VCO, VCF et VCA reposant sur les circuits analogiques de l'ARP 2600 original, cet instrument offre un potentiel de création sonore dépassant de loin celui des synthés analogiques conventionnels et vous met aux commandes d'une synthèse flexible et riche en improvisation.
- Les câbles à fiches minijack mono fournis permettent des connexions (alias 'patching') ultra-flexibles. Vu que chaque module est connecté en interne à la sortie d'usine, vous pouvez aussi utiliser l'instrument sans le moindre câble.
- Un sélecteur permet de choisir entre deux types de VCF (anciens modèles et modèles plus récents).
- L'instrument propose deux types de générateurs d'enveloppe: "ADSR" et "AR".
- L'entrée pour source audio externe permet d'acheminer et de traiter le son d'une guitare ou d'un micro, par exemple.
- Le port USB et les prises MIDI permettent de brancher l'instrument à un ordinateur ou à des dispositifs MIDI.
- L'ARP 2600 M comporte un port USB MIDI CONTROLLER permettant de brancher directement le synthétiseur à un contrôleur MIDI sans nécessiter d'interface USB-MIDI. (Les contrôleurs MIDI dotés d'une fonction de concentrateur USB ne sont pas pris en charge.)

Schéma de principe



Description des panneaux et fonctions

Panneau avant (section PREAMPLIFIER, ENVELOPE FOLLOWER, RING MODULATOR)



PREAMPLIFIER

- a. **Prise d'entrée**
Reçoit le signal audio d'une source comme un micro, une guitare électrique, etc.
- b. **Commande GAIN**[0...MAX]
Règle le gain du préampli.
- c. **Sélecteur RANGE**[x10, x100, x1000]
Change le rapport d'amplification du préampli.
- d. **Prise de sortie**
Délivre le signal amplifié par le préampli.

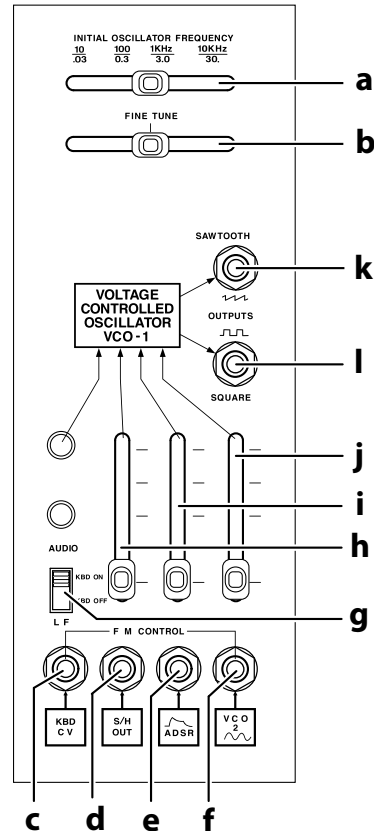
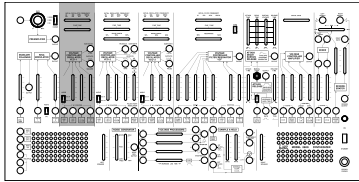
ENVELOPE FOLLOWER

- e. **Prise d'entrée**
Transmet le signal reçu au suiveur d'enveloppe ('envelope follower'). La sortie préampli est connectée en interne.
- f. **Curseur de niveau d'entrée**
Règle le niveau d'entrée du signal transmis au suiveur d'enveloppe.
- g. **Prise de sortie**
Il s'agit de la prise de sortie du suiveur d'enveloppe. Elle transmet un contour du signal d'entrée.

RING MODULATOR

- h. **Prise d'entrée 1**
Transmet le signal initial reçu au modulateur en anneau ('ring modulator'). L'onde en dents de scie du VCO-1 est connectée en interne.
- i. **Sélecteur d'entrée**[AUDIO, DC]
Placez ce sélecteur sur AUDIO pour éliminer le décalage de courant continu (DC) du signal d'entrée. Quand ce sélecteur est sur DC, le signal d'entrée est transmis tel quel au modulateur en anneau. Choisissez cette position lorsque vous transmettez un signal CV (tension de commande).
- j. **Curseur de niveau d'entrée 1**
Règle le niveau d'entrée du signal reçu à la prise d'entrée 1. L'onde en dents de scie du VCO-1 est connectée en interne.
- k. **Prise d'entrée 2**
Transmet le deuxième signal reçu au modulateur en anneau. L'onde sinusoïdale du VCO-2 est connectée en interne.
- l. **Curseur de niveau d'entrée 2**
Règle le niveau d'entrée du signal reçu à la prise d'entrée 2.
- m. **Prise de sortie**
Il s'agit de la prise de sortie du modulateur en anneau. Elle délivre un signal produit en multipliant les deux signaux reçus.

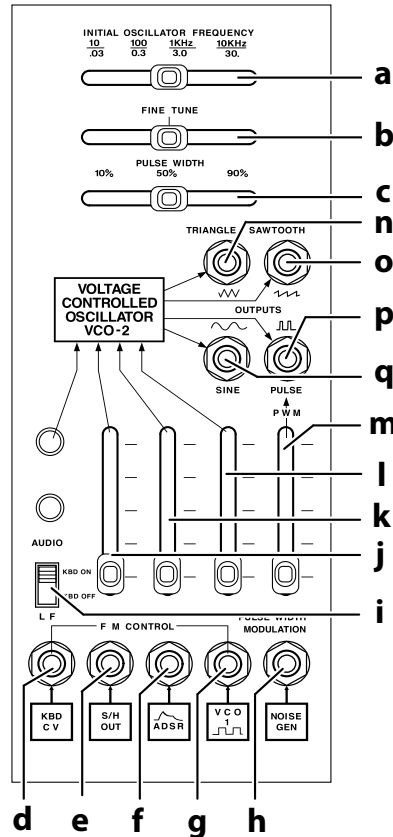
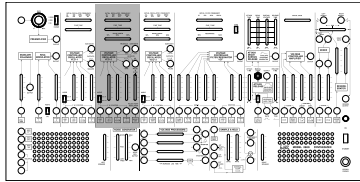
Panneau avant (section VCO-1)



VCO-1 (oscillateur commandé en tension 1)

- a. **Curseur INITIAL OSCILLATOR FREQUENCY**[10(.03)Hz...10K(30.)Hz]
Effectue un réglage approximatif de hauteur du VCO-1.
▲ La plage de fréquence est une valeur approximative.
- b. **Curseur FINE TUNE**
Effectue un réglage précis de hauteur du VCO-1.
- c. **Prise d'entrée CV 1**
Il s'agit de la prise d'entrée pour la tension de commande du VCO-1. La tension de commande du clavier (KBD CV) est connectée en interne.
- d. **Prise d'entrée CV 2**
Il s'agit de la prise d'entrée pour la tension de commande du VCO-1. La sortie d'échantillonnage-blocage (S/H OUT) est connectée en interne.
- e. **Prise d'entrée CV 3**
Il s'agit de la prise d'entrée pour la tension de commande du VCO-1. L'enveloppe (ADSR) est connectée en interne.
- f. **Prise d'entrée CV 4**
Il s'agit de la prise d'entrée pour la tension de commande du VCO-1. L'onde sinusoïdale du VCO-2 est connectée en interne.
- g. **Sélecteur AUDIO/LF** [KBD ON, KBD OFF]
Détermine si le VCO-1 sert de signal audio ou de LFO. Quand VCO-1 sert de LFO (KBD OFF), la tension de commande du clavier (KBD CV) n'est plus transmise au VCO-1.
- h. **Curseur d'entrée CV 2**
Règle le niveau du signal reçu à l'entrée CV 2 du VCO-1.
- i. **Curseur d'entrée CV 3**
Règle le niveau du signal reçu à l'entrée CV 3 du VCO-1.
- j. **Curseur d'entrée CV 4**
Règle le niveau du signal reçu à l'entrée CV 4 du VCO-1.
- k. **Prise de sortie SAWTOOTH**
Délivre l'onde en dents de scie du VCO-1.
- l. **Prise de sortie SQUARE**
Délivre l'onde carrée du VCO-1.

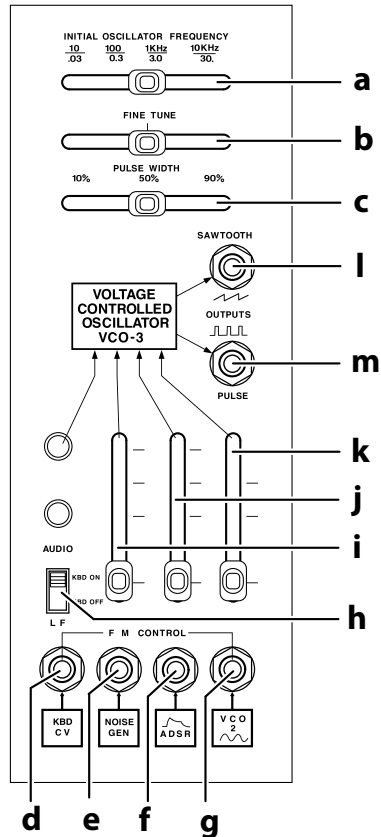
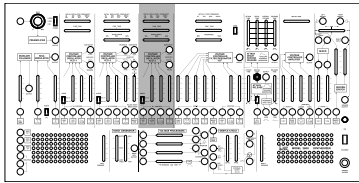
Panneau avant (section VCO-2)



VCO-2 (oscillateur commandé en tension 2)

- a. Curseur INITIAL OSCILLATOR FREQUENCY**
..... [10(.03)Hz...10K(30.)Hz]
Effectue un réglage approximatif de hauteur du VCO-2.
▲ La plage de fréquence est une valeur approximative.
- b. Curseur FINE TUNE**
Effectue un réglage précis de hauteur du VCO-2.
- c. Curseur PULSE WIDTH**
..... [10%...90%]
Règle le cycle opératoire de l'onde à pulsation du VCO-2.
- d. Prise d'entrée CV 1**
Il s'agit de la prise d'entrée pour la tension de commande du VCO-2. La tension de commande du clavier (KBD CV) est connectée en interne.
- e. Prise d'entrée CV 2**
Il s'agit de la prise d'entrée pour la tension de commande du VCO-2. La sortie d'échantillonnage-blocage (S/H OUT) est connectée en interne.
- f. Prise d'entrée CV 3**
Il s'agit de la prise d'entrée pour la tension de commande du VCO-2. L'enveloppe (ADSR) est connectée en interne.
- g. Prise d'entrée CV 4**
Il s'agit de la prise d'entrée pour la tension de commande du VCO-2. L'onde carrée du VCO-1 est connectée en interne.
- h. Prise d'entrée PULSE WIDTH MODULATION**
Il s'agit de la prise d'entrée pour la tension de commande contrôlant le cycle opératoire de l'onde à pulsation produite par le VCO-2. Le générateur de bruit est connecté en interne.
- i. Sélecteur AUDIO/LF**
..... [KBD ON, KBD OFF]
Détermine si le VCO-2 sert de signal audio ou de LFO. Quand VCO-2 sert de LFO (KBD OFF), la tension de commande du clavier (KBD CV) n'est plus transmise au VCO-2.
- j. Curseur de niveau d'entrée CV 2**
Règle le niveau du signal reçu à l'entrée CV 2 du VCO-2.
- k. Curseur de niveau d'entrée CV 3**
Règle le niveau du signal reçu à l'entrée CV 3 du VCO-2.
- l. Curseur de niveau d'entrée CV 4**
Règle le niveau du signal reçu à l'entrée CV 4 du VCO-2.
- m. Curseur de niveau d'entrée PULSE WIDTH MODULATION**
Règle l'intensité de la modulation de largeur de pulsation.
- n. Prise de sortie TRIANGLE**
Délivre l'onde triangulaire du VCO-2.
- o. Prise de sortie SAWTOOTH**
Délivre l'onde en dents de scie du VCO-2.
- p. Prise de sortie PULSE**
Délivre l'onde à pulsation du VCO-2.
- q. Prise de sortie SINE**
Délivre l'onde sinusoïdale du VCO-2.

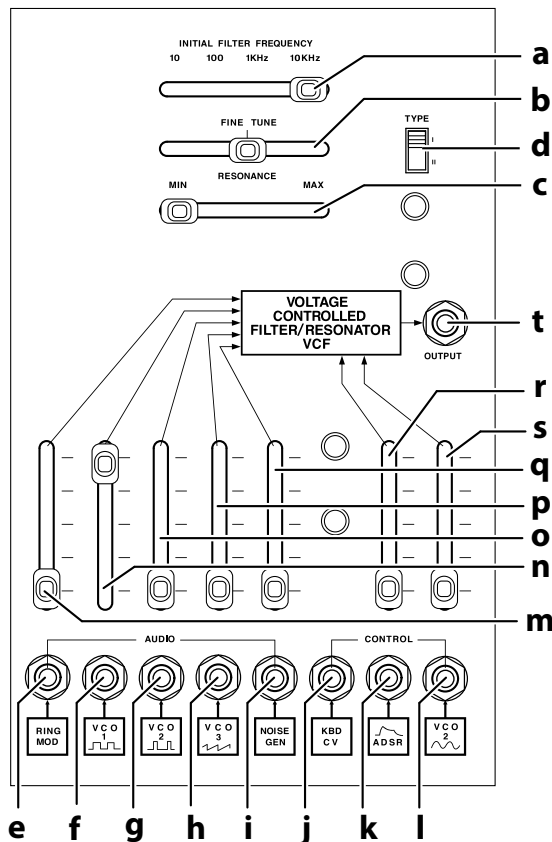
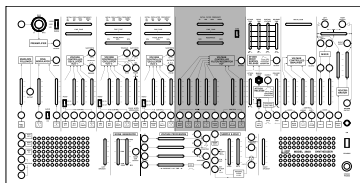
Panneau avant (section VCO-3)



VCO-3 (oscillateur commandé en tension 3)

- a. **Curseur INITIAL OSCILLATOR FREQUENCY**[10(.03)Hz...10K(30.)Hz]
Effectue un réglage approximatif de hauteur du VCO-3.
▲ La plage de fréquence est une valeur approximative.
- b. **Curseur FINE TUNE**
Effectue un réglage précis de hauteur du VCO-3.
- c. **Curseur PULSE WIDTH** [10%...90%]
Règle le cycle opératoire de l'onde à pulsation du VCO-3.
- d. **Prise d'entrée CV 1**
Il s'agit de la prise d'entrée pour la tension de commande du VCO-3. La tension de commande du clavier (KBD CV) est connectée en interne.
- e. **Prise d'entrée CV 2**
Il s'agit de la prise d'entrée pour la tension de commande du VCO-3. Le générateur de bruit est connecté en interne.
- f. **Prise d'entrée CV 3**
Il s'agit de la prise d'entrée pour la tension de commande du VCO-3. L'enveloppe (ADSR) est connectée en interne.
- g. **Prise d'entrée CV 4**
Il s'agit de la prise d'entrée pour la tension de commande du VCO-3. L'onde sinusoïdale du VCO-2 est connectée en interne.
- h. **Sélecteur AUDIO/LF** [KBD ON, KBD OFF]
Détermine si le VCO-3 sert de signal audio ou de LFO. Quand VCO-3 sert de LFO (KBD OFF), la tension de commande du clavier (KBD CV) n'est plus transmise au VCO-3.
- i. **Curseur de niveau d'entrée CV 2**
Règle le niveau du signal reçu à l'entrée CV 2 du VCO-3.
- j. **Curseur de niveau d'entrée CV 3**
Règle le niveau du signal reçu à l'entrée CV 3 du VCO-3.
- k. **Curseur de niveau d'entrée CV 4**
Règle le niveau du signal reçu à l'entrée CV 4 du VCO-3.
- l. **Prise de sortie SAWTOOTH**
Délivre l'onde en dents de scie du VCO-3.
- m. **Prise de sortie PULSE**
Délivre l'onde à pulsation du VCO-3.

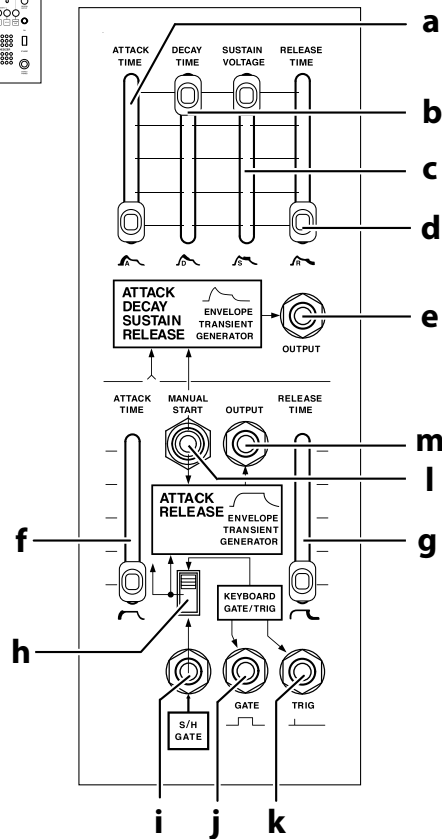
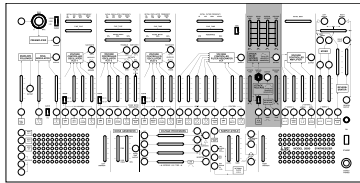
Panneau avant (section VCF)



VCF (filtre commandé en tension ou 'Voltage Controlled Filter')

- a. Curseur INITIAL FILTER FREQUENCY** [10Hz...10KHz]
Effectue un réglage approximatif de la fréquence de coupure du LPF (filtre passe-bas). Quand ce curseur est glissé à gauche, le filtre coupe la plage de l'aigu du signal d'entrée et adoucit le son. En glissant le curseur à droite, vous obtenez un son plus dur et brillant.
⚡ La plage de fréquence est une valeur approximative.
- b. Curseur FINE TUNE**
Effectue un réglage précis de la fréquence de coupure du LPF.
- c. Curseur RESONANCE**
Règle le niveau de résonance du filtre. Ce paramètre modifie le timbre en accentuant les harmoniques aux alentours de la fréquence de coupure. Une auto-oscillation (quand le VCF même produit un son) est générée à un certain point quand vous relevez le curseur.
- d. Sélecteur TYPE** [I, II]
Sélectionne le type (version) du VCF. TYPE I: anciens modèles de l'ARP 2600 TYPE II: modèles plus récents de l'ARP 2600
- e. Prise d'entrée AUDIO 1**
Cette prise d'entrée reçoit le signal audio pour le VCF. Le modulateur en anneau (RING MODULATOR) est connecté en interne.
- f. Prise d'entrée AUDIO 2**
Cette prise d'entrée reçoit le signal audio pour le VCF. L'onde carrée du VCO-1 est connectée en interne.
- g. Prise d'entrée AUDIO 3**
Cette prise d'entrée reçoit le signal audio pour le VCF. L'onde à pulsation du VCO-2 est connectée en interne.
- h. Prise d'entrée AUDIO 4**
Cette prise d'entrée reçoit le signal audio pour le VCF. L'onde en dents de scie du VCO-3 est connectée en interne.
- i. Prise d'entrée AUDIO 5**
Cette prise d'entrée reçoit le signal audio pour le VCF. Le générateur de bruit est connecté en interne.
- j. Prise d'entrée CV 1**
Cette prise d'entrée reçoit la
- k. Prise d'entrée CV 2**
Cette prise d'entrée reçoit la tension de commande contrôlant la fréquence de coupure du VCF. La tension de commande du clavier (KBD CV) est connectée en interne.
- l. Prise d'entrée CV 3**
Cette prise d'entrée reçoit la tension de commande contrôlant la fréquence de coupure du VCF. L'onde sinusoïdale du VCO-2 est connectée en interne.
- m. Curseur de niveau d'entrée AUDIO 1**
Règle le niveau du signal audio reçu à l'entrée AUDIO 1 du VCF.
- n. Curseur de niveau d'entrée AUDIO 2**
Règle le niveau du signal audio reçu à l'entrée AUDIO 2 du VCF.
- o. Curseur de niveau d'entrée AUDIO 3**
Règle le niveau du signal audio reçu à l'entrée AUDIO 3 du VCF.
- p. Curseur de niveau d'entrée AUDIO 4**
Règle le niveau du signal audio reçu à l'entrée AUDIO 4 du VCF.
- q. Curseur de niveau d'entrée AUDIO 5**
Règle le niveau du signal audio reçu à l'entrée AUDIO 5 du VCF.
- r. Curseur de niveau d'entrée CV 2**
Règle le niveau du signal reçu à l'entrée CV 2 du VCF.
- s. Curseur de niveau d'entrée CV 3**
Règle le niveau du signal reçu à l'entrée CV 3 du VCF.
- t. Prise de sortie**
Il s'agit de la prise de sortie du VCF.

Panneau avant (section ADSR EG/AR EG)



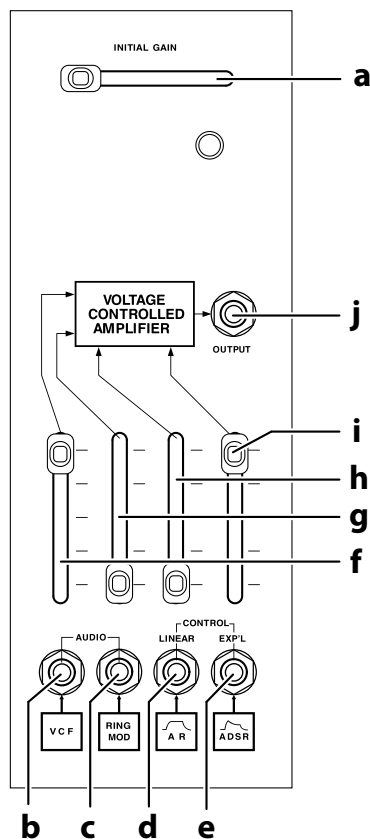
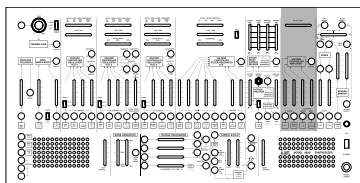
ADSR EG (générateur d'enveloppe)

- a. **Curseur ATTACK TIME**
Règle la vitesse d'attaque (ATTACK) du générateur d'enveloppe ADSR.
- b. **Curseur DECAY TIME**
Règle le temps de chute (DECAY) du générateur d'enveloppe ADSR.
- c. **Curseur SUSTAIN VOLTAGE**
Règle le niveau de maintien (SUSTAIN) du générateur d'enveloppe ADSR.
- d. **Curseur RELEASE TIME**
Règle le temps de relâchement (RELEASE) du générateur d'enveloppe ADSR.
- e. **Prise de sortie**
Il s'agit de la prise de sortie du générateur d'enveloppe ADSR.

AR EG (générateur d'enveloppe)

- f. **Curseur ATTACK TIME**
Règle la vitesse d'attaque (ATTACK) du générateur d'enveloppe AR.
- g. **Curseur RELEASE TIME**
Règle le temps de relâchement (RELEASE) du générateur d'enveloppe AR.
- h. **Sélecteur de source GATE/TRIG [S/H GATE, KEYBOARD GATE/TRIG]**
Détermine si le signal GATE/TRIGGER est reçu du S/H GATE ou du contrôleur MIDI.
- i. **Prise d'entrée GATE**
Reçoit le signal de Gate. Le Gate d'échantillonnage-blocage (S/H GATE) est connecté en interne.
- j. **Prise de sortie GATE**
Délivre le signal de Gate du contrôleur MIDI.
- k. **Prise de sortie TRIG**
Délivre le signal de déclenchement du contrôleur MIDI.
- l. **Bouton MANUAL START**
Une pression sur ce bouton produit un signal de Gate et génère un signal d'enveloppe ADSR/AR. Il est utile pour vérifier un son sans utiliser de contrôleur MIDI.
- m. **Prise de sortie**
Il s'agit de la prise de sortie du générateur d'enveloppe AR.

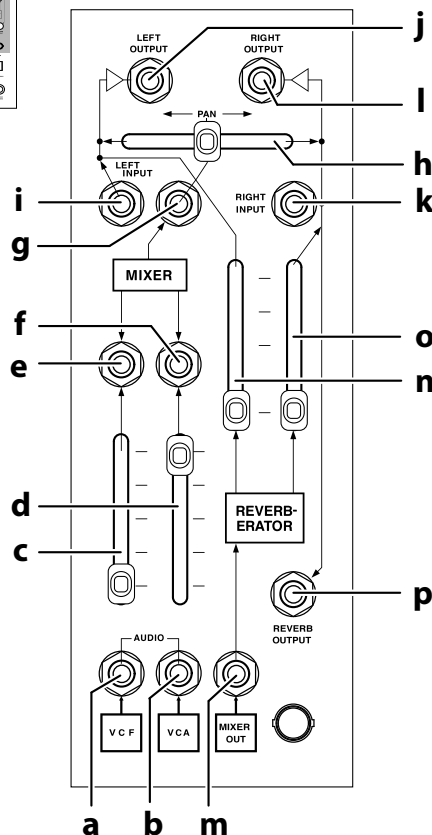
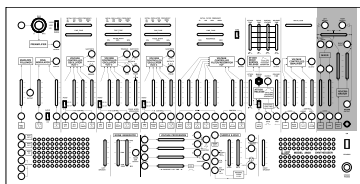
Panneau avant (section VCA)



VCA (amplificateur commandé en tension ou 'Voltage Controlled Amplifier')

- a. Curseur INITIAL GAIN**
Règle la tension de décalage CV du VCA.
- b. Prise d'entrée AUDIO 1**
Cette prise d'entrée reçoit le signal audio pour le VCA. Le VCF est connecté en interne.
- c. Prise d'entrée AUDIO 2**
Cette prise d'entrée reçoit le signal audio pour le VCA. Le modulateur en anneau est connecté en interne.
- d. Prise d'entrée CV 1**
Cette prise d'entrée reçoit la tension de commande contrôlant le gain du VCA. L'enveloppe AR est connectée en interne. L'intensité de gain du VCA est liée de façon proportionnelle à cette tension de commande.
- e. Prise d'entrée CV 2**
Cette prise d'entrée reçoit la tension de commande contrôlant la sortie du VCA. L'enveloppe ADSR est connectée en interne. L'intensité de gain du VCA est liée de façon exponentielle à cette tension de commande.
- f. Curseur de niveau d'entrée AUDIO 1**
Règle le niveau du signal audio reçu à l'entrée AUDIO 1 du VCA.
- g. Curseur de niveau d'entrée AUDIO 2**
Règle le niveau du signal audio reçu à l'entrée AUDIO 2 du VCA.
- h. Curseur de niveau d'entrée CV 1**
Règle le niveau du signal reçu à l'entrée CV 1 du VCA.
- i. Curseur de niveau d'entrée CV 2**
Règle le niveau du signal reçu à l'entrée CV 2 du VCA.
- j. Prise de sortie**
Il s'agit de la prise de sortie du VCA. Elle délivre un signal audio dont le volume varie selon les signaux CV de l'entrée CV 1 et de l'entrée CV 2.
⚠ Si le curseur INITIAL GAIN (a) est glissé à fond à droite, le signal audio est produit de façon continue.

Panneau avant (section MIXER, REVERB)



MIXER

- a. Prise d'entrée 1**
Il s'agit de la prise d'entrée du mélangeur (MIXER). La sortie VCF est connectée en interne.
- b. Prise d'entrée 2**
Il s'agit de la prise d'entrée du mélangeur (MIXER). La sortie VCA est connectée en interne.
- c. Curseur de niveau d'entrée 1**
Règle le niveau du signal audio reçu à l'entrée 1 du mélangeur.
- d. Curseur de niveau d'entrée 2**
Règle le niveau du signal audio reçu à l'entrée 2 du mélangeur.
- e. Prise de sortie AUDIO 1**
Il s'agit de la prise de sortie transmettant le signal dont le niveau est réglé avec l'élément "c" ci-dessus.
⚡ Quand vous branchez un câble à fiches minijack mono à cette prise, le signal audio n'est plus transmis au mélangeur.
- f. Prise de sortie AUDIO 2**
Il s'agit de la prise de sortie transmettant le signal dont le niveau est réglé avec l'élément "d" ci-dessus.
⚡ Quand vous branchez un câble à fiches minijack mono à cette prise, le signal audio n'est plus transmis au mélangeur.
- g. Prise d'entrée L/R**
Cette prise d'entrée reçoit le signal audio délivré par les canaux gauche et droit. La sortie mélangeur est connectée en interne.
- h. Curseur PAN**
Règle le panoramique (position dans l'image stéréo).

i. Prise LEFT INPUT

Cette prise d'entrée reçoit le signal du canal de sortie audio gauche.

j. Prise LEFT OUTPUT

Le signal audio délivré par cette prise correspond à la somme du signal de réverbération à ressort réglé avec n. et du signal reçu à la prise LEFT INPUT.

k. PRISE RIGHT INPUT

Cette prise d'entrée reçoit le signal du canal de sortie audio droit.

l. Prise RIGHT OUTPUT

Le signal audio délivré par cette prise correspond à la somme du signal de réverbération à ressort réglé avec o. et du signal reçu à la prise RIGHT INPUT.

REVERB

m. Prise d'entrée

Cette prise d'entrée reçoit le signal pour la réverbération à ressort. La sortie mélangeur est connectée en interne.

n. Curseur de niveau L

Règle le niveau du signal LEFT envoyé à la réverbération à ressort.

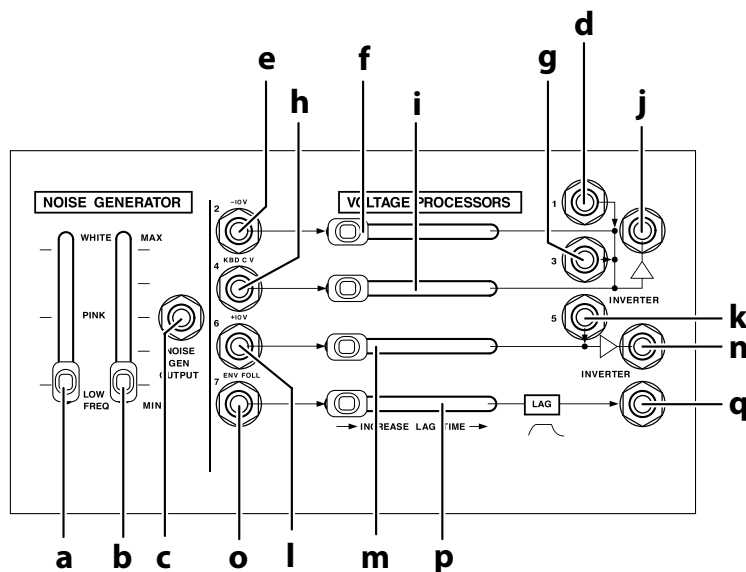
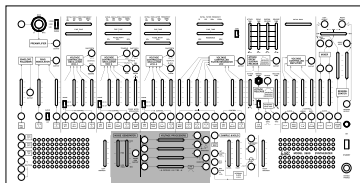
o. Curseur de niveau R

Règle le niveau du signal RIGHT envoyé à la réverbération à ressort.

p. Prise REVERB OUTPUT

Cette prise délivre le signal de réverbération à ressort. Quand vous branchez un câble à fiches minijack mono à cette prise, le signal de réverbération de l. n'est plus délivré.

Panneau avant (section NOISE GENERATOR, VOLTAGE PROCESSORS)



NOISE GENERATOR

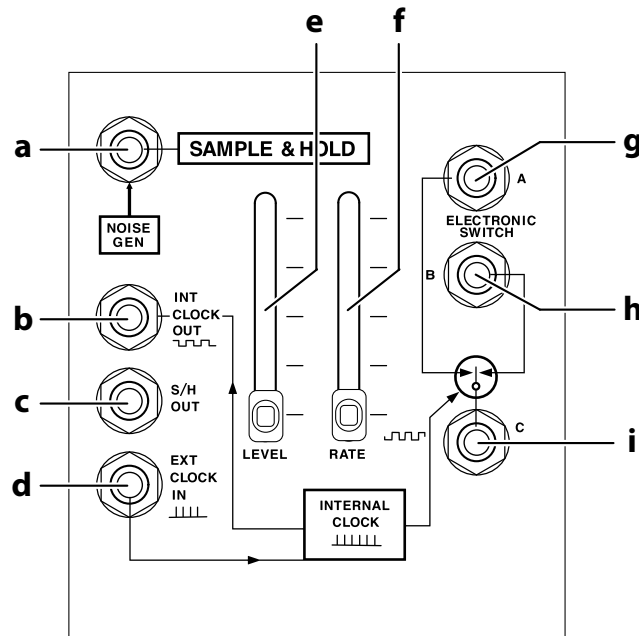
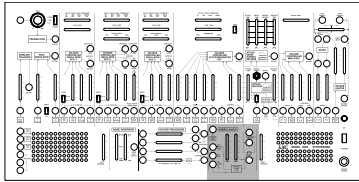
- a. **Curseur de couleur de bruit**
..... [LOW FREQ...PINK...WHITE]
Règle les composantes fréquentielles du bruit.
- b. **Curseur de niveau de bruit**
Règle le niveau du signal du générateur de bruit.
- c. **Prise NOISE GEN OUTPUT**
Il s'agit de la prise de sortie du générateur de bruit.

VOLTAGE PROCESSORS

- d. **Prise d'entrée Inverseur 1**
Il s'agit de la prise d'entrée d'un inverseur (module inversant la tension).
- e. **Prise d'entrée Inverseur 2**
Il s'agit de la prise d'entrée d'un inverseur. -10 V est connecté en interne.
- f. **Curseur de niveau d'entrée d'inverseur 2**
Règle l'intensité de tension de la prise d'entrée d'inverseur 2.
- g. **Prise d'entrée Inverseur 3**
Il s'agit de la prise d'entrée d'un inverseur.
- h. **Prise d'entrée Inverseur 4**
Il s'agit de la prise d'entrée d'un inverseur. KBD CV est connecté en interne.
- i. **Curseur de niveau d'entrée d'inverseur 4**
Règle l'intensité de tension de la prise d'entrée d'inverseur 4.
- j. **Prise de sortie Inverseur 1**
Produit une tension inversée correspondant à la somme des entrées d'inverseur 1-4.
- k. **Prise d'entrée Inverseur 5**
Il s'agit de la prise d'entrée d'un inverseur.
- l. **Prise d'entrée Inverseur 6**
Il s'agit de la prise d'entrée d'un inverseur. +10 V est connecté en interne.
- m. **Curseur de niveau d'entrée d'inverseur 6**
Règle l'intensité de tension de la prise d'entrée d'inverseur 6.
- n. **Prise de sortie Inverseur 2**
Produit une tension inversée correspondant à la somme des entrées d'inverseur 5 et 6.
- o. **Prise d'entrée LAG**
Cette prise d'entrée reçoit le signal pour le circuit de retard ('lag'). La sortie du suiveur d'enveloppe (voyez "ENVELOPE FOLLOWER" à la page 28) est connectée en interne.
- p. **Curseur LAG TIME**
Règle le temps de retard. Glisser ce curseur à droite produit un signal plus lisse.
- q. **Prise de sortie LAG**
Produit un signal de tension lissée par le circuit LAG.

Astuce: Si vous assignez un KBD CV inversé à un VCO, le rapport entre le clavier et la hauteur est inversé.

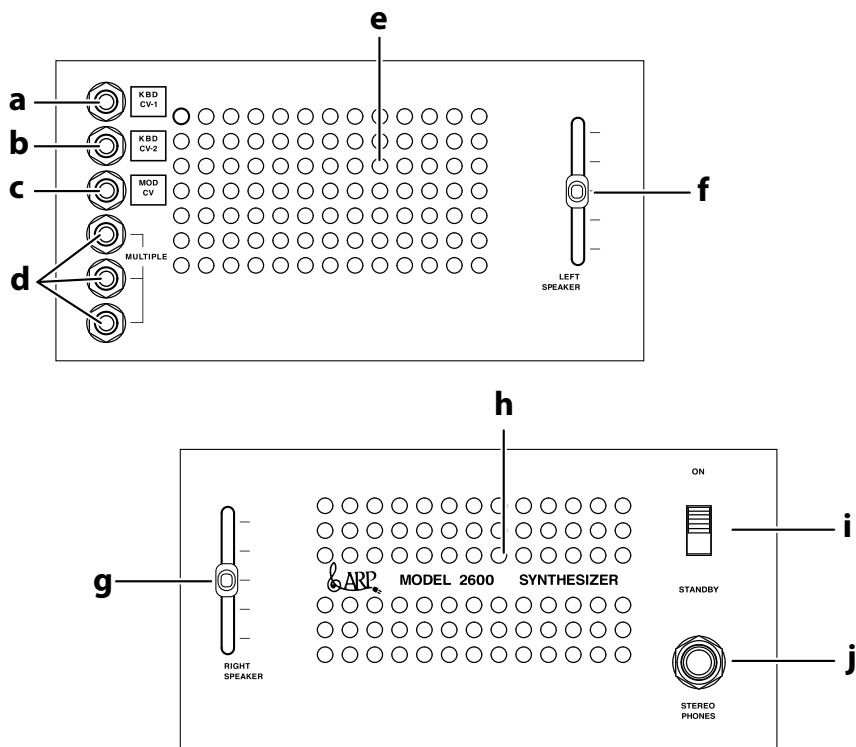
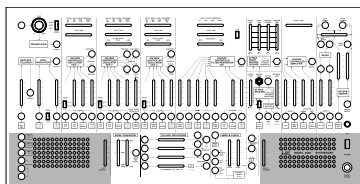
Panneau avant (section SAMPLE & HOLD)



SAMPLE & HOLD

- a. **Prise d'entrée SAMPLE & HOLD**
Cette prise d'entrée reçoit le signal pour le circuit d'échantillonnage-blocage ('sample & hold'). Le générateur de bruit est connecté en interne.
 - b. **Prise INT CLOCK OUT**
Délivre le signal d'horloge du générateur d'horloge intégré à l'instrument.
 - c. **Prise S/H OUT**
Délivre le signal d'échantillonnage-blocage.
 - d. **Prise EXT CLOCK IN**
Cette prise d'entrée reçoit le signal d'une horloge externe. Quand cette prise reçoit une onde carrée du VCO-1 ou un signal similaire, SAMPLE & HOLD se synchronisent sur ce signal.
 - e. **Curseur de niveau d'entrée d'échantillonnage-blocage**
Règle le niveau du signal envoyé au circuit d'échantillonnage-blocage.
 - f. **Curseur CLOCK RATE** [0.2Hz...24Hz]
Règle la fréquence de l'horloge interne.
 - g. **Prise ELECTRONIC SWITCH A**
Ce commutateur analogique se synchronise sur l'horloge. ELECTRONIC SWITCH B et C sont utilisés ensemble.
 - h. **Prise ELECTRONIC SWITCH B**
Ce commutateur analogique se synchronise sur l'horloge. ELECTRONIC SWITCH A et C sont utilisés ensemble.
 - i. **Prise ELECTRONIC SWITCH C**
Ce commutateur analogique se synchronise sur l'horloge. ELECTRONIC SWITCH A et B sont utilisés ensemble. Les prises A-C et B-C sont alternativement connectées en synchronisation avec l'horloge.
- Astuce:** Si par exemple la prise A est connectée à LEFT INPUT, la prise B à RIGHT INPUT et la prise C à une source audio, cela produit un effet de panoramique automatique.

Panneau avant (section SPEAKER L, section SPEAKER R)



Section SPEAKER L

a. Prise KBD CV-1

Transmet les tensions de commande de hauteur correspondant aux messages d'activation de note reçus via le contrôleur MIDI connecté. Si plusieurs messages d'activation de note sont reçus, cette prise transmet une tension de commande de hauteur correspondant à l'activation de la note la plus basse.

Astuce: La tension d'entrée KBD CV d'un VCO ou du VCF est identique à la tension de sortie de cette prise KBD CV-1.

b. Prise KBD CV-2

Transmet les tensions de commande de hauteur correspondant aux messages d'activation de note reçus via le contrôleur MIDI connecté. Si plusieurs messages d'activation de note sont reçus, cette prise transmet une tension de commande de hauteur correspondant à l'activation de la note la plus haute.

Astuce: Pour plus d'informations sur la tension de commande produite quand plusieurs touches sont enfoncées, voyez "Réglages de mode d'assignation des voix" à la page 43.

c. Prise MOD CV

Transmet les tensions de commande correspondant aux messages de modulation (CC#01) reçus via le contrôleur MIDI connecté. La tension de commande varie entre approximativement 0 V et +7 V.

d. Prises MULTIPLE

Ces prises (parallèles) ordinaires de distribution de signaux sont disponibles pour les signaux audio ou les signaux de commande.

e. Haut-parleur interne gauche (L)

f. Curseur LEFT SPEAKER

Règle le volume du haut-parleur interne gauche (L). Quand un casque est branché, ce curseur commande le volume du canal gauche du casque.

Section SPEAKER R

g. Curseur RIGHT SPEAKER

Règle le volume du haut-parleur interne droit (R). Quand un casque est branché, ce curseur commande le volume du canal droit du casque.

h. Haut-parleur interne droit (R)

i. Interrupteur d'alimentation

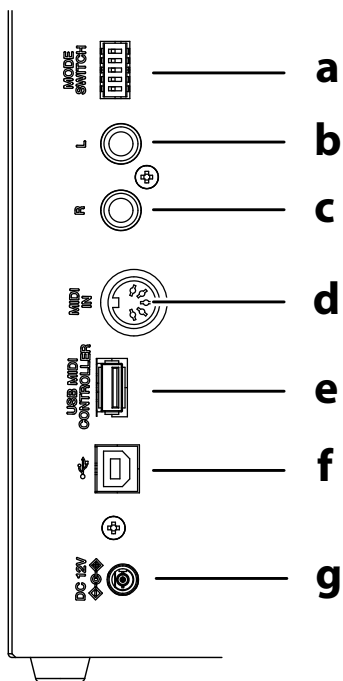
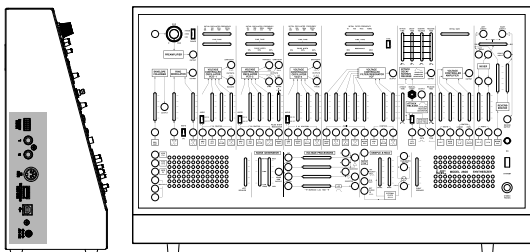
Il met l'appareil sous/hors tension.

j. Prise STEREO PHONES

Branchez-y un casque d'écoute stéréo. Elle est destinée à un casque avec fiche de type jack stéréo (φ: 6,3 mm).

⚡ Les haut-parleurs internes sont désactivés quand vous branchez un casque.

Panneau latéral (commutateurs MODE SWITCH, prises de sortie principale, prise MIDI port USB et prise d'alimentation)



MODE SWITCH

Ce commutateur (en fait un set de 5 commutateurs) permet de régler le canal MIDI et la fonction de coupure automatique de l'alimentation.

a. **MODE SWITCH1-5**

La combinaison des commutateurs 1-4 détermine les canaux MIDI 1-16 (voyez "Canal MIDI" à la page 44). Le commutateur 5 active ou désactive la fonction de coupure automatique d'alimentation (voyez "Changer le réglage de coupure automatique d'alimentation" à la page 41).

Prises de sortie principale

b. **Sortie principale G**

Délivre le signal audio du canal G de cet instrument. Il s'agit d'une prise jack standard de 6,3 mm.

c. **Sortie principale D**

Délivre le signal audio du canal D de cet instrument. Il s'agit d'une prise jack standard de 6,3 mm.

MIDI

d. **Prise MIDI IN**

Branchez votre contrôleur MIDI à l'ARP 2600 M avec un câble MIDI pour transmettre des messages MIDI à l'ARP 2600 M.

USB

e. **Port USB MIDI CONTROLLER**

Branchez directement votre contrôleur MIDI à ce port avec un câble USB pour transmettre des messages MIDI à l'ARP 2600 M.

⚡ Ce port sert uniquement à la réception des messages MIDI via USB. Pour brancher un ordinateur, utilisez le port USB B (élément "f").

⚡ En présence d'un contrôleur USB-MIDI énergivore, utilisez l'adaptateur secteur fourni avec le contrôleur.

⚡ Les contrôleurs USB-MIDI dotés d'une fonction de concentrateur USB ne peuvent pas être utilisés.

f. **Port USB B**

Permet de relier cet instrument à un ordinateur et d'échanger des données MIDI entre les deux appareils.

Prise du cordon secteur

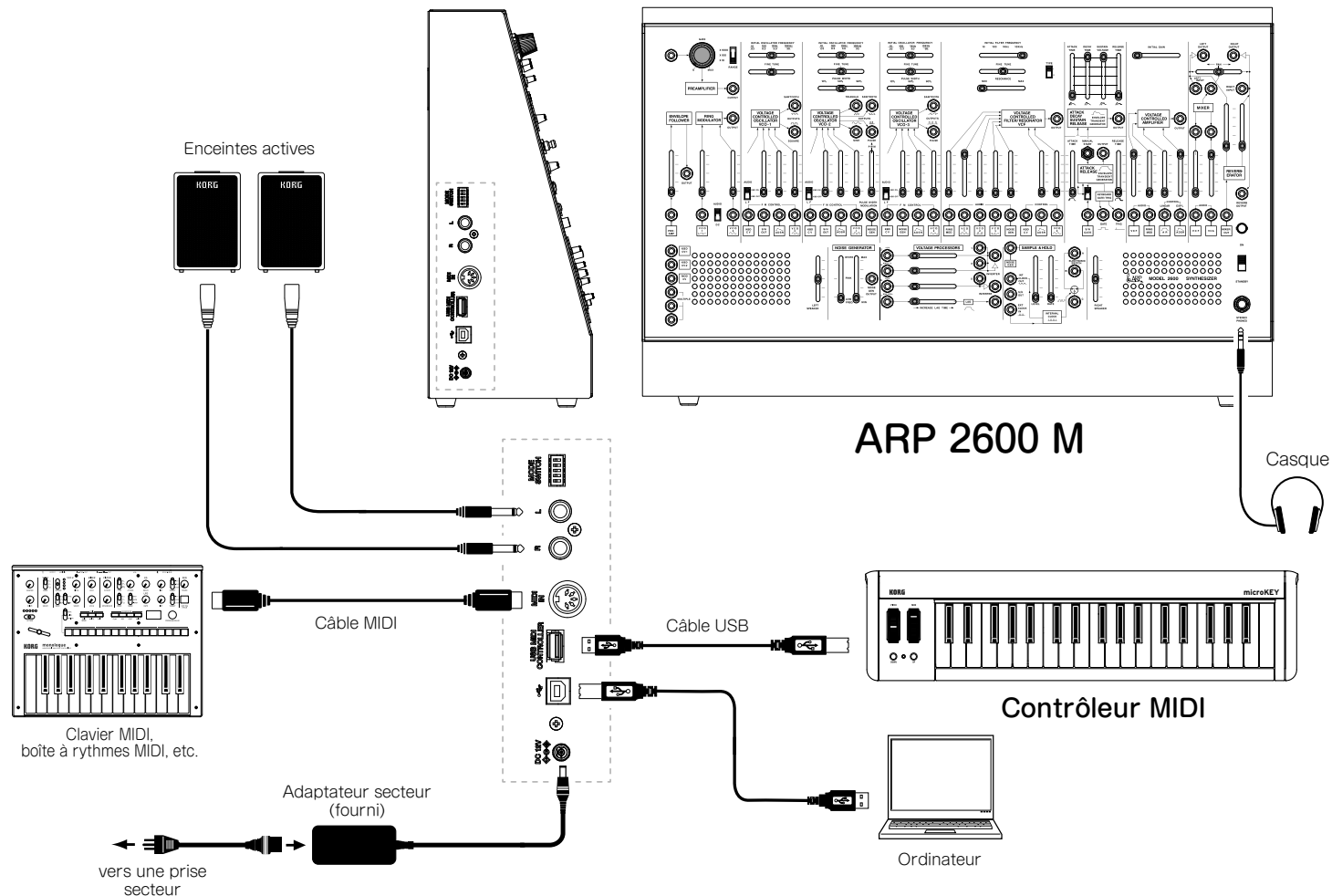
g. **Prise DC 12V**

Branchez l'adaptateur secteur fourni à cette prise.

Préparations

Connexions

L'illustration suivante montre un exemple typique de connexions. Branchez le matériel répondant à vos besoins.



Mise sous tension

Vérifiez les points suivants avant de mettre l'instrument sous tension.

- Vérifiez que vous branchez le produit à une prise secteur de tension adéquate.
- Utilisez exclusivement l'adaptateur secteur fourni.
- Si vous avez branché du matériel comme une table de mixage ou des enceintes actives, réglez également leur commande de volume au minimum et coupez leur alimentation.
- Assurez-vous que le ARP 2600 M est hors tension.

1. Abaissez le curseur LEFT SPEAKER et le curseur RIGHT SPEAKER de l'instrument en bas de course.
2. Branchez la fiche de l'adaptateur secteur fourni à la prise d'alimentation sur le panneau latéral de l'ARP 2600 M.
3. Branchez le câble d'alimentation à une prise de courant.
4. Branchez le câble d'alimentation à l'adaptateur secteur.
5. Quand vous placez l'interrupteur d'alimentation de l'instrument sur ON, le témoin d'alimentation s'allume et l'instrument est mis sous tension. Diminuez le volume de vos enceintes actives ou de tout autre matériel d'amplification externe avant de les mettre sous tension.
6. Réglez le volume avec le curseur LEFT SPEAKER et le curseur RIGHT SPEAKER de l'instrument. Si vous avez branché du matériel d'amplification externe, réglez le volume comme bon vous semble sur cet équipement.

Astuce: Si l'adaptateur secteur est débranché quand l'ARP 2600 M est sous tension ou si sa fonction de coupure automatique d'alimentation est activée, il se pourrait que l'instrument soit mis hors tension sans que son interrupteur d'alimentation soit en position "OFF". Avant de mettre à nouveau l'ARP 2600 M sous tension, vous devrez placer l'interrupteur en position "OFF" avant de le remettre sur "ON".

Astuce: Si vous n'êtes pas familiarisé avec la procédure de création de sons, nous vous conseillons d'effectuer maintenant les réglages décrits dans la section "Réglages élémentaires".

Mise hors tension

1. Diminuez le volume de vos enceintes actives ou de tout autre système d'amplification externe et mettez-le(s) hors tension.
2. Quand vous placez l'interrupteur d'alimentation de l'instrument sur STANDBY, le témoin d'alimentation s'éteint et l'instrument est mis hors tension.

Fonction de mise hors tension automatique

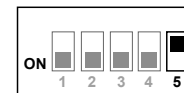
L'ARP 2600 M est doté d'une fonction de coupure automatique de l'alimentation qui, comme son nom l'indique, met automatiquement l'instrument hors tension quand il est resté environ quatre heures sans être utilisé ou manipulé. La fonction de coupure automatique de l'alimentation est activée par défaut.

Changer le réglage de coupure automatique d'alimentation

Cette section décrit comment changer le réglage de fonction de coupure automatique d'alimentation.

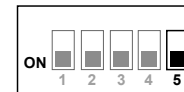
Pour désactiver la fonction de coupure automatique d'alimentation

Placez le commutateur MODE SWITCH 5 du panneau latéral gauche en position "Off" (en haut). Vous ne devez pas mettre l'instrument hors tension puis à nouveau sous tension pour appliquer le réglage.



Pour activer à nouveau la fonction de coupure automatique d'alimentation

Placez le commutateur MODE SWITCH 5 du panneau latéral gauche en position "On" (en bas). Vous ne devez pas mettre l'instrument hors tension puis à nouveau sous tension pour appliquer le réglage.



Production de sons

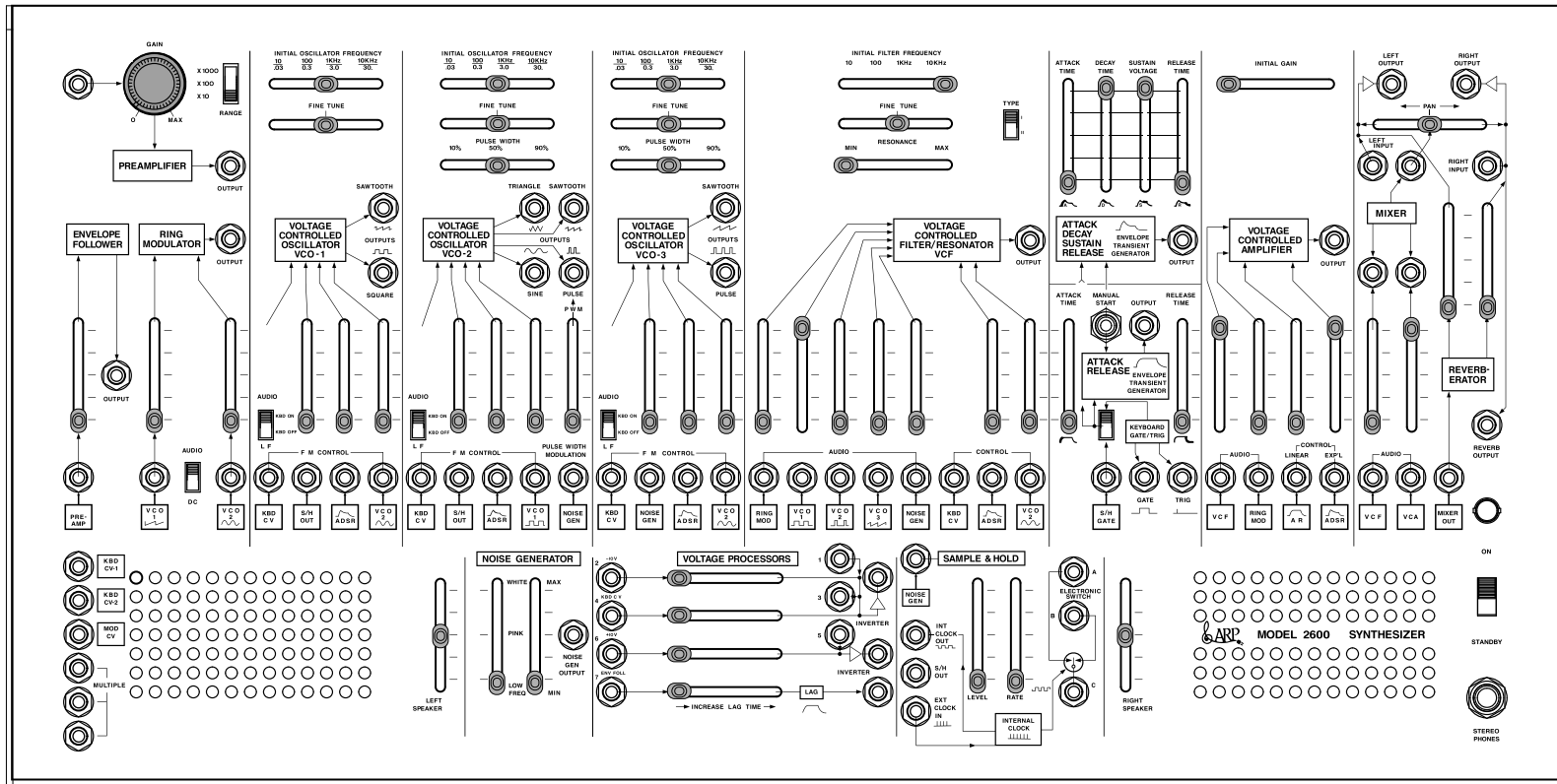
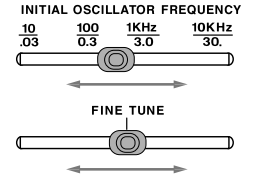
Réglages de base

Réglez les commandes (curseurs, commutateurs, etc.) de l'ARP 2600 M comme illustré ci-dessous.

Quand ces réglages sont appliqués et que vous jouez sur le clavier, l'instrument produit le son d'onde carrée du VCO-1. Réglez le volume avec le curseur de niveau d'entrée 2 de la section MIXER (voyez "MIXER" à la page 35).

Réglage d'accord

Après avoir effectué les réglages de base décrits ci-avant, réglez le curseur FINE TUNE de chaque VCO sur la hauteur appropriée avec un accordeur disponible dans le commerce (comme le CA-50 de Korg).



Réglages de mode d'assignation des voix

L'ARP 2600 M fait office de synthétiseur duophonique (permettant de jouer simultanément deux sons). Vous avez le choix entre deux méthodes (modes d'assignation des voix) de transmission de la tension de commande de hauteur en présence de deux messages d'activation de note reçus. Ce réglage s'effectue au démarrage de l'instrument.

Mode normal (par défaut)

Il s'agit du mode activé à l'usine. Quand deux messages d'activation de note sont reçus simultanément, la note la plus grave produit le signal KBD CV-1 et la note la plus haute le signal KBD CV-2 (UPPER VOICE).

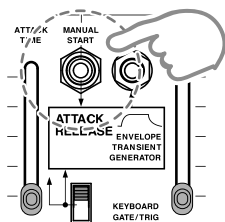
Mode original

Ce mode reproduit le fonctionnement du clavier ARP 3620 original. Comme en mode normal, la note la plus grave produit le signal KBD CV-1 et la plus haute le signal KBD CV-2 (UPPER VOICE). En revanche, la note la plus grave et la note la plus haute sont maintenues jusqu'à l'apparition du signal de Gate (la première touche est enfoncée).

Réglage du mode

1. Mettez l'ARP 2600 M sous tension en maintenant enfoncé le commutateur MANUAL START en face avant.
 2. Quand le témoin d'alimentation s'allume, relâchez puis enfoncez à nouveau le commutateur MANUAL START. Appuyez trois fois sur le commutateur pour activer le mode Normal et quatre fois pour activer le mode Original.
 3. Les réglages sont sauvegardés en mémoire (le témoin d'alimentation clignote), puis l'instrument démarre normalement.
- ⚠ Après avoir changé ce réglage, attendez quelques secondes (pendant que le témoin d'alimentation clignote) avant de mettre l'instrument hors tension. Sinon les données pourraient être endommagées, ce qui pourrait causer des dysfonctionnements.

Astuce: Le réglage de mode d'assignation des voix est conservé même après la mise hors tension.



Réglage du mode de déclenchement

Détermine la manière dont le circuit ADSR démarre (est déclenché) en présence de messages de note active consécutifs.

Mode de déclenchement multiple (réglage par défaut)

Le circuit ADSR est déclenché par chaque message de note active.

Mode de déclenchement unique

Ce mode est utilisé pour le jeu legato (lié), car un nouveau message de note active ne déclenche pas le circuit ADSR avant la fin du temps d'extinction ADSR.

Réglage du mode de déclenchement

1. Mettez l'ARP 2600 M sous tension en maintenant enfoncé le commutateur MANUAL START en face avant.
 2. Quand le témoin d'alimentation s'allume, relâchez puis enfoncez à nouveau le commutateur MANUAL START. Appuyez cinq fois sur le commutateur pour activer le mode de déclenchement multiple et six fois pour activer le mode de déclenchement unique.
 3. Les réglages sont sauvegardés en mémoire (le témoin d'alimentation clignote), puis l'instrument démarre normalement.
- ⚠ Le réglage TRIGGER MODE ne s'applique pas au circuit AR.
- ⚠ Après avoir changé ce réglage, attendez quelques secondes (pendant que le témoin d'alimentation clignote) avant de mettre l'instrument hors tension. Sinon les données pourraient être endommagées, ce qui pourrait causer des dysfonctionnements.
- Astuce:** Les réglages du mode de déclenchement sont conservés même après la mise hors tension de l'instrument.

À propos de MIDI

Connexion de dispositifs MIDI

Vous pouvez brancher l'ARP 2600 M à un ordinateur ou séquenceur MIDI externe afin de piloter le générateur de son du synthétiseur avec ce dispositif externe. Procurez-vous un câble MIDI disponible dans le commerce pour relier la prise MIDI IN de l'ARP 2600 M à la prise MIDI OUT du dispositif MIDI utilisé (voyez "Connexions" à la page 40).

Prise MIDI IN: Elle reçoit les messages MIDI provenant d'autres dispositifs MIDI. Reliez cette prise à la prise MIDI OUT de l'autre dispositif. Les messages MIDI que l'ARP 2600 M peut recevoir via sa prise MIDI IN comprennent les messages de note, de pitch bend, de modulation et de portamento.

- Les messages de note (le toucher est ignoré) sont les seuls messages MIDI que l'ARP 2600 M peut recevoir via sa prise MIDI IN. L'instrument peut recevoir la plage de notes suivante: 012 (Do0) à 127 (Sol9).

Canal MIDI

La norme MIDI offre 16 canaux (1–16).

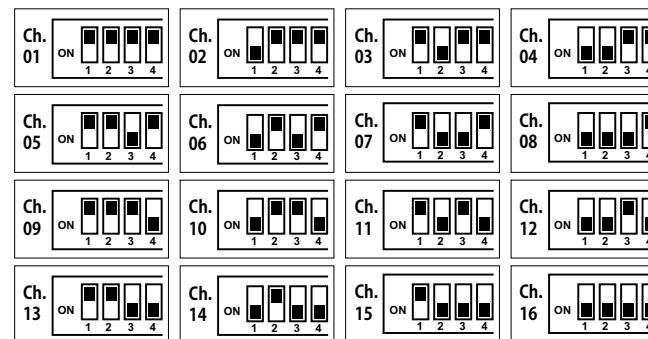
Pour pouvoir utiliser un dispositif MIDI externe connecté à l'ARP 2600 M, vous devez régler les deux appareils sur le même canal MIDI. Par défaut, le canal MIDI 1 est assigné à l'instrument.

Astuce: Pour savoir comment régler le canal MIDI sur votre dispositif externe, reportez-vous à son mode d'emploi.

Réglage du canal MIDI sur l'ARP 2600 M

Utilisez les commutateurs MODE SWITCH 1–4 en face arrière pour définir le canal MIDI. Les réglages de canal MIDI sont décrits dans le tableau ci-dessous. Le canal MIDI change immédiatement quand vous manipulez les commutateurs.

- Vous pouvez changer de canal MIDI pendant le jeu, mais dans ce cas les notes en cours de production seront coupées. La fonction de jeu Pitch Bend est également initialisée.



Connexion à un ordinateur

Reliez le port USB de l'ARP 2600 M à celui de votre ordinateur à l'aide d'un câble USB. Comme la prise MIDI IN, la prise USB de l'ARP 2600 M permet de recevoir des messages MIDI (voyez "Connexions" à la page 40).

Le port USB permet de transmettre ou de recevoir exclusivement des messages MIDI de note (l'instrument transmet la valeur de toucher fixe de 64 et ignore les données de toucher reçues), et de recevoir des messages MIDI de pitch bend et de modulation.

Astuce: Les seuls messages MIDI transmis sont les messages de note produits quand vous jouez sur le clavier. Les manipulations des curseurs et commutateurs ne produisent pas de messages MIDI.

Astuce: Pour pouvoir exploiter la connexion USB, vous devez installer le pilote USB-MIDI de KORG. Téléchargez la dernière version du pilote USB-MIDI de KORG sur le site Internet de Korg (<http://www.korg.com/>) et installez le pilote en suivant les instructions de la documentation fournie.

À propos du tableau d'implémentation MIDI

Le tableau d'implémentation MIDI fournit la liste des messages MIDI qui peuvent être transmis/reçus par l'instrument. Si vous avez l'intention d'utiliser un dispositif MIDI, vérifiez la compatibilité des messages MIDI dans le tableau d'implémentation MIDI de chaque instrument. Vous pouvez télécharger le tableau d'implémentation MIDI ("MIDI Implementation Chart") de cet instrument sur le site Internet de Korg.

Astuce: L'implémentation MIDI offre une description détaillée des caractéristiques MIDI de l'instrument. Pour en savoir plus sur l'implémentation MIDI, surfez sur le site internet de Korg (<http://www.korg.com/>).

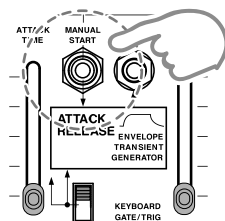
Rétablir les réglages d'usine

Vous pouvez rétablir les réglages du mode d'assignation des voix et du mode de déclenchement et retrouver leurs valeurs d'usine.

Initialisation des paramètres

1. Mettez l'ARP 2600 M sous tension en maintenant enfoncé le commutateur MANUAL START en face avant.
2. Quand le témoin d'alimentation s'allume, relâchez puis enfoncez huit fois le commutateur MANUAL START.
3. Les réglages sont chargés en mémoire (le témoin d'alimentation clignote), puis l'instrument démarre normalement.

- ⚠ Après avoir changé ce réglage, attendez quelques secondes (pendant que le témoin d'alimentation clignote) avant de mettre l'instrument hors tension. Sinon les données pourraient être endommagées, ce qui pourrait causer des dysfonctionnements.



Dépannage

L'instrument ne s'allume pas.

- L'adaptateur secteur est-il correctement connecté?

Aucun son.

- Débranchez tous les câbles à fiches minijack mono et effectuez les réglages de base des paramètres de l'ARP 2600 M (voyez "Réglages de base" à la page 42).
- Le curseur LEFT SPEAKER, le curseur RIGHT SPEAKER (voyez "Panneau avant (section SPEAKER L, section SPEAKER R)" à la page 38), le curseur de niveau d'entrée VCA AUDIO 1 de la section VCA (voyez "VCA (amplificateur commandé en tension ou 'Voltage Controlled Amplifier'" à la page 34), le curseur de niveau d'entrée 1 ou le curseur de niveau d'entrée 2 de la section MIXER (voyez "MIXER" à la page 35) sont peut-être abaissés en bas de course.
- Votre ampli, console ou casque est-il correctement connecté à l'ARP 2600 M?
- Votre ampli ou console est-il sous tension, et son volume est-il suffisant?
- Avez-vous branché un casque à la prise pour casque de l'instrument? Le son des haut-parleurs est coupé quand vous branchez un casque.

L'instrument ne répond pas aux messages MIDI du dispositif externe.

- Le câble MIDI ou USB est-il correctement connecté? (voyez "Connexions" à la page 40)
- Le réglage de canal global MIDI de l'ARP 2600 M et le réglage de canal MIDI du dispositif transmettant les messages sont-ils identiques? (voyez "Canal MIDI" à la page 44)
- Le contrôleur USB-MIDI est-il doté d'une fonction de concentrateur USB? Les contrôleurs USB-MIDI dotés d'une fonction de concentrateur USB ne peuvent pas être utilisés.

Le son de la source audio externe connectée est inaudible.

- Une source audio externe est-elle correctement connectée à la prise d'entrée de la section PREAMPLIFICATEUR? La commande GAIN n'est-elle pas réglée sur 0? (voyez "PREAMPLIFICATEUR" à la page 28)
- La prise de sortie de la section PREAMPLIFICATEUR est-elle reliée à l'entrée audio du VCF ou du MIXER?

Fiche technique

Température de fonctionnement:	0 à +40 °C (sans condensation)
Polyphonie:	2 voix maximum en mode duophonique; monophonique en mode normal
VCO-1 (oscillateur commandé en tension 1)	
Formes d'onde:	en dents de scie, carrée
Plage de fréquence:	0,03 Hz – 30 Hz environ (mode basse fréquence) 10 Hz – 10 kHz environ (mode audio)
Réponse à la tension de contrôle (VC):	1 V/oct. (C3≈0V)
VCO-2 (oscillateur commandé en tension 2)	
Formes d'onde:	en dents de scie, à pulsation (pulsation dynamique), triangulaire, sinusoïdale
Plage de fréquence:	0,03 Hz – 30 Hz environ (mode basse fréquence) 10 Hz – 10 kHz environ (mode audio)
Largeur de pulsation:	10% – 90%
Réponse à la tension de contrôle (VC):	1 V/oct. (C3≈0V)
VCO-3 (oscillateur commandé en tension 3)	
Formes d'onde:	en dents de scie, à pulsation (pulsation dynamique)
Plage de fréquence:	0,03 Hz – 30 Hz environ (mode basse fréquence) 10 Hz – 10 kHz environ (mode audio)
Largeur de pulsation:	10% – 90%
Réponse à la tension de contrôle (VC):	1 V/oct. (C3≈0V)
VCF (filtre commandé en tension ou 'Voltage Controlled Filter')	
Types:	Passe-bas (TYPE I (anciens modèles): 24 dB/oct., TYPE II (modèles plus récents): 24 dB/oct.)
Plage de fréquence:	10 Hz – 10 kHz environ
Résonance:	1/2 - auto-oscillation
VCA ('Voltage Controlled Amplifier')	
Tension de contrôle:	de type AR (connecté en interne) de type ADSR (connecté en interne)
Générateur de bruit:	à spectres de bruit (blanc et rose)

RING MODULATOR

Type:	multiplicateur analogique
Signal d'entrée (connecté en interne):	onde en dents de scie de VCO-1, onde sinusoïdale de VCO-2

SAMPLE & HOLD

Signal échantillonné:	bruit (connecté en interne)
-----------------------	-----------------------------

PRISES DE SORTIE AUDIO

Panneau avant (Prises LEFT, RIGHT OUTPUT)	
Type:	jack mono (φ: 3,5 mm)
Niveau de sortie maximum:	+9 dBu avec une charge de 10 kΩ
Impédance de sortie:	1,2 kΩ
Panneau latéral	
Type:	jack mono (φ: 6,3 mm)
Niveau de sortie maximum:	+4 dBu avec une charge de 600 Ω
Impédance de sortie:	1,2 kΩ

PRISE CASQUE


Type:	jack stéréo (φ: 6,3 mm)
Niveau de sortie maximum:	50 mW + 50 mW avec une charge de 33 Ω
Impédance de sortie:	20 Ω

PRISE D'ENTRÉE EXTERNE (PREAMPLIFIER INPUT)

Type:	jack mono (φ: 3,5 mm)
Niveau d'entrée maximum:	-10 dBu
Impédance d'entrée:	100 kΩ

Prises MIDI: IN

Port USB: de type A, de type B

Alimentation: Adaptateur secteur (DC 12V, )

Consommation: 13 W

Dimensions (L × P × H), poids: 520 × 129 × 311 mm, 6,0 kg

Accessoires fournis: Étui rigide, Adaptateur secteur, 10 Câbles de liaison, Manuel d'utilisation

Accessoires (vendus séparément): Série microKEY 2, SQ-64, etc.

* Les caractéristiques et l'aspect du produit sont susceptibles d'être modifiés sans avis préalable en vue d'une amélioration.

Vorsichtsmaßnahmen

Aufstellungsort

Vermeiden Sie das Aufstellen des Geräts an Orten, an denen.

- es direkter Sonneneinstrahlung ausgesetzt ist;
- hohe Feuchtigkeit oder Extremtemperaturen auftreten können;
- Staub oder Schmutz in großen Mengen vorhanden sind;
- das Gerät Erschütterungen ausgesetzt sein kann.
- in der Nähe eines Magnetfeldes.

Stromversorgung

Schließen Sie das optionale Netzteil nur an eine geeignete Steckdose an. Verbinden Sie es niemals mit einer Steckdose einer anderen Spannung.

Störeinflüsse auf andere Elektrogeräte

Dieser kann bei in der Nähe aufgestellten Rund-funkempfängern oder Fernsehgeräten Empfangsstörungen hervorrufen. Betreiben Sie solche Geräte nur in einem geeigneten Abstand von diesem Erzeugnis.

Bedienung

Vermeiden Sie bei der Bedienung von Schaltern und Reglern unangemessenen Kraftaufwand.

Reinigung

Bei auftretender Verschmutzung können Sie das Gehäuse mit einem trockenen, sauberen Tuch abwischen. Verwenden Sie keinerlei Flüssigreiniger wie beispielsweise Reinigungsbenzin, Verdünnungs- oder Spülmittel. Verwenden Sie niemals brennbare Reiniger.

Bedienungsanleitung

Bewahren Sie diese Bedienungsanleitung gut auf, falls Sie sie später noch einmal benötigen.

Flüssigkeiten und Fremdkörper

Stellen Sie niemals Behältnisse mit Flüssigkeiten in der Nähe des Geräts auf. Wenn Flüssigkeit in das Gerät gelangt, können Beschädigung des Geräts, Feuer oder ein elektrischer Schlag die Folge sein.

Beachten Sie, daß keinerlei Fremdkörper in das Gerät gelangen. Sollte ein Fremdkörper in das Gerät gelangt sein, so trennen Sie es sofort vom Netz. Wenden Sie sich dann an Ihren KORGE-Fachhändler.

Hinweis zur Entsorgung (Nur EU)



Wenn Sie das Symbol mit der „durchgekreuzten Mülltonne“ auf Ihrem Produkt, der dazugehörigen Bedienungsanleitung, der Batterie oder dem Batteriefach sehen, müssen Sie das Produkt in der vorgeschriebenen Art und Weise entsorgen. Dies bedeutet, dass dieses Produkt mit elektrischen und elektronischen Komponenten nicht mit dem normalen Hausmüll entsorgt werden darf. Für Produkte dieser Art existiert ein separates, gesetzlich festgelegtes Entsorgungssystem. Gebrauchte elektrische und elektronische Geräte müssen separat entsorgt werden, um ein umweltgerechtes Recycling sicherzustellen. Diese Produkte müssen bei benannten Sammelstellen abgegeben werden. Die Entsorgung ist für den Endverbraucher kostenfrei! Bitte erkundigen Sie sich bei ihrer zuständigen Behörde, wo Sie diese Produkte zur fachgerechten Entsorgung abgeben können. Falls Ihr Produkt mit Batterien oder Akkumulatoren ausgerüstet ist, müssen Sie diese vor Abgabe des Produktes entfernen und separat entsorgen (siehe oben). Die Abgabe dieses Produktes bei einer zuständigen Stelle hilft Ihnen, dass das Produkt umweltgerecht entsorgt wird. Damit leisten Sie persönlich einen nicht unerheblichen Beitrag zum Schutz der Umwelt und der menschlichen Gesundheit vor möglichen negativen Effekten durch unsachgemäße Entsorgung von Müll. Batterien oder Akkus, die Schadstoffe enthalten, sind auch mit dem Symbol einer durchgekreuzten Mülltonne gekennzeichnet. In der Nähe zum Mülltonnensymbol befindet sich die chemische Bezeichnung des Schadstoffes. Cd oder NiCd steht für Cadmium, Pb für Blei und Hg für Quecksilber.

WICHTIGER HINWEIS FÜR KUNDEN

Dieses Produkt wurde unter strenger Beachtung von Spezifikationen und Spannungsanforderungen hergestellt, die im Bestimmungsland gelten. Wenn Sie dieses Produkt über das Internet, per Postversand und/oder mit telefonischer Bestellung gekauft haben, müssen Sie bestätigen, dass dieses Produkt für Ihr Wohngebiet ausgelegt ist. **WARNUNG:** Verwendung dieses Produktes in einem anderen Land als dem, für das es bestimmt ist, verwendet wird, kann gefährlich sein und die Garantie des Herstellers oder Importeurs hinfällig lassen werden. Bitte bewahren Sie diese Quittung als Kaufbeleg auf, da andernfalls das Produkt von der Garantie des Herstellers oder Importeurs ausgeschlossen werden kann.

* Alle Produkt- und Firmennamen sind Warenzeichen oder eingetragene Warenzeichen der betreffenden Eigentümer.

Inhalt

Einleitung zum ARP 2600 M	48
Über den ARP 2600 Synthesizer ..	48
Die wichtigsten Funktionen	48
Blockschaltbild	49
Funktionen und Regler	50
Oberseite (Sektionen PREAMPLIFIER, ENVELOPE FOLLOWER, RING MODULATOR)	50
Oberseite (VCO-1-Sektion)	51
Oberseite (VCO-2-Sektion)	52
Oberseite (VCO-3-Sektion)	53
Oberseite (VCF-Sektion)	54
Oberseite (ADSR EG/ AR EG-Sektion)	55
Oberseite (VCA-Sektion)	56
Oberseite (MIXER, REVERB-Sektion)	57
Oberseite (NOISE GENERATOR, VOLTAGE PROCESSORS-Sektion) ..	58
Oberseite (SAMPLE & HOLD-Sektion)	59
Oberseite (SPEAKER-Sektion L, SPEAKER-Sektion R)	60
Seitliches Anschlussfeld (Mode-Schalter, Main-Ausgänge, MIDI, USB, Stromversorgung)	61
Vorbereitung	62
Anschlüsse	62
Einschalten	63
Ausschalten	63
Energiesparfunktion	63
Erzeugen wir nun ein paar Sounds	64
Grundlegende Einstellungen	64
Stimmen	64
Einstellungen des Voice Assign-Modus	65
Trigger-Modus wählen	65
Über MIDI	66
MIDI-Geräte anschließen	66
Computer anschließen	66
Über die MIDI-Implementationstabelle	67
Laden der Werkseinstellungen	67
Fehlersuche	67
Technische Daten	68

Einleitung zum ARP 2600 M

Über den ARP 2600 Synthesizer

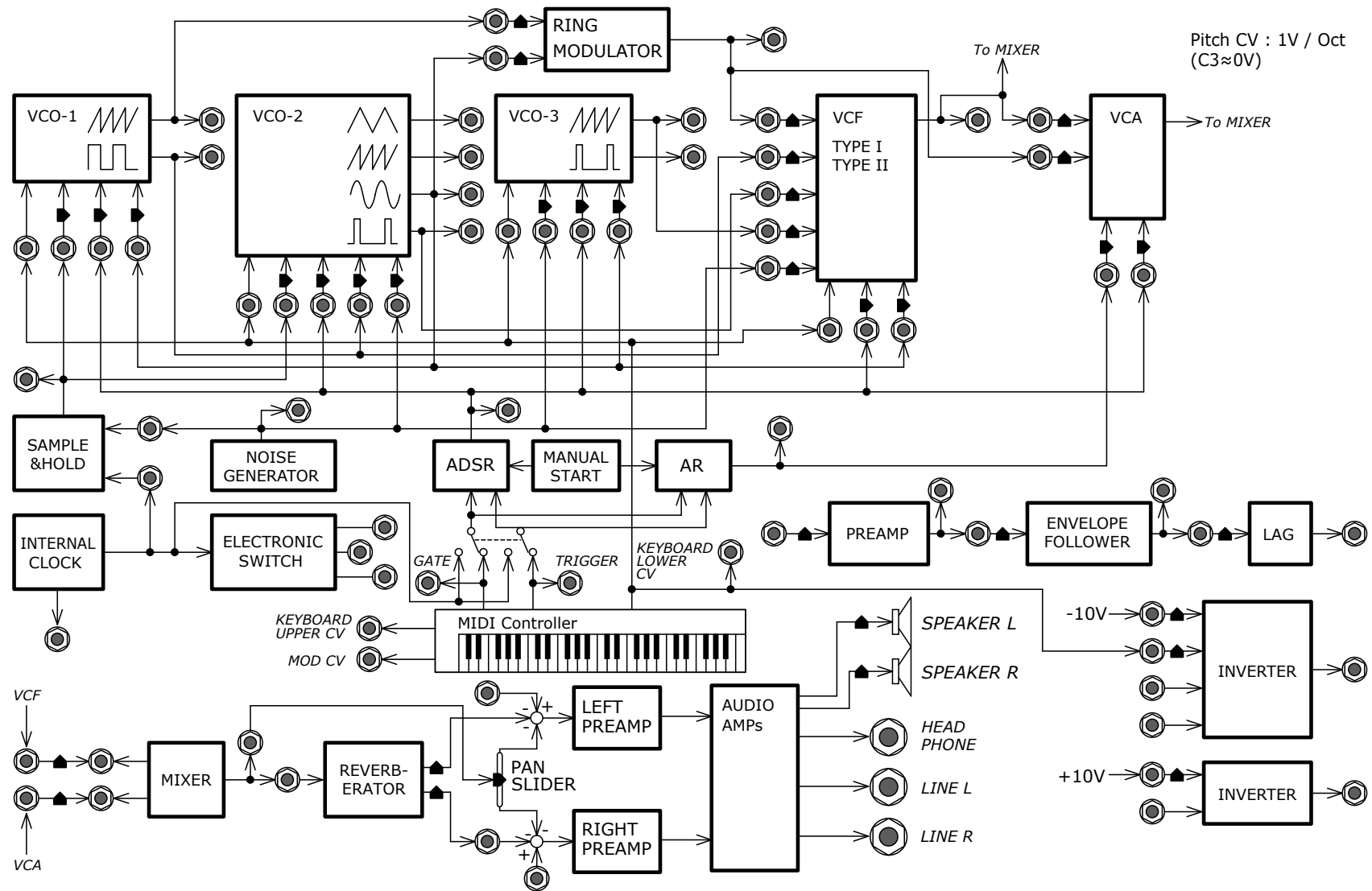
Der ARP 2600 wurde von 1971 bis 1981 hergestellt und verkauft und war ein bemerkenswertes Produkt von ARP Instruments, Inc. Bis auf die ganz frühen Modelljahre mit ihrem Metallgehäuse ist der 2600 für seine Konfigurierung als zweiteiliges Case mit Synthie- und Tastaturmodul bekannt.

Zu einer Zeit, als große modulare Systeme noch die Regel waren, kam der ARP 2600 als semimodularer, transportabler Synthesizer auf den Markt. Die Hauptmodule sind intern vorverkabelt, so dass bereits ohne Patching Klänge erzeugt werden konnten – extrem komplexe Sounds konnten mittels Patching gestaltet werden. Wegen seiner umfassenden Möglichkeiten der Soundgestaltung kam der ARP 2600 bei Aufnahmen vieler Musiker, der Produktion von Filmmusik sowie im Unterricht zum Einsatz. Bemerkenswert waren auch seine eingebauten Lautsprecher und sein Federhall.

Die wichtigsten Funktionen

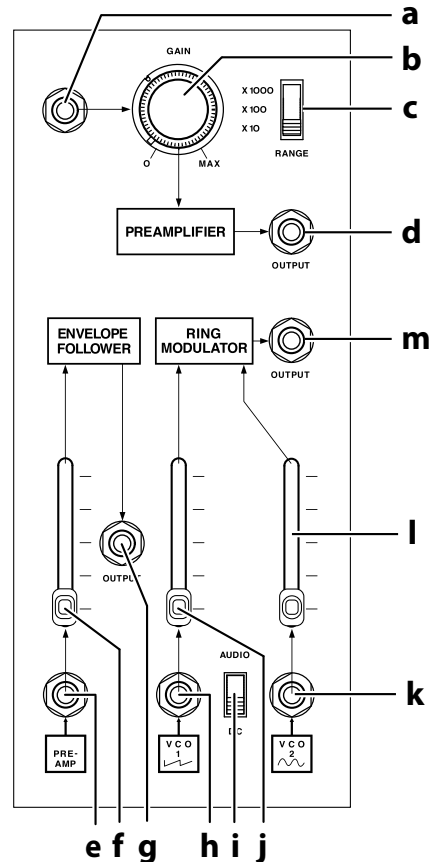
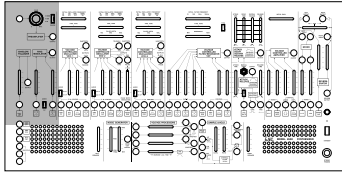
- Der ARP 2600 M ist etwa 60% kleiner als sein Vorbild ARP 2600 und damit leicht transportierbar, bleibt ansonsten aber ein vollwertiger Synthesizer mit allen Funktionen des Originals.
- Dank der mit den analogen Schaltungen des originalen ARP 2600 versehenen VCOs, VCF und VCA bietet dieses Instrument Möglichkeiten der Soundgestaltung, die diejenigen typischer analoger Synthesizer weit übertreffen und ermöglicht eine flexible und hoch improvisatorische Synthese.
- Die mitgelieferten Patchkabel ermöglichen äußerst flexibles Patching. Da sämtliche Module bereits intern miteinander verkabelt sind, kann das Gerät auch ohne Patchkabel verwendet werden.
- Es verfügt über zwei VCF-Typen (frühe und späte Modelle), auswählbar mit einem Schalter.
- Es verfügt über zwei Hüllkurvengeneratorentypen: ADSR und AR.
- Dank eines externen Audioeingangs können Sie auch Sounds externer Herkunft verarbeiten, wie Gitarren- oder Mikrofonssignale.
- Es verfügt über einen USB-Port und MIDI Anschlüsse zum Anschluss eines Computers oder eines MIDI-Instruments.
- Der ARP 2600 M hat einen USB MIDI CONTROLLER-Port, um den Synthesizer ohne MIDI-Schnittstelle direkt an einen MIDI-Controller anzuschließen. (MIDI-Controller mit USB HUB-Funktion sind nicht unterstützt)

Blockschaltbild



Funktionen und Regler

Oberseite (Sektionen PREAMPLIFIER, ENVELOPE FOLLOWER, RING MODULATOR)



PREAMPLIFIER

- a. **Eingangsbuchse**
Zur Eingabe von Audiosignalen eines Mikros, einer E-Gitarre oder anderer Quellen.
- b. **GAIN-Regler**[0...MAX]
Regelt den Gain des Vorverstärkers.
- c. **RANGE-Schalter**[x10, x100, x1000]
Schaltet das Verstärkungsverhältnis des Vorverstärkers um.
- d. **Ausgangsbuchse**
Hier liegt das vom Vorverstärker verstärkte Signal an.

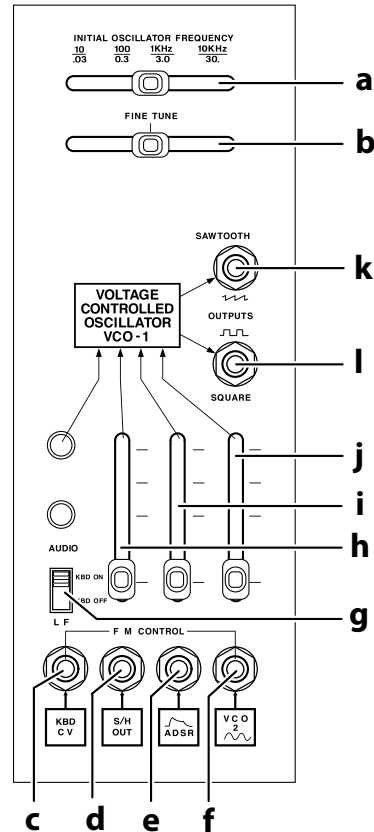
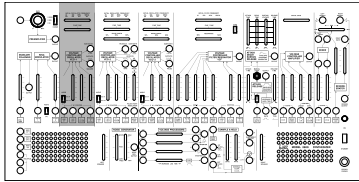
ENVELOPE FOLLOWER

- e. **Eingangsbuchse**
Diese Buchse leitet ein Eingangssignal zum Hüllkurvenfolger. Intern ist hier der Vorverstärkerausgang verkabelt.
- f. **Eingangsspiegel-Slider**
Regelt den Pegel des Eingangssignals am Hüllkurvenfolger.
- g. **Ausgangsbuchse**
Ausgang des Hüllkurvenfolgers. Hier wird eine Kontur des Eingangssignals ausgegeben.

RINGMODULATOR

- h. **Eingangsbuchse 1**
Diese Buchse leitet das erste Eingangssignal zum Ringmodulator. Intern ist hier die Sägezahnwelle des VCO-1 verkabelt.
- i. **Eingangswahlschalter**[AUDIO, DC]
Steht dieser Schalter auf AUDIO, wird der DC-Offset vom Eingangssignal abgeschnitten. Steht dieser Schalter auf DC, wird das Eingangssignal unverändert zum Ringmodulator weitergeleitet. Wählen Sie diese Einstellung bei Eingabe einer Steuerspannung (CV).
- j. **Eingangsspiegel 1-Slider**
Regelt den Signalpegel von Eingangsbuchse 1. Intern ist hier die Sägezahnwelle des VCO-1 verkabelt.
- k. **Eingangsbuchse 2**
Diese Buchse leitet das zweite Eingangssignal zum Ringmodulator. Intern ist hier Sinuswelle des VCO-2 verkabelt.
- l. **Eingangsspiegel 2-Slider**
Regelt den Signalpegel von Eingangsbuchse 2.
- m. **Ausgangsbuchse**
Ausgang des Ringmodulators. Hier liegt ein durch die Multiplikation zweier Eingangssignale generiertes Ausgangssignal an.

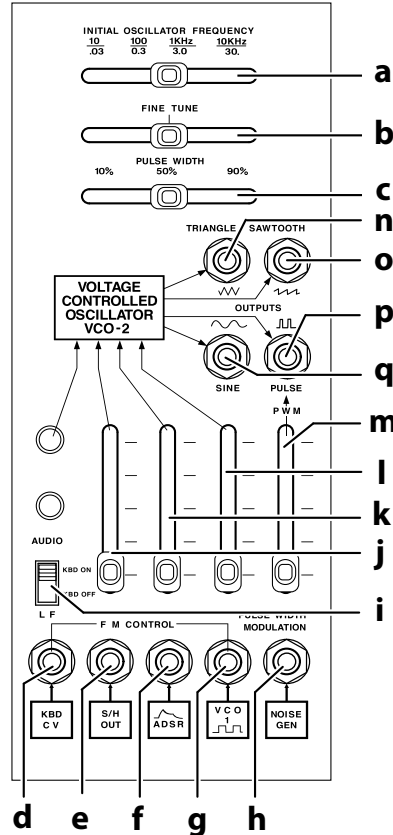
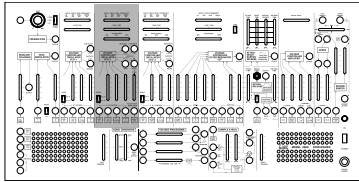
Oberseite (VCO-1-Sektion)



VCO-1 (Spannungsgesteuerter Oszillator 1)

- a. **INITIAL OSCILLATOR FREQUENCY-Slider**[10(.03)Hz...10K(30.)Hz]
Zur groben Einstellung der Tonhöhe des VCO-1.
▲ Der Frequenzbereich ist ein Näherungswert.
- b. **FINE TUNE-Slider**
Zur genauen Einstellung der Tonhöhe des VCO-1.
- c. **CV-Eingangsbuchse 1**
Tonhöhen-Steuerspannungseingang des VCO-1. Intern ist hier die Tastatursteuerspannung verkabelt.
- d. **CV-Eingangsbuchse 2**
Tonhöhen-Steuerspannungseingang des VCO-1. Intern ist hier der S/H OUT verkabelt.
- e. **CV-Eingangsbuchse 3**
Tonhöhen-Steuerspannungseingang des VCO-1. Intern ist hier der ADSR verkabelt.
- f. **CV-Eingangsbuchse 4**
Tonhöhen-Steuerspannungseingang des VCO-1. Intern ist hier Sinuswelle des VCO-2 verkabelt.
- g. **AUDIO/LF Wahlschalter** [KBD ON, KBD OFF]
Wählt aus, ob VCO-1 als Audiosignal oder LFO verwendet wird. Wird VCO-1 als LFO verwendet (KBD OFF), liegt die Tastatursteuerspannung nicht mehr am Eingang von VCO-1 an.
- h. **CV-Eingang-Slider 2**
Regelt den Signalpegel des VCO-1-CV Eingangs 2.
- i. **CV-Eingang-Slider 3**
Regelt den Signalpegel des VCO-1-CV-Eingangs 3.
- j. **CV-Eingang-Slider 4**
Regelt den Signalpegel des VCO-1-CV Eingangs 4.
- k. **SAWTOOTH-Ausgangsbuchse**
Hier liegt die Sägezahnwelle des VCO-1 an.
- l. **SQUARE-Ausgangsbuchse**
Hier liegt die Rechteckwelle des VCO-1 an.

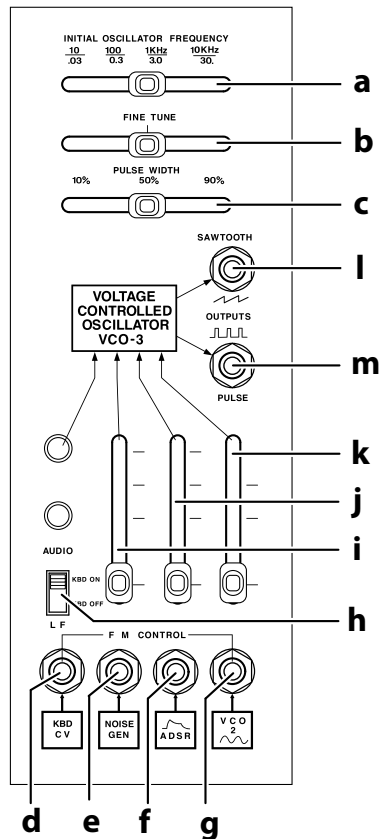
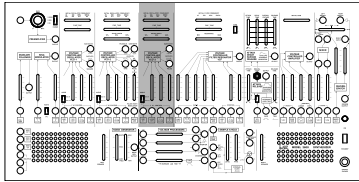
Oberseite (VCO-2-Sektion)



VCO-2 (Spannungsgesteuerter Oszillator 2)

- a. **INITIAL OSCILLATOR FREQUENCY-Slider..... [10(.03)Hz...10K(30.)Hz]**
Zur groben Einstellung der Tonhöhe des VCO-2.
🔊 Der Frequenzbereich ist ein Näherungswert.
- b. **FINE TUNE-Slider**
Zur genauen Einstellung der Tonhöhe des VCO-2.
- c. **PULSE WIDTH-Slider**
..... [10%...90%]
Regelt die Arbeitsphase der Pulswelle des VCO-2.
- d. **CV-Eingangsbuchse 1**
Tonhöhen-Steuerspannungseingang des VCO-2. Intern ist hier die Tastatursteuerspannung verkabelt.
- e. **CV-Eingangsbuchse 2**
Tonhöhen-Steuerspannungseingang des VCO-2. Intern ist hier der S/H OUT verkabelt.
- f. **CV-Eingangsbuchse 3**
Tonhöhen-Steuerspannungseingang des VCO-2. Intern ist hier der ADSR verkabelt.
- g. **CV-Eingangsbuchse 4**
Tonhöhen-Steuerspannungseingang des VCO-2. Intern ist hier die Rechteckwelle des VCO-1 verkabelt.
- h. **PULSE WIDTH MODULATION-Eingangsbuchse**
Eingang für die Steuerspannung zur Steuerung der Arbeitsphase der vom VCO-2 ausgegebenen Pulswelle. Intern ist hier die Rechteckwelle des VCO-1 verkabelt.
- i. **AUDIO/LF-Wahlschalter**
..... [KBD ON, KBD OFF]
Wählt aus, ob VCO-2 als Audiosignal oder LFO verwendet wird. Wird VCO-2 als LFO verwendet (KBD OFF), liegt die Tastatursteuerspannung nicht mehr am Eingang von VCO-2 an.
- j. **CV Eingangsspegel 2-Slider**
Regelt den Signalpegel des VCO-2 CV Eingangs 2.
- k. **CV Eingangsspegel 3-Slider**
Regelt den Signalpegel des VCO-2 CV Eingangs 3.
- l. **CV Eingangsspegel 4-Slider**
Regelt den Signalpegel des VCO-2 CV Eingangs 4.
- m. **PULSE WIDTH MODULATION Eingangsspegel-Slider**
Regelt das Ausmaß der Impulsbreitenmodulation.
- n. **TRIANGLE Ausgangsbuchse**
Hier liegt die Dreieckwelle des VCO-2 an.
- o. **SAWTOOTH-Ausgangsbuchse**
Hier liegt die Sägezahnwelle des VCO-2 an.
- p. **PULSE Ausgangsbuchse**
Hier liegt die Pulswelle des VCO-2 an.
- q. **SINE Ausgangsbuchse**
Hier liegt die Sinuswelle des VCO-2 an.

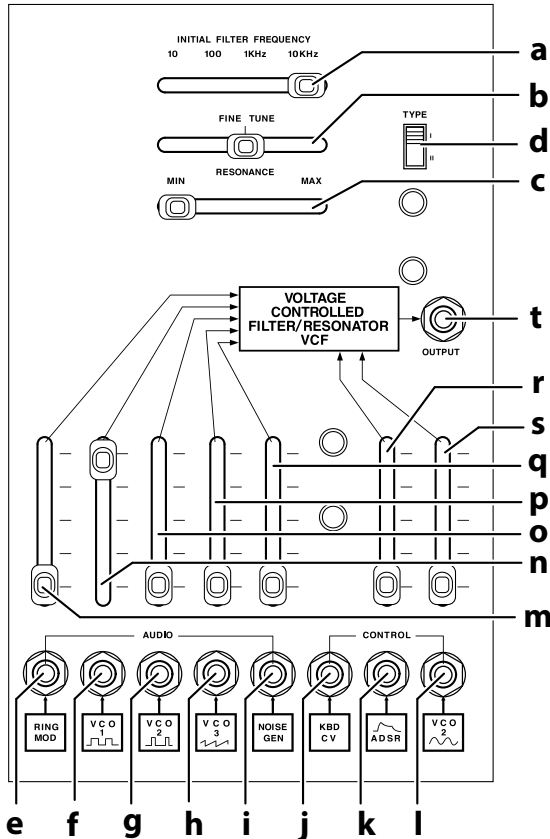
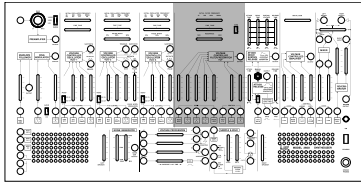
Oberseite (VCO-3-Sektion)



VCO-3 (Spannungsgesteuerter Oszillator 3)

- a. **INITIAL OSCILLATOR FREQUENCY-Slider**[10(.03)Hz...10K(30.)Hz]
Zur groben Einstellung der Tonhöhe des VCO-3.
▲ Der Frequenzbereich ist ein Näherungswert.
- b. **FINE TUNE-Slider**
Zur genauen Einstellung der Tonhöhe des VCO-3.
- c. **PULSE WIDTH-Slider** [10%...90%]
Regelt die Arbeitsphase der Pulswelle des VCO-3.
- d. **CV-Eingangsbuchse 1**
Tonhöhen-Steuerspannungseingang des VCO-3. Intern ist hier die Tastatursteuerspannung verkabelt.
- e. **CV-Eingangsbuchse 2**
Tonhöhen-Steuerspannungseingang des VCO-3. Intern ist hier der Rauschgenerator verkabelt.
- f. **CV-Eingangsbuchse 3**
Tonhöhen-Steuerspannungseingang des VCO-3. Intern ist hier der ADSR verkabelt.
- g. **CV-Eingangsbuchse 4**
Tonhöhen-Steuerspannungseingang des VCO-3. Intern ist hier Sinuswelle des VCO-2 verkabelt.
- h. **AUDIO/LF Wahlschalter** [KBD ON, KBD OFF]
Wählt aus, ob VCO-3 als Audiosignal oder LFO verwendet wird. Wird VCO-3 als LFO verwendet (KBD OFF), liegt die Tastatursteuerspannung nicht mehr am Eingang von VCO-3 an.
- i. **CV Eingangspiegel 2-Slider**
Regelt den Signalpegel des VCO-3 CV Eingangs 2.
- j. **CV Eingangspiegel 3-Slider**
Regelt den Signalpegel des VCO-3 CV Eingangs 3.
- k. **CV Eingangspiegel 4-Slider**
Regelt den Signalpegel des VCO-3 CV Eingangs 4.
- l. **SAWTOOTH-Ausgangsbuchse**
Hier liegt die Sägezahnwelle des VCO-3 an.
- m. **PULSE Ausgangsbuchse**
Hier liegt die Pulswelle des VCO-3 an.

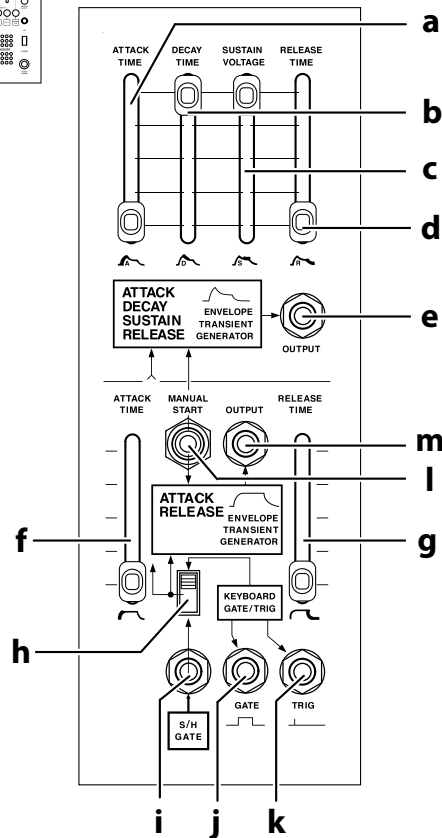
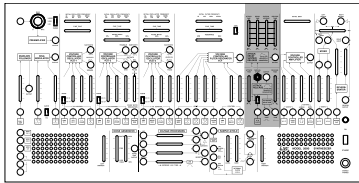
Oberseite (VCF-Sektion)



VCF (Spannungsgesteuertes Filter)

- a. **INITIAL FILTER FREQUENCY-Slider** [10 Hz...10 KHz]
Zur groben Einstellung der Cutoff-Frequenz des LPF (Tiefpassfilter). Wird der Slider nach links bewegt, wird der Hochfrequenzbereich des Eingangssignals beschnitten, was einen weichen Klang erzeugt. Wird der Slider nach rechts bewegt, wird ein härterer, klarerer Klang produziert.
⚡ Der Frequenzbereich ist ein Näherungswert.
- b. **FINE TUNE-Slider**
Zur genauen Einstellung der Cutoff-Frequenz des LPF.
- c. **RESONANCE-Slider**
Zur Einstellung des Resonanzpegels des Filters.
Modifiziert die Klangcharakteristik durch Boosten der Obertöne im Bereich der Cutoff-Frequenz. Wenn Sie den Slider hochziehen, beginnt ab einem gewissen Punkt die Selbstoszillation (Zustand, bei dem das VCF eigenständig einen Klang erzeugt).
- d. **TYPE-Schalter**..... [I, II]
Wählt den Typ des VCF.
TYPE I: ARP 2600 frühe Modelle
TYPE II: ARP 2600 späte Modelle
- e. **AUDIO-Eingangsbuchse 1**
Eingang für das Audiosignal des VCF. Intern ist hier der Ringmodulator verkabelt.
- f. **AUDIO-Eingangsbuchse 2**
Eingang für das Audiosignal des VCF. Intern ist hier die Rechteckwelle des VCO-1 verkabelt.
- g. **AUDIO-Eingangsbuchse 3**
Eingang für das Audiosignal des VCF. Intern ist hier die Pulsquelle des VCO-2 verkabelt.
- h. **AUDIO-Eingangsbuchse 4**
Eingang für das Audiosignal des VCF. Intern ist hier die Sägezahnwelle des VCO-3 verkabelt.
- i. **AUDIO-Eingangsbuchse 5**
Eingang für das Audiosignal des VCF. Intern ist hier der Rauschgenerator verkabelt.
- j. **CV-Eingangsbuchse 1**
Steuerspannungseingang zur Steuerung der Cutoff-Frequenz des VCF. Intern ist hier die Tastatursteuerspannung verkabelt.
- k. **CV-Eingangsbuchse 2**
Steuerspannungseingang zur Steuerung der Cutoff-Frequenz des VCF. Intern ist hier der ADSR verkabelt.
- l. **CV-Eingangsbuchse 3**
Steuerspannungseingang zur Steuerung der Cutoff-Frequenz des VCF. Intern ist hier Sinuswelle des VCO-2 verkabelt.
- m. **AUDIO Eingangspiegel 1-Slider**
Regelt den Signalpegel des VCF AUDIO-Eingangs 1.
- n. **AUDIO Eingangspiegel 2-Slider**
Regelt den Signalpegel des VCF AUDIO-Eingangs 2.
- o. **AUDIO Eingangspiegel 3-Slider**
Regelt den Signalpegel des VCF AUDIO-Eingangs 3.
- p. **AUDIO Eingangspiegel 4-Slider**
Regelt den Signalpegel des VCF AUDIO-Eingangs 4.
- q. **AUDIO Eingangspiegel 5-Slider**
Regelt den Signalpegel des VCF AUDIO-Eingangs 5.
- r. **CV Eingangspiegel 2-Slider**
Regelt den Signalpegel des VCF CV Eingangs 2.
- s. **CV Eingangspiegel 3-Slider**
Regelt den Signalpegel des VCF CV Eingangs 3.
- t. **Ausgangsbuchse**
Ausgang des VCF.

Oberseite (ADSR EG/ AR EG-Sektion)



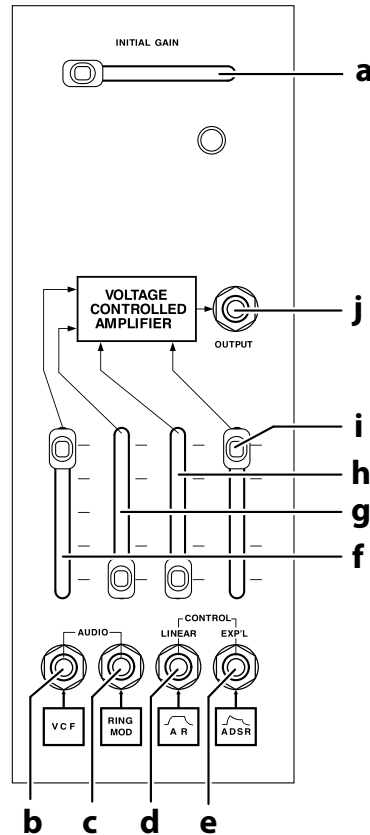
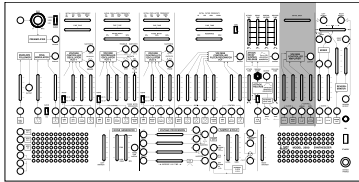
ADSR-EG (Hüllkurvengenerator)

- a. **ATTACK TIME-Slider**
Regelt die Anstiegszeit des ADSR-Hüllkurvengenerators.
- b. **DECAY TIME-Slider**
Regelt die Abfallzeit des ADSR-Hüllkurvengenerators.
- c. **SUSTAIN VOLTAGE-Slider**
Regelt die Haltezeit des ADSR-Hüllkurvengenerators.
- d. **RELEASE TIME-Slider**
Regelt die Freigabezeit des ADSR-Hüllkurvengenerators.
- e. **Ausgangsbuchse**
Ausgang des ADSR-Hüllkurvengenerators.

AS-EG (Hüllkurvengenerator)

- f. **ATTACK TIME-Slider**
Regelt die Anstiegszeit des AR-Hüllkurvengenerators.
- g. **RELEASE TIME-Slider**
Regelt die Freigabezeit des AR-Hüllkurvengenerators.
- h. **GATE/TRIG Quellenwahlschalter[S/H GATE, KEYBOARD GATE/TRIG]**
Wählt aus, ob das GATE/TRIGGER-Signal vom S/H GATE oder MIDI-Controller empfangen wird.
- i. **GATE-Eingangsbuchse**
Eingang für das Gate-Signal. Intern ist hier das S/H GATE verkabelt.
- j. **GATE-Ausgangsbuchse**
Gibt das Gate-Signal des MIDI-Controllers aus.
- k. **TRIG-Ausgangsbuchse**
Gibt das Trigger-Signal des MIDI-Controllers aus.
- l. **MANUAL START-Schalter**
Durch Drücken dieses Schalters wird ein Gate-Signal erzeugt, das ein ADSR/AR-Signal ausgibt. Damit können Sie sich den Sound anhören, ohne den MIDI-Controller zu verwenden.
- m. **Ausgangsbuchse**
Ausgang des AR-Hüllkurvengenerators.

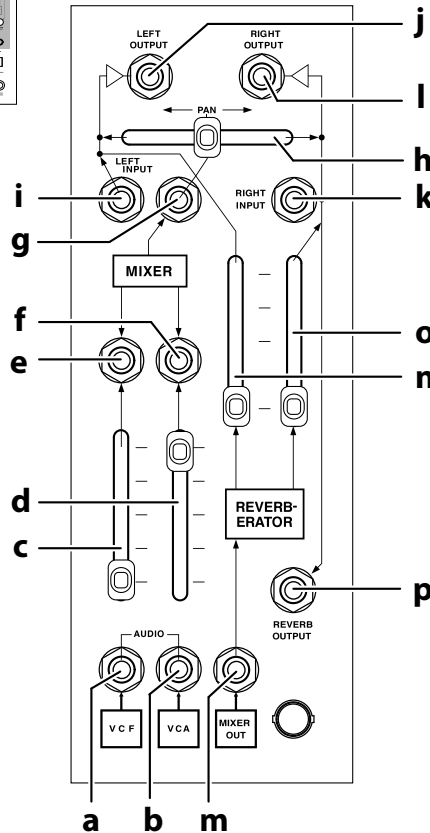
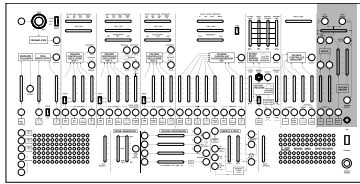
Oberseite (VCA-Sektion)



VCA (Spannungsgesteuerter Verstärker)

- a. **INITIAL GAIN-Slider**
Regelt die Offsetspannung der Steuerspannung des VCA.
- b. **AUDIO-Eingangsbuchse 1**
Eingang für das Audiosignal des VCA. Intern ist hier das VCF verkabelt.
- c. **AUDIO-Eingangsbuchse 2**
Eingang für das Audiosignal des VCA. Intern ist hier der Ringmodulator verkabelt.
- d. **CV-Eingangsbuchse 1**
Steuerspannungseingang zur Steuerung des VCA-Gains. Intern ist hier die AR-Hüllkurve verkabelt.
Der VCA-Gain ändert sich proportional zu dieser Steuerspannung.
- e. **CV-Eingangsbuchse 2**
Steuerspannungseingang zur Steuerung des VCA-Ausgangs. Intern ist hier die ADSR-Hüllkurve verkabelt.
Der Gain (Verstärkung) des VCA ändert sich exponentiell zur Steuerspannung.
- f. **AUDIO Eingangspegel 1-Slider**
Regelt den Audiosignalpegel des VCA AUDIO-Eingangs 1.
- g. **AUDIO Eingangspegel 2-Slider**
Regelt den Audiosignalpegel des VCA AUDIO-Eingangs 2.
- h. **CV Eingangspegel 1-Slider**
Regelt den Signalpegel des VCA CV-Eingangs 1.
- i. **CV Eingangspegel 2-Slider**
Regelt den Signalpegel des VCA CV-Eingangs 2.
- j. **Ausgangsbuchse**
Ausgang des VCA. Hier liegt ein Audiosignal an, dessen Lautstärke sich gemäß der Steuerspannungssignale aus CV-Eingang 1 und CV-Eingang 2 ändert.
⚡ Falls der INITIAL GAIN-Slider (a) ganz nach rechts bewegt wird, wird das Audiosignal fortlaufend ohne Anzuhalten wiedergegeben.

Oberseite (MIXER, REVERB-Sektion)



MIXER

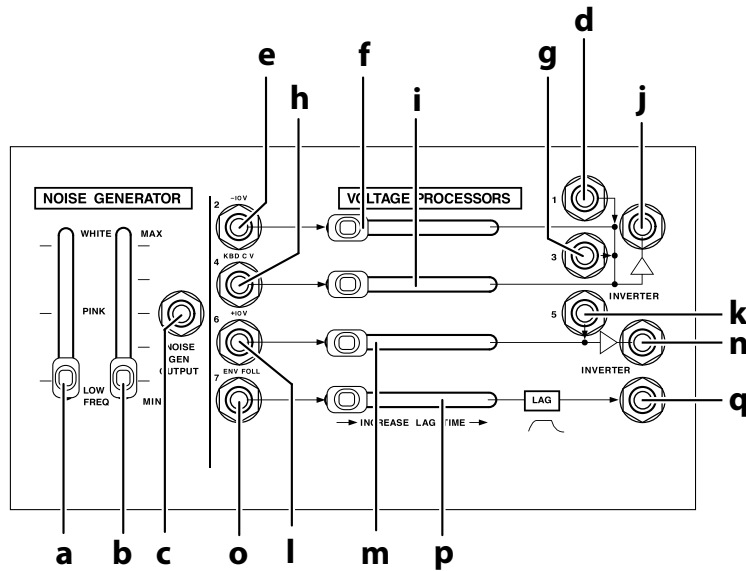
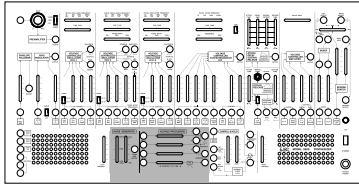
- a. Eingangsbuchse 1**
Mixer-Eingang. Intern ist hier der VCF-Ausgang verkabelt.
- b. Eingangsbuchse 2**
Mixer-Eingang. Intern ist hier der VCA-Ausgang verkabelt.
- c. Eingangspiegel 1-Slider**
Regelt den Audiosignalpegel des Mixer-Eingangs 1.
- d. Eingangspiegel 2-Slider**
Regelt den Audiosignalpegel des Mixer-Eingangs 2.
- e. AUDIO-Ausgangsbuchse 1**
Ausgang für das mit dem unter Punkt „c“ beschriebenen Bauteil bearbeitete Audiosignal.
⚡ Wird ein Patchkabel in diese Buchse gesteckt, wird das Audiosignal nicht ans Mischpult weitergeleitet.
- f. AUDIO-Ausgangsbuchse 2**
Ausgang für das mit dem unter Punkt „d“ beschriebenen Bauteil bearbeitete Audiosignal.
⚡ Wird ein Patchkabel in diese Buchse gesteckt, wird das Audiosignal nicht ans Mischpult weitergeleitet.
- g. L/R Eingangsbuchse**
Eingang für das am rechten sowie linken Kanal anliegende Audiosignal. Intern ist hier der Mixer-Ausgang verkabelt.
- h. PAN-Slider**
Regelt die Balance (Lautstärkeverhältnis links/rechts).
- i. LEFT INPUT-Buchse**
Eingang für den linken Kanal des Audioausgangs.

- j. LEFT OUTPUT-Buchse**
Hier liegt ein Audiosignal an, das aus der Summe des mit n. eingestellten Federhalls und dem Eingangssignal der LEFT INPUT-Buchse besteht.
- k. RIGHT INPUT-Buchse**
Eingang für den rechten Kanal des Audioausgangs.
- l. RIGHT OUTPUT-Buchse**
Hier liegt ein Audiosignal an, das aus der Summe des mit o. eingestellten Federhalls und dem Eingangssignal der RIGHT INPUT-Buchse besteht.

REVERB

- m. Eingangsbuchse**
Eingang des Federhalls. Intern ist hier der Mixer-Ausgang verkabelt.
- n. Pegel-Slider L**
Regelt den Eingangspiegel des linken Signals (LEFT) am Federhall.
- o. Pegel-Slider R**
Regelt den Eingangspiegel des rechten Signals (RIGHT) am Federhall.
- p. REVERB OUTPUT-Buchse**
Ausgang des Federhalls. Wird hier ein Patchkabel angeschlossen, wird das mit Hall bearbeitete Signal von l. nicht mehr ausgegeben.

Oberseite
(NOISE GENERATOR, VOLTAGE PROCESSORS-Sektion)



NOISE GENERATOR

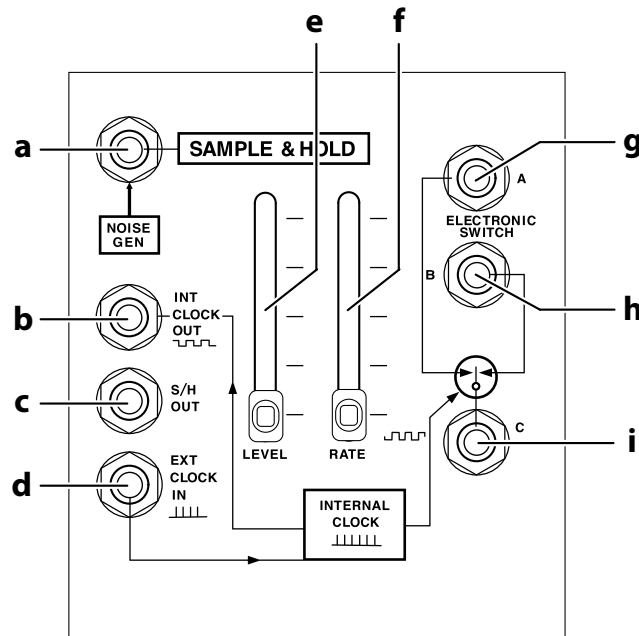
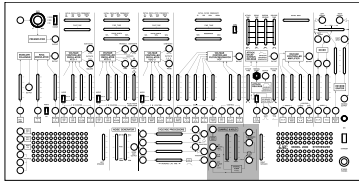
- a. **Rauschfarben-Slider**
 [LOW FREQ...PINK...WHITE]
 Regelt die Frequenzanteile des Rauschens.
- b. **Rauschpegel-Slider**
 Regelt den Signalpegel des Rauschgenerators.
- c. **NOISE GEN OUTPUT-Buchse**
 Ausgang des Rauschgenerators.

VOLTAGE PROCESSORS

- d. **Inverter-Eingangsbuchse 1**
 Eingang eines Inverters (Modul, dass eine Spannung invertiert).
- e. **Inverter-Eingangsbuchse 2**
 Eingang eines Inverters. Intern ist hier -10 V verkabelt.
- f. **Inverter Eingangsbuchse 2**
 Regelt den Spannungspegel der Inverter-Eingangsbuchse 2.
- g. **Inverter-Eingangsbuchse 3**
 Eingang eines Inverters.
- h. **Inverter-Eingangsbuchse 4**
 Eingang eines Inverters. Intern ist hier die Tastatursteuerspannung (KBD CV) verkabelt.
- i. **Inverter Eingangsbuchse-Schiebereglern 4**
 Regelt den Spannungspegel der Inverter-Eingangsbuchse 4.
- j. **Inverter-Ausgangsbuchse 1**
 Hier liegt die summierte invertierte Spannung der Inverter-Eingänge 1-4 an.
- k. **Inverter-Eingangsbuchse 5**
 Eingang eines Inverters.
- l. **Inverter-Eingangsbuchse 6**
 Eingang eines Inverters. Intern ist hier +10 V verkabelt.
- m. **Inverter Eingangsbuchse-Schiebereglern 6**
 Regelt den Spannungspegel der Inverter-Eingangsbuchse 6.
- n. **Inverter-Ausgangsbuchse 2**
 Hier liegt die summierte invertierte Spannung der Inverter-Eingänge 5 und 6 an.
- o. **LAG-Eingangsbuchse**
 Eingang der Laufzeitverzögerung (Delay). Intern ist hier der Ausgang des Hüllkurvenfolgers (siehe „ENVELOPE FOLLOWER“ auf Seite 50) verkabelt.
- p. **LAG TIME-Slider**
 Regelt die Länge der Laufzeitverzögerung (Delayzeit). Durch Schieben nach rechts wird das Ausgangssignal geglättet.
- q. **LAG-Ausgangsbuchse**
 Hier liegt das von der Laufzeitverzögerung geglättete Signal an.

Tipp: Wenn Sie eine invertierte Tastatursteuerspannung an einen VCO patchen, wird die Beziehung zwischen Tastatur und Tonhöhe invertiert.

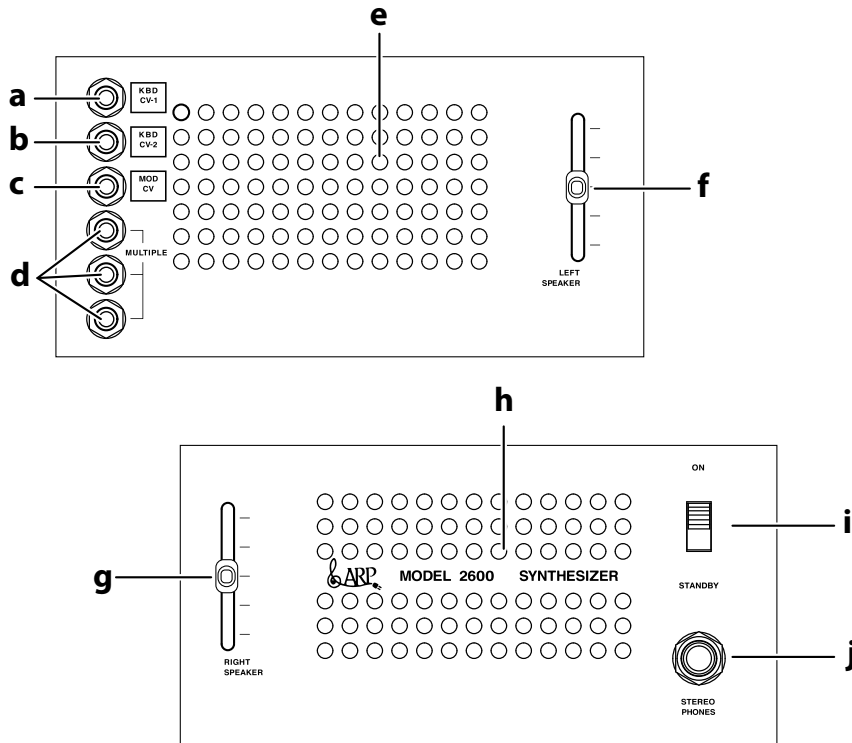
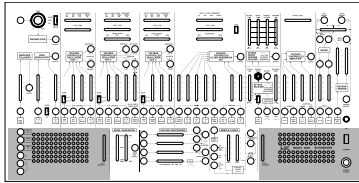
Oberseite (SAMPLE & HOLD-Sektion)



SAMPLE & HOLD

- a. SAMPLE & HOLD-Eingangsbuchse**
Eingang des Sample & Hold-Schaltkreises. Intern ist hier der Rauschgenerator verkabelt.
 - b. INT CLOCK OUT-Buchse**
Hier liegt das Clock-Signal des Clock-Generators (Uhr) dieses Geräts an.
 - c. S/H OUT-Buchse**
Hier liegt das Sample & Hold-Signal an.
 - d. EXT CLOCK IN-Buchse**
Eingang für externes Clock-Signal. Liegt an diesem Eingang eine VCO-1 Rechteckwelle o.ä. an, synchronisieren sich SAMPLE & HOLD mit dem Eingangssignal.
 - e. Sample & Hold Eingangspegel-Slider**
Regelt den Eingangspegel des Signals am Sample & Hold-Schaltkreis.
 - f. CLOCK RATE-Slider**[0,2 Hz...24 Hz]
Regelt die Frequenz der internen Uhr.
 - g. ELECTRONIC SWITCH A-Buchse**
Analoger Schalter, der sich zur Uhr synchronisiert. ELECTRONIC SWITCH B und C werden gemeinsam verwendet.
 - h. ELECTRONIC SWITCH B-Buchse**
Analoger Schalter, der sich zur Uhr synchronisiert. ELECTRONIC SWITCH A und C werden gemeinsam verwendet.
 - i. ELECTRONIC SWITCH C-Buchse**
Analoger Schalter, der sich zur Uhr synchronisiert. ELECTRONIC SWITCH A und B werden gemeinsam verwendet. Die Buchsen A-C und B-C werden abwechselnd synchron zur Uhr verbunden.
- Tipp:** Wird zum Beispiel Buchse A an LEFT INPUT, Buchse B an RIGHT INPUT und Buchse C an ein Audiosignal angeschlossen, erhält man einen Auto-Pan-Effekt.

Oberseite (SPEAKER-Sektion L, SPEAKER-Sektion R)



SPEAKER-Sektion L

a. KBD CV-1-Buchse

Gibt die Tonhöhen-Steuerspannungen aus, die den via MIDI-Controller empfangenen Note-on-Nachrichten entsprechen. Wird mehr als eine Note-on-Nachricht empfangen, wird die Tonhöhen-Steuerspannung ausgegeben, die der tiefsten Note entspricht.

Tip: Die KBD-Eingangssteuerspannung einer VCO oder des VCF ist gleich der Ausgangsspannung dieser KBD CV 1-Buchse.

b. KBD CV-2-Buchse

Gibt die Tonhöhen-Steuerspannungen aus, die den via MIDI-Controller empfangenen Note-on-Nachrichten entsprechen. Wird mehr als eine Note-on-Nachricht empfangen, wird die Tonhöhen-Steuerspannung ausgegeben, die der höchsten Note entspricht.

Tip: Wie genau sich die Tonhöhensteuerspannung beim Drücken mehrerer Tasten verhält, schlagen Sie bitte unter „Einstellungen des Voice Assign-Modus“ auf Seite 65 nach.

c. MOD CV-Buchse

Gibt die Steuerspannungen aus, die den via MIDI-Controller empfangenen Modulationsnachrichten (CC#01) entsprechen. Die Steuerspannung ändert sich in einem Bereich von etwa 0 V bis +7 V.

d. MULTIPLE-Buchsen

Mehrzweck-Signalverteilungsbuchsen (parallel) die sich für Audio- sowie Steuersignale eignen.

e. Interner Lautsprecher L

f. LEFT SPEAKER-Slider

Regelt die Lautstärke des internen Lautsprechers L. Regelt die Lautstärke des linken Kopfhörerkanals bei Anschluss eines Kopfhörers.

SPEAKER-Sektion R

g. RIGHT SPEAKER-Slider

Regelt die Lautstärke des internen Lautsprechers R. Regelt die Lautstärke des rechten Kopfhörerkanals bei Anschluss eines Kopfhörers.

h. Interner Lautsprecher R

i. Netzschalter

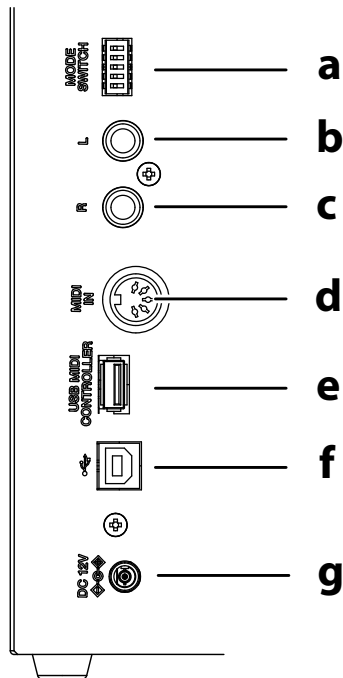
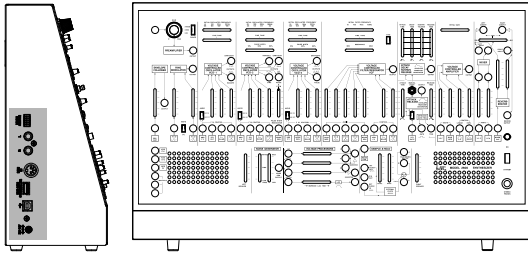
Hiermit schalten Sie das Gerät ein und aus.

j. STEREO PHONES-Buchse

Zum Anschluss eines Kopfhörers. Es handelt sich um eine 6,3 mm Stereo-Klinkenbuchse.

⚡ Beim Anschluss eines Kopfhörers werde die Gerätelautsprecher stumm geschaltet.

Seitliches Anschlussfeld (Mode-Schalter, Main-Ausgänge, MIDI, USB, Stromversorgung)



MODE SWITCH

Satz von 5 Schaltern zur Wahl des MIDI-Kanals und zum Einstellen der Energiesparfunktion.

a. MODE SWITCH 1–5

Die Kombination der Schalter 1–4 wählt einen MIDI-Kanal von 1–16 aus (siehe „MIDI-Kanal“ auf Seite 66). Mit Schalter 5 können Sie die Energiesparfunktion aktivieren oder deaktivieren (siehe „Ändern der Energiespareinstellungen“ auf Seite 63).

Hauptausgangsbuchsen

b. Hauptausgang L

Hier liegt der linke Kanal (L) des Audiosignals dieses Geräts an. Standard Klinkenbuchse (6,3 mm).

c. Hauptausgang R

Hier liegt der rechte Kanal (R) des Audiosignals dieses Geräts an. Standard Klinkenbuchse (6,3 mm).

MIDI

d. MIDI IN-Buchse

Schließen Sie Ihren MIDI-Controller mit einem MIDI-Kabel an den ARP 2600 M an, damit dieser MIDI-Daten empfangen kann.

USB

e. USB MIDI CONTROLLER-Port

Schließen Sie Ihren MIDI-Controller mit einem USB-Kabel direkt an den ARP 2600 M an, damit dieser MIDI-Daten empfangen kann.

⚠ Dieser Port ist nur für den Empfang von USB-MIDI-Nachrichten ausgelegt. Zum Anschluss eines Computers dient der USB B-Port (Punkt „f“).

⚠ Betreiben Sie USB-MIDI-Controller mit hohem Stromverbrauch mit dem dazugehörigen Netzteil.

⚠ USB-MIDI-Controller mit USB-Hub-Funktion lassen sich nicht verwenden.

f. USB B-Port

Zum Anschluss eines Computers und zur Übertragung (Senden und Empfangen) von MIDI-Daten.

Netzanschluss

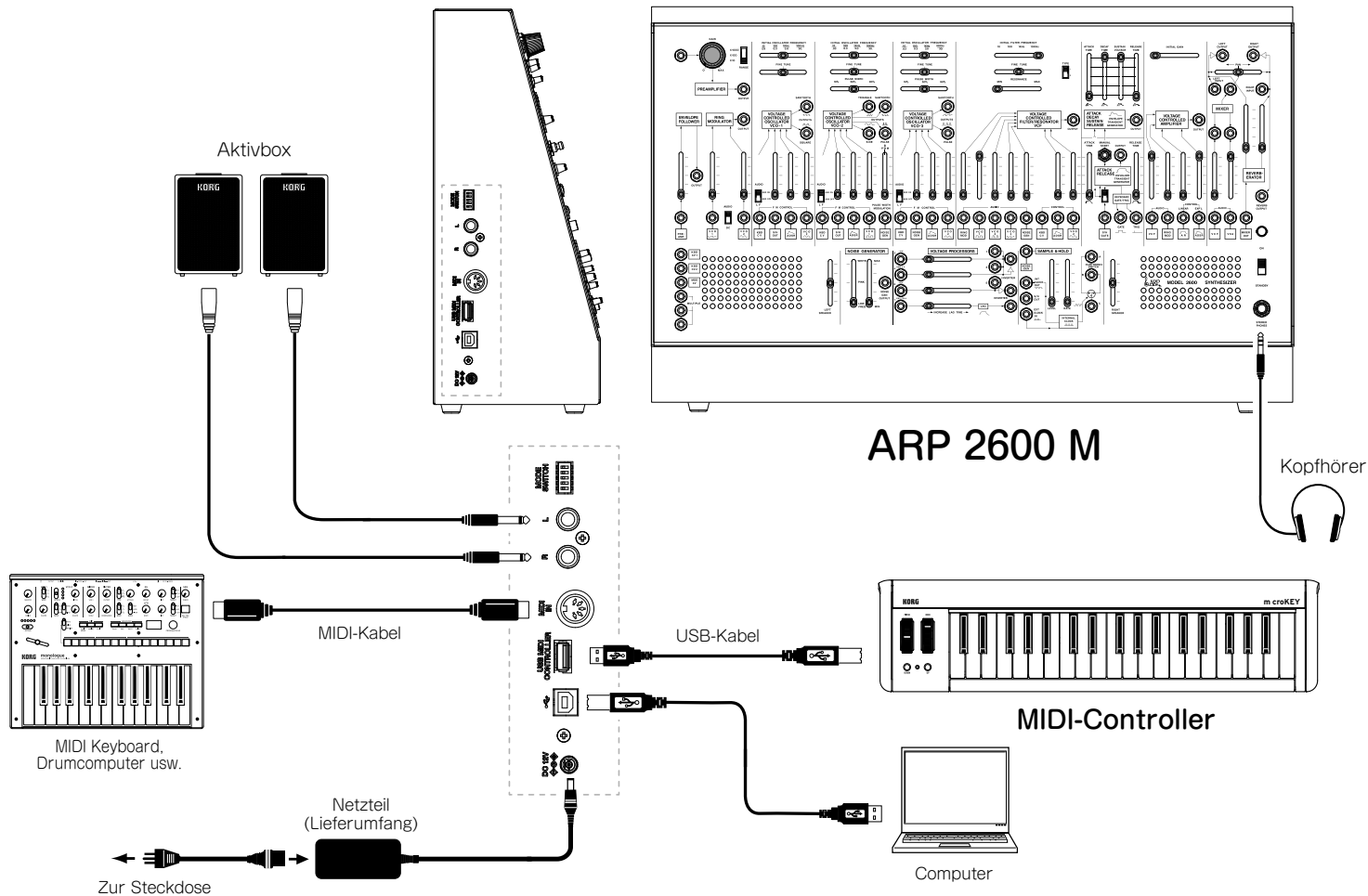
g. DC 12V-Buchse

Schließen Sie hier das beiliegende Netzteil an.

Vorbereitung

Anschlüsse

Nachstehend wird ein typisches Anschlussbeispiel gezeigt. Selbstverständlich können Sie sich auf die für Sie relevanten Geräte und Anschlüsse beschränken.



Einschalten

Vor dem Einschalten müssen Sie folgende Dinge überprüfen.

- Schauen Sie außerdem nach, ob das Netzteil überhaupt an eine Steckdose in Ihrer Gegend angeschlossen werden darf.
- Verwenden Sie nur das beiliegende Netzteil.
- Wenn Sie das Instrument an Aktivboxen, ein Mischpult usw. angeschlossen haben, müssen Sie deren Pegel ebenfalls auf den Mindestwert stellen und sie ausschalten.
- Schalten Sie den ARP 2600 M zunächst aus.

1. Bewegen Sie die Slider LEFT SPEAKER und RIGHT SPEAKER auf die Minimalposition.
2. Stecken Sie den Gleichstromstecker des beiliegenden Netzteils in die dafür vorgesehene Buchse des seitlichen Anschlussfelds des ARP 2600 M.
3. Verbinden Sie das Netzkabel mit einer Steckdose.
4. Verbinden Sie das beiliegende Netzteil mit dem Netzkabel.
5. Wenn Sie den Netzschalter dieses Geräts auf ON stellen, leuchtet die Netz-LED auf und das Gerät schaltet sich ein. Regeln Sie die Lautstärke Ihrer Aktivboxen bzw. Ihres externen Verstärkers herunter, bevor Sie sie/ihn einschalten.
6. Regeln Sie die Lautstärke mit den Slidern LEFT SPEAKER und RIGHT SPEAKER. Falls eine externe Klangquelle angeschlossen ist, heben Sie bei Bedarf deren Lautstärke an.

Tipp: Falls das Netzteil bei eingeschaltetem ARP 2600 M Kit getrennt wird oder die Energiesparfunktion ausgelöst wurde, kann es vorkommen, dass das Gerät ausgeschaltet wird, obwohl die Einschalttaste sich nicht in der Aus-Stellung befindet. Schalten Sie in diesem Fall vor einem erneuten Einschalten den ARP 2600 M erst aus.

Tipp: Falls Sie wenig Erfahrung im Erstellen von Sounds haben, raten wir Ihnen, die Regler wie im Abschnitt „Grundlegende Einstellungen“ beschrieben einzustellen.

Ausschalten

1. Regeln Sie die Lautstärke Ihrer Aktivboxen bzw. Ihres externen Verstärkers herunter und schalten Sie sie/ihn aus.
2. Wenn Sie den Netzschalter dieses Geräts auf STANDBY stellen, erlischt die Netz-LED und das Gerät schaltet sich aus.

Energiesparfunktion

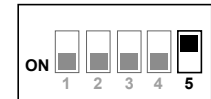
Der ARP 2600 M ist mit einer Energiesparfunktion ausgerüstet, die das Instrument automatisch ausschaltet, wenn es über etwa vier Stunden hinweg nicht gespielt oder benutzt worden ist. Werksseitig ist die Energiesparfunktion aktiviert.

Ändern der Energiespareinstellungen

Bei Bedarf können Sie die Energiesparfunktion aktivieren oder deaktivieren.

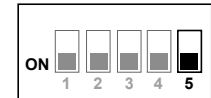
Energiesparfunktion deaktivieren

Schalten Sie den MODE SWITCH 5 des linken seitlichen Anschlussfelds aus (obere Position). Nun ist die Energiesparfunktion deaktiviert – Sie müssen die Einstellung nicht durch Aus- und Einschalten bestätigen.



Energiesparfunktion aktivieren

Schalten Sie den MODE SWITCH 5 des linken seitlichen Anschlussfelds ein (untere Position). Nun ist die Energiesparfunktion aktiviert – Sie müssen die Einstellung nicht durch Aus- und Einschalten bestätigen.



Erzeugen wir nun ein paar Sounds

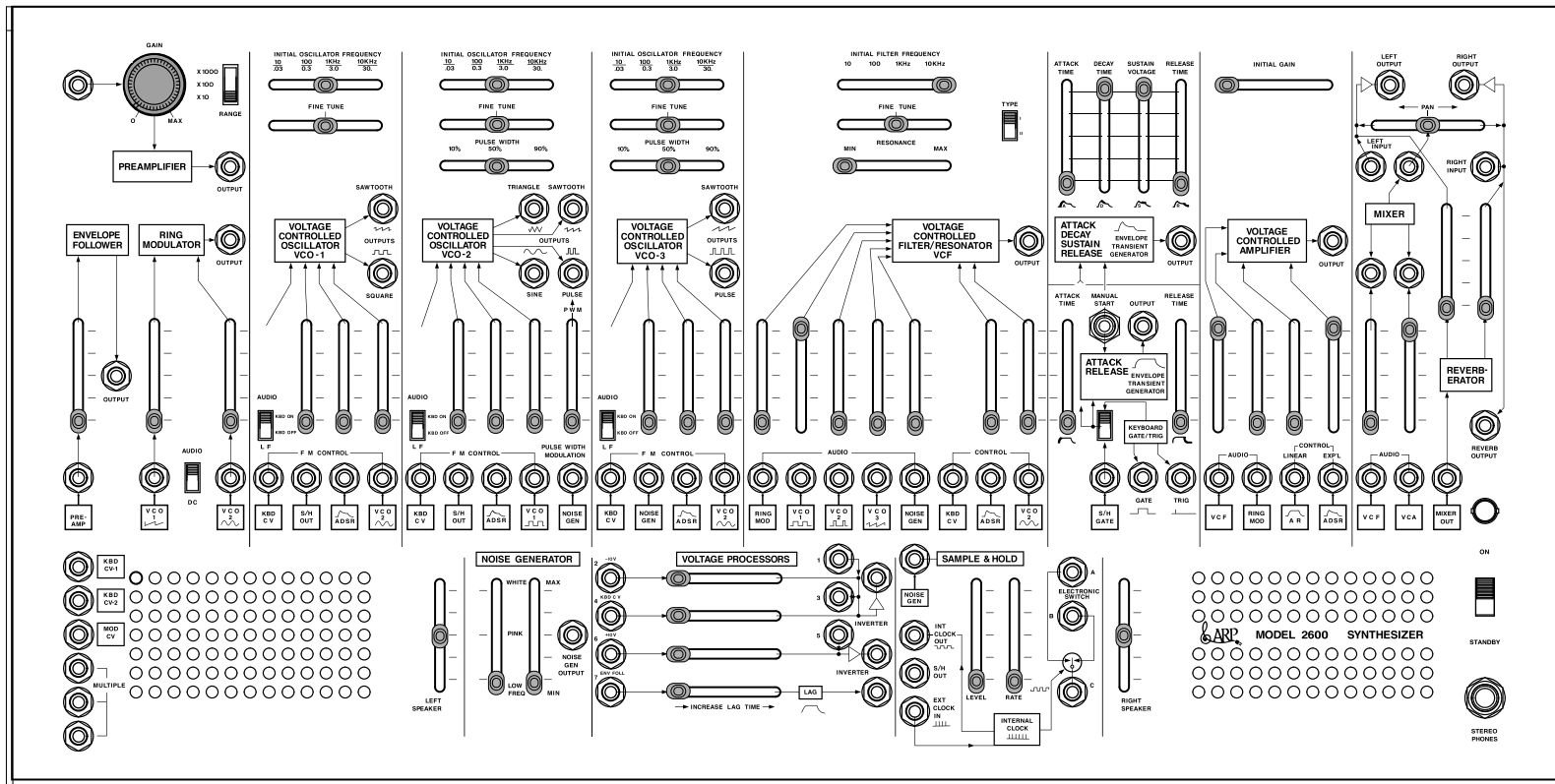
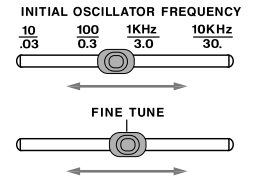
Grundlegende Einstellungen

Stellen Sie die Regler (Slider, Schalter usw.) des ARP 2600 M wie in der Abbildung unten gezeigt ein.

Wenn Sie mit diesen Einstellungen auf der Tastatur spielen wird allein der Klang der VCO-1 Rechteckwelle ausgegeben. Regeln Sie die Lautstärke mit dem Eingangspegel-Slider 2 der MIXER-Sektion (siehe „MIXER“ auf Seite 57).

Stimmen

Nachdem Sie wie oben beschrieben die grundlegenden Einstellungen am Gerät vorgenommen haben, stellen Sie mit dem FINE TUNE-Slider jedes VCO die korrekte Tonhöhe ein – verwenden Sie hierzu ein handelsübliches Stimmgerät (z. B. das Korg CA-50).



Einstellungen des Voice Assign-Modus

Der ARP 2600 M funktioniert als zweistimmiger Synthesizer (es können gleichzeitig zwei Sounds gespielt werden). Es gibt zwei unterschiedlicher Arten der Ausgabe von Tonhöhen-Steuerspannungen (Voice-Assign-Modi) beim Empfang von zwei MIDI-Note-on-Nachrichten, die Sie beim Hochfahren des Instruments konfigurieren können.

Normalmodus (Standard)

Hierbei handelt es sich um den ab Werk eingestellten Modus. Werden zwei Note-on-Nachrichten gleichzeitig empfangen, wird die tiefere Note als KBD CV-1, und die höhere als KBD CV-2 (UPPER VOICE) ausgegeben.

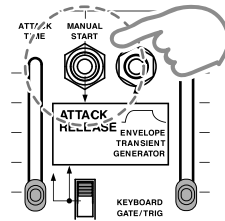
Originalmodus

Dieser Modus entspricht der Funktionsweise der originalen ARP 3620 Tastatureinheit. Wie im Normalmodus werden auch hier die tiefste Note als KBD CV-1 und die höchste als KBD CV-2 (UPPER VOICE) ausgegeben, wobei allerdings die tiefste und höchste Note so lange gehalten werden, bis das Gate-Signal eingeschaltet (erste Note gespielt) wird.

Modus auswählen

1. Schalten Sie den ARP 2600 M ein und halten Sie dabei den MANUAL START-Schalter auf der Oberseite gedrückt.
2. Sobald die Spannungsanzeige leuchtet, lassen Sie den MANUAL START-Schalter los und drücken ihn mehrmals. Durch dreimaliges Drücken des Schalters wählen Sie den Normalmodus, durch viermaliges Drücken den Originalmodus.
3. Die Einstellungen werden gespeichert (Spannungsanzeige blinkt) und das Instrument fährt normal hoch.
⚡ Warten Sie nach einer Änderung dieser Einstellung einige Sekunden (solange die Spannungsanzeige blinkt), bevor Sie das Instrument ausschalten. Andernfalls drohen Datenverluste und Fehlfunktionen.

Tipp: Es dauert einige Sekunden, bis die Voice Assign Einstellung gespeichert wird, die dann auch nach dem Ausschalten erhalten bleibt.



Trigger-Modus wählen

Wählt aus, wie der ADSR-Schaltkreis zu arbeiten beginnt (getriggert wird) wenn es zu konsekutiven Note-on-Nachrichten kommt.

Mehrfachtrigger-Modus (Standard)

Der ADSR-Schaltkreis wird von jeder Note-on-Nachricht getriggert.

Einzeltrigger-Modus

Verwenden Sie diesen Modus für Legato, da hier jede neue Note-on-Nachricht den ADSR-Schaltkreis triggert, bis dessen Freigabezeit abgelaufen ist.

Trigger-Modus wählen

1. Schalten Sie den ARP 2600 M ein und halten Sie dabei den MANUAL START-Schalter auf der Oberseite gedrückt.
2. Sobald die Spannungsanzeige leuchtet, lassen Sie den MANUAL START-Schalter los und drücken ihn mehrmals. Durch fünfmaliges Drücken des Schalters wählen Sie den Mehrfachtrigger-Modus, durch sechsmaliges Drücken den Einzeltrigger-Modus.
3. Die Einstellungen werden gespeichert (Spannungsanzeige blinkt) und das Instrument fährt normal hoch.
⚡ TRIGGER MODE wirkt sich nicht auf den AR-Schaltkreis aus.
⚡ Warten Sie nach einer Änderung dieser Einstellung einige Sekunden (solange die Spannungsanzeige blinkt), bevor Sie das Instrument ausschalten. Andernfalls drohen Datenverluste und Fehlfunktionen.

Tipp: Die Trigger-Modus-Einstellungen bleiben nach dem Ausschalten erhalten.

Über MIDI

MIDI-Geräte anschließen

Wenn Sie den ARP 2600 M an einen Computer oder einen externen MIDI-Sequencer anschließen, können Sie die Klangerzeugung des ARP 2600 M extern steuern.

Verwenden Sie ein handelsübliches MIDI-Kabel, um den MIDI IN-Anschluss des ARP 2600 M mit dem MIDI OUT-Anschluss des externen MIDI-Gerätes zu verbinden (siehe „Anschlüsse“ auf Seite 62).

MIDI IN-Anschluss: Hier werden MIDI-Nachrichten von anderen MIDI-Geräten empfangen. Verbinden Sie diesen Anschluss mit dem MIDI OUT-Anschluss des anderen Geräts. Über den MIDI IN-Anschluss des ARP 2600 M können unter anderem folgende MIDI-Nachrichten empfangen werden: Notennachrichten, Pitch-Bend, Modulation und Portamento.

- Der ARP 2600 M kann über seinen MIDI IN-Anschluss nur Notennachrichten empfangen, wobei die Anschlagsdynamik ignoriert wird. Es können Noten im Bereich von 012 (C0) bis -127 (G9) empfangen werden.

MIDI-Kanal

Es gibt sechzehn MIDI-Kanäle (1–16).

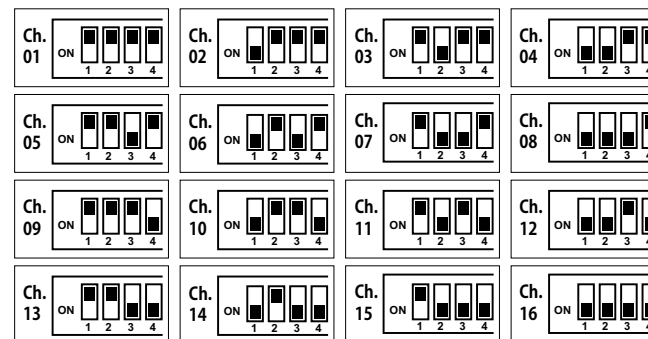
Wenn Sie ein externes MIDI-Gerät anschließen, müssen Sie am ARP 2600 M denselben MIDI-Kanal einstellen wie an Ihrem externen MIDI-Gerät. Werksseitig ist Kanal 1 eingestellt.

Tipp: Hinweise zum Einstellen des MIDI-Kanals Ihres externen Geräts finden Sie in dessen Bedienungsanleitung.

Den MIDI-Kanal des ARP 2600 M einstellen

Mit MODE SWITCH 1–4 auf der Rückseite wählen Sie den MIDI-Kanal. Die MIDI-Kanal-Einstellungen sind in der folgenden Tabelle aufgeführt. Der MIDI-Kanal ändert sich, sobald Sie die Einstellung ändern.

- Sie können den MIDI-Kanal auch während des Betriebs ändern, dadurch werden aber aktuell wiedergegebene Noten abgeschaltet. Der Pitch Bend wird ebenfalls zurückgesetzt.



Computer anschließen

Sie können den ARP 2600 M anstatt über den MIDI-Anschluss auch direkt per USB-Kabel an den USB-Port Ihres Computers anschließen, um MIDI-Nachrichten zu empfangen (siehe „Anschlüsse“ auf Seite 62).

Per USB-Port können nur folgende MIDI-Nachrichten übertragen werden: Notennachrichten (mit festem Velocity-Wert von 64 beim Senden und ignoriert der Anschlagsdynamik beim Empfangen) sowie Pitch-Bend- und Modulationsnachrichten (nur Empfang).

Tipp: Es können lediglich durch Spielen der Tastatur erzeugte MIDI-Notennachrichten gesendet werden. Bei Bedienung der Slider und Schalter werden keine MIDI-Nachrichten gesendet.

Tipp: Eine USB-Verbindung erfordert die Installation des KORG USB-MIDI-Treibers. Laden Sie sich auf der Korg Website (<http://www.korg.com/>) die neueste Version des KORG USB-MIDI-Treibers herunter und installieren Sie ihn gemäß der dem Treiber beigelegten Anleitung.

Über die MIDI-Implementations-tabelle

In der MIDI-Implementations-tabelle finden Sie die MIDI-Nachrichten, die gesendet und empfangen werden können. Wenn Sie ein MIDI-Gerät verwenden, überprüfen Sie anhand der MIDI-Implementations-tabellen, ob die MIDI-Nachrichten kompatibel sind. Die MIDI-Implementations-tabelle für dieses Gerät steht unter der Korg Website zum Download bereit.

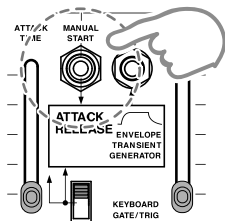
Tipp: Genauere Einzelheiten zur MIDI-Norm finden Sie unter MIDI-Implementation. Um mehr über die MIDI-Implementation zu erfahren besuchen Sie bitte die Korg Website. <http://www.korg.com/>

Laden der Werkseinstellungen

Sie können die Voice-Assign und Trigger-Modus-Einstellungen jederzeit auf die Werkseinstellungen zurücksetzen.

Zurücksetzen auf Werkseinstellungen

1. Schalten Sie den ARP 2600 M ein und halten Sie dabei den MANUAL START-Schalter auf der Oberseite gedrückt.
 2. Sobald die Spannungsanzeige leuchtet, lassen Sie den MANUAL START-Schalter los und drücken ihn achtmal hintereinander.
 3. Die Einstellungen werden geladen (Spannungsanzeige blinkt) und das Instrument fährt normal hoch.
- ⚠ Warten Sie nach einer Änderung dieser Einstellung einige Sekunden (solange die Spannungsanzeige blinkt), bevor Sie das Instrument ausschalten. Andernfalls drohen Datenverluste und Fehlfunktionen.



Fehlersuche

Das Gerät lässt sich nicht einschalten.

- Ist das Netzteil korrekt angeschlossen?

Es ist nichts zu hören.

- Ziehen Sie alle Patchkabel ab und setzen Sie probeweise alle Einstellungen des ARP 2600 M auf die Grundeinstellungen (siehe „Grundlegende Einstellungen“ auf Seite 64).
- Sind womöglich die Slider LEFT SPEAKER, RIGHT SPEAKER (siehe „Oberseite (SPEAKER-Sektion L, SPEAKER-Sektion R)“ auf Seite 60), der VCA AUDIO Eingangspegel-Slider 1 der VCA-Sektion (siehe „VCA (Spannungsgesteuerter Verstärker)“ auf Seite 56), der Eingangspegel-Slider 1 oder der Eingangspegel-Slider 2 der MIXER-Sektion (siehe „MIXER“ auf Seite 57) ganz heruntergedreht?
- Haben Sie den ARP 2600 M korrekt an den Eingang Ihres Verstärkers, Mischpults oder Kopfhörers angeschlossen?
- Haben Sie den Verstärker oder das Mischpult eingeschaltet und dort die Lautstärke aufgedreht?
- Haben Sie womöglich einen Kopfhörer ans Instrument angeschlossen? Bei angeschlossenem Kopfhörer geben die Gerätelautsprecher keinen Klang aus.

Keine Reaktion auf von einem externen Gerät gesendete MIDI-Daten.

- Haben Sie das MIDI- oder USB-Kabel korrekt angeschlossen? (siehe „Anschlüsse“ auf Seite 62)
- Entspricht der MIDI-Kanal, auf dem das externe MIDI-Gerät die Daten sendet, dem globalen MIDI-Kanal des ARP 2600 M? (siehe „MIDI-Kanal“ auf Seite 66)
- Verfügt der USB-MIDI-Controller über eine USB-Hub-Funktion? USB-MIDI-Controller mit USB-Hub-Funktion lassen sich nicht verwenden.

Der Klang einer externen Audioquelle kann nicht wiedergegeben oder bearbeitet werden.

- Ist die externe Audioquelle korrekt an den Eingang der PREAMPLIFIER-Sektion angeschlossen? Oder steht womöglich der GAIN-Regler auf 0? (siehe „PREAMPLIFIER“ auf Seite 50)
- Ist der Ausgang der PREAMPLIFIER-Sektion mit dem Audioeingang von VCF oder MIXER verbunden?

Technische Daten

Betriebstemperatur:	0 – +40 °C (ohne Kondenswasserbildung)
Maximale Polyphonie:	2 Stimmen für Duophonie, normalerweise monophonisch
VCO-1 (Spannungsgesteuerter Oszillator 1)	
Wellenformen:	Sägezahn, Rechteck
Frequenzumfang:	ca. 0,03 Hz – 30 Hz (Low freq.-Modus) ca. 10 Hz – 10 kHz (Audio Modus)
Steuerspannungslogik:	1 V/Okt. (C3≈0V)
VCO-2 (Spannungsgesteuerter Oszillator 2)	
Wellenformen:	Sägezahn, Puls (dynamischer Impuls), Dreieck, Sinus
Frequenzumfang:	ca. 0,03 Hz – 30 Hz (Low freq.-Modus) ca. 10 Hz – 10 kHz (Audio Modus)
Impulsbreite:	10% – 90%
Steuerspannungslogik:	1 V/Okt. (C3≈0V)
VCO-3 (Spannungsgesteuerter Oszillator 3)	
Wellenformen:	Sägezahn, Puls (dynamischer Impuls)
Frequenzumfang:	ca. 0,03 Hz – 30 Hz (Low freq.-Modus) ca. 10 Hz – 10 kHz (Audio Modus)
Impulsbreite:	10% – 90%
Steuerspannungslogik:	1 V/Okt. (C3≈0V)
VCF (Spannungsgesteuertes Filter)	
Typen:	Low pass (TYPE I: früh: 24 dB/Okt. / TYPE II spät: 24 dB/Okt.).
Frequenzumfang:	ca. 10 Hz – 10 kHz
Resonanz:	1/2 – Selbstoszillation
VCA (Spannungsgesteuerter Verstärker)	
Steuerspannung:	AR Typ (intern verkabelt) ADSR-Typ (intern verkabelt)
Rauschgenerator:	Rauscharten (weiß und rosa)
RINGMODULATOR	
Typ:	Analoger Multiplizierer
Eingangssignal (intern verkabelt):	VCO-1 Sägezahnwelle, VCO-2 Sinuswelle

SAMPLE & HOLD

Gesampeltes Signal: Rauschen (intern verkabelt)

AUDIOAUSGÄNGE

Oberseite (LEFT, RIGHT OUTPUT-Buchsen)

Anschluss: 3,5 mm Mono-Klinkenbuchse

Maximaler Ausgangspegel: +9 dBu @ 10 kΩ Last

Ausgangsimpedanz: 1,2 kΩ

Seitliches Anschlussfeld

Anschluss: 6,3 mm Mono-Klinkenbuchse

Maximaler Ausgangspegel: +4 dBu @ 600 Ω Last

Ausgangsimpedanz: 1,2 kΩ

KOPFHÖRERANSCHLUSS

Anschluss: 6,3 mm Stereo-Klinkenbuchse

Maximaler Ausgangspegel: 50 mW + 50 mW @ 33 Ω Last

Ausgangsimpedanz: 20 Ω

EXTERNER AUDIOEINGANG (PREAMPLIFIER INPUT)

Anschluss: 3,5 mm Mono-Klinkenbuchse

Maximaler Eingangspegel: -10 dBu

Eingangsimpedanz: 100 kΩ

MIDI-Anschluss:

IN

USB-Anschluss:

Typ A, Typ B

Netzspannung:

AC-Netzteil (DC 12V, )

Leistungsaufnahme:

13 W

Abmessungen (B × T × H), Gewicht: 520 × 129 × 311 mm, 6,0 kg

Lieferumfang: Schwerer Fall, AC-Netzteil, 10 Patchkabeln,
Bedienungsanleitung

Zubehör (im Fachhandel erhältlich): microKEY 2-Serie, SQ-64, usw.

* Änderungen der technischen Daten und des Designs ohne vorherige
Ankündigung vorbehalten.

Precauciones

Ubicación

El uso de la unidad en las siguientes ubicaciones puede dar como resultado un mal funcionamiento:

- Expuesto a la luz directa del sol
- Zonas de extremada temperatura o humedad
- Zonas con exceso de suciedad o polvo
- Zonas con excesiva vibración
- Cercano a campos magnéticos

Fuente de alimentación

Por favor, conecte el adaptador de corriente designado a una toma de corriente con el voltaje adecuado. No lo conecte a una toma de corriente con voltaje diferente al indicado.

Interferencias con otros aparatos

Las radios y televisores situados cerca pueden experimentar interferencias en la recepción. Opere este dispositivo a una distancia prudencial de radios y televisores.

Manejo

Para evitar una rotura, no aplique excesiva fuerza a los conmutadores o controles.

Cuidado

Si exterior se ensucia, límpiase con un trapo seco. No use líquidos limpiadores como disolvente, ni compuestos inflamables.

Guarde este manual

Después de leer este manual, guárdelo para futuras consultas.

Mantenga los elementos externos alejados del equipo

Nunca coloque ningún recipiente con líquido cerca de este equipo, podría causar un cortocircuito, fuero o descarga eléctrica. Cuide de que no caiga ningún objeto metálico dentro del equipo. Si cae algo dentro del equipo, desenchufe el adaptador de CA de la toma de corriente. A continuación, póngase en contacto con el distribuidor VOX más cercano o con el establecimiento donde compró el producto.

NOTA IMPORTANTE PARA EL CONSUMIDOR

Este producto ha sido fabricado de acuerdo a estrictas especificaciones y requerimientos de voltaje aplicables en el país para el cual está destinado. Si ha comprado este producto por internet, a través de correo, y/o venta telefónica, debe usted verificar que el uso de este producto está destinado al país en el cual reside.

AVISO: El uso de este producto en un país distinto al cual está destinado podría resultar peligroso y podría invalidar la garantía del fabricante o distribuidor. Por favor guarde su recibo como prueba de compra ya que de otro modo el producto puede verse privado de la garantía del fabricante o distribuidor.

Nota respecto a residuos y desechos (solo UE)



Cuando aparezca el símbolo del cubo de basura tachado sobre un producto, su manual del usuario, la batería, o el embalaje de cualquiera de éstos, significa que cuando quiere tire dichos artículos a la basura, ha de hacerlo en acuerdo con la normativa vigente de la Unión Europea. No debe verter dichos artículos junto con la basura de casa. Verter este producto de manera adecuada ayudará a evitar daños a su salud pública y posibles daños al medioambiente. Cada país tiene una normativa específica acerca de cómo verter productos potencialmente tóxicos, por tanto le rogamos que se ponga en contacto con su oficina o ministerio de medioambiente para más detalles. Si la batería contiene metales pesados por encima del límite permitido, habrá un símbolo de un material químico, debajo del símbolo del cubo de basura tachado.

* Todos los nombres de productos y compañías son marcas comerciales o marcas registradas de sus respectivos propietarios.

Tabla de contenido

Introducción al ARP 2600 M... 70	Primeros pasos..... 84
Acerca del sintetizador ARP 2600... 70	Conexiones..... 84
Características principales..... 70	Activar el equipo..... 85
Diagrama de bloques..... 71	Desactivar el equipo..... 85
Descripción y funciones de los paneles..... 72	Función de desactivación automática..... 85
Panel frontal (sección PREAMPLIFIER, ENVELOPE FOLLOWER, RING MODULATOR)..... 72	Creación de sonidos de ejemplo..... 86
Panel frontal (sección VCO-1)..... 73	Ajustes básicos..... 86
Panel frontal (sección VCO-2)..... 74	Afinación..... 86
Panel frontal (sección VCO-3)..... 75	Ajustes del modo de asignación de voces..... 87
Panel frontal (sección VCF)..... 76	Ajuste del modo de disparador... 87
Panel frontal (sección ADSR EG/ AR EG)..... 77	Acerca de MIDI..... 88
Panel frontal (sección VCA)..... 78	Conexión de dispositivos MIDI.... 88
Panel frontal (sección MIXER, REVERB)..... 79	Conexión de un ordenador..... 88
Panel frontal (sección NOISE GENERATOR, VOLTAGE PROCESSORS)..... 80	Acerca de la tabla de implementación MIDI..... 89
Panel frontal (sección SAMPLE & HOLD)..... 81	Restablecer los ajustes de fábrica..... 89
Panel frontal (sección SPEAKER LEFT, sección SPEAKER RIGHT)..... 82	Solución de problemas.... 89
Panel lateral (selectores de modo, jacks de salida principal, MIDI, USB, conector de alimentación)..... 83	Especificaciones..... 90

Introducción al ARP 2600 M

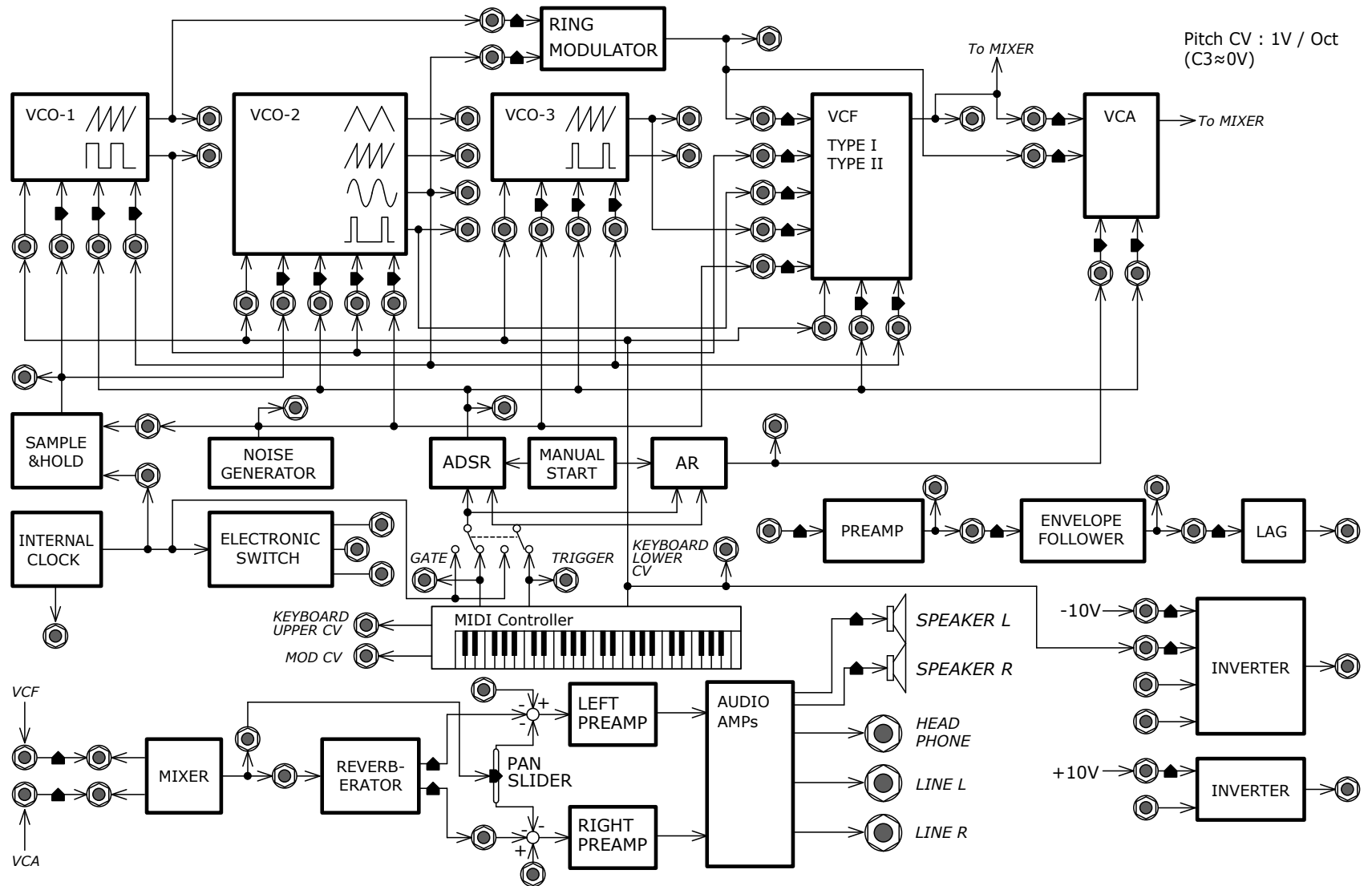
Acerca del sintetizador ARP 2600

El ARP 2600 se fabricó y se comercializó desde 1971 hasta 1981, y fue un producto destacado de ARP Instruments, Inc. Excepto los primeros modelos que tenían cuerpo metálico, el 2600 es bien conocido por su configuración tipo maleta con el módulo de sintetizador y el módulo de teclado separados. En una época en la que los grandes sistemas modulares estaban todavía muy generalizados, el ARP 2600 salió al mercado como un sintetizador semimodular que podía transportarse. Los módulos principales estaban preconectados internamente para que pudiera producirse sonido inmediatamente sin hacer conexiones de patch, y haciendo conexiones de patch podían diseñarse sonidos extremadamente complejos. Su enorme potencial a la hora de diseñar sonidos hizo que el ARP 2600 fuese utilizado en grabaciones por muchos músicos, en la producción de música para películas y en entornos educacionales. Otra características significativas eran sus altavoces integrados y la reverberación de muelle.

Características principales

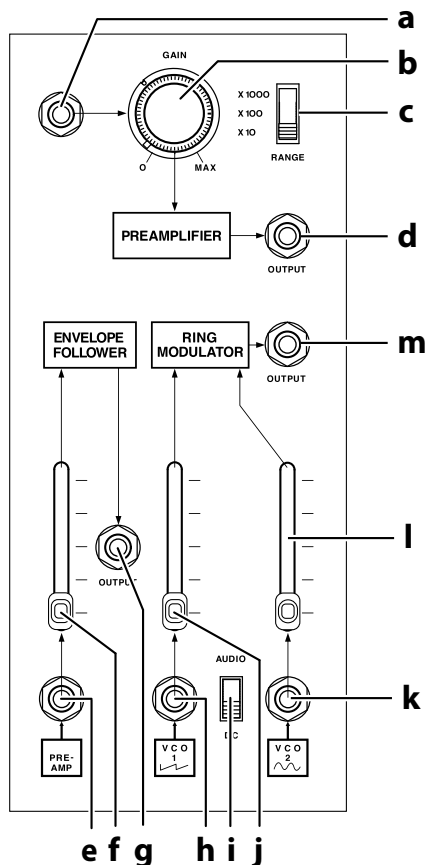
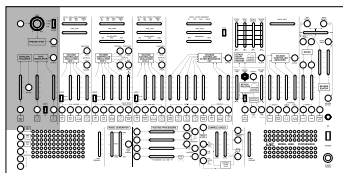
- El ARP 2600 M es un auténtico sintetizador aunque portátil, con tan solo el 60% del tamaño del ARP 2600 original pero con el mismo diseño y la misma funcionalidad.
- Equipado con varios VCO, VCE y VCA que utilizan los circuitos analógicos del ARP 2600 original, este instrumento ofrece unas capacidades de diseño de sonido mucho más allá de un sintetizador analógico típico, lo que permite flexibilidad y mucha improvisación en la síntesis.
- Los cables de patch incluidos permiten gran flexibilidad en las conexiones de patch. Como cada módulo está conectado internamente de forma predeterminada, la unidad también se puede utilizar sin necesidad de hacer conexiones con los cables de patch.
- Se proporcionan dos tipos de VCF (modelos primeros y posteriores), que se pueden seleccionar mediante un simple conmutador.
- Se proporcionan dos tipos de generadores de envolventes: tipo ADSR y tipo AR.
- Dado que cuenta con un jack de entrada de audio, también se puede procesar sonido introducido externamente, como por ejemplo la señal de una guitarra o un micrófono.
- Se proporcionan un puerto USB y conectores MIDI para poder conectar la unidad a un ordenador o a dispositivos MIDI.
- El ARP 2600 M dispone de un puerto USB MIDI CONTROLLER que permite conectar directamente el sintetizador a un controlador MIDI sin utilizar una interfaz USB-MIDI. (No es compatible con controladores MIDI que tengan funcionalidad de HUB USB).

Diagrama de bloques



Descripción y funciones de los paneles

Panel frontal (sección PREAMPLIFIER, ENVELOPE FOLLOWER, RING MODULATOR)



PREAMPLIFIER (preamplificador)

- a. **Jack de entrada**
Por este jack se introduce la señal de audio de un micrófono, una guitarra eléctrica u otra fuente.
- b. **Mando GAIN**.....[0...MAX]
Ajusta la ganancia del preamplificador.
- c. **Conmutador RANGE**.....[x10, x100, x1000]
Selecciona la relación de amplificación del preamplificador.
- d. **Jack de salida**
Por este jack sale la señal que es amplificada por el preamplificador.

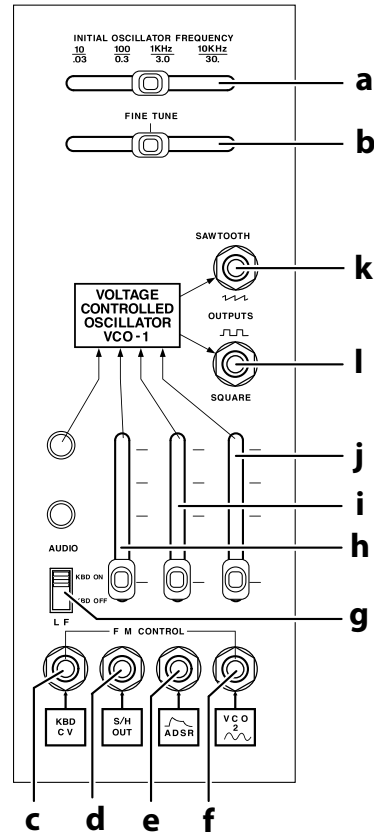
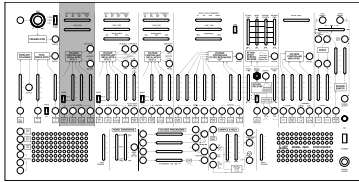
ENVELOPE FOLLOWER (seguidor de envolvente)

- e. **Jack de entrada**
Por este jack se introduce una señal al seguidor de envolvente. La salida del preamplificador está conectada internamente.
- f. **Deslizador de nivel de entrada**
Ajusta el nivel de la señal que se introduce al seguidor de envolvente.
- g. **Jack de salida**
Este es el jack de salida del seguidor de envolvente. Emite un contorno de la señal de entrada.

RING MODULATOR (modulador en anillo)

- h. **Jack de entrada 1**
Por este jack se introduce la primera señal al modulador en anillo. La onda de sierra de VCO-1 está conectada internamente.
- i. **Conmutador de selección de entrada**.....[AUDIO, DC]
Si se ajusta este conmutador en AUDIO, se cortará la desviación de CC de la señal de entrada.
Si se ajusta en DC, la señal de entrada pasa sin modificación al modulador en anillo. Elija esta opción cuando introduzca un CV (voltaje de control).
- j. **Deslizador de nivel de entrada 1**
Ajusta el nivel de la señal del jack de entrada 1. La onda de sierra de VCO-1 está conectada internamente.
- k. **Jack de entrada 2**
Por este jack se introduce la segunda señal al modulador en anillo. La onda sinusoidal de VCO-2 está conectada internamente.
- l. **Deslizador de nivel de entrada 2**
Ajusta el nivel de la señal del jack de entrada 2.
- m. **Jack de salida**
Este es el jack de salida del modulador en anillo. Por él sale una señal producida por la multiplicación de las dos entradas.

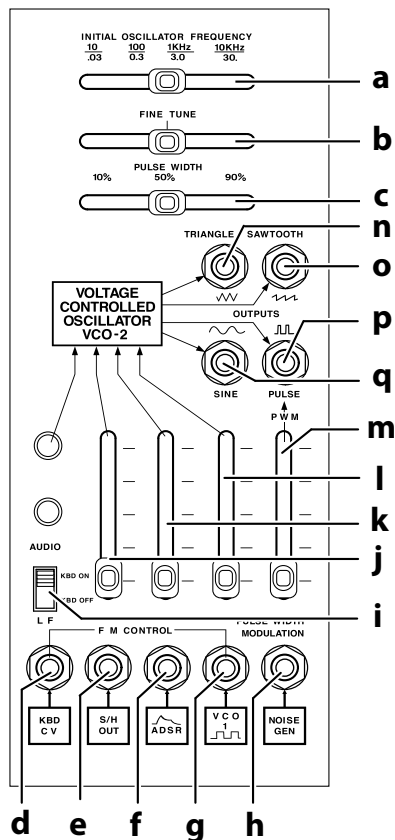
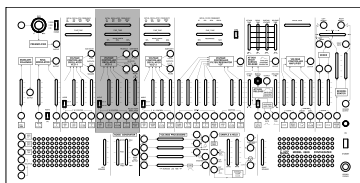
Panel frontal (sección VCO-1)



VCO-1 (oscilador controlado por voltaje 1)

- a. **Deslizador INITIAL OSCILLATOR FREQUENCY**.....[10(.03)Hz...10K(30.)Hz]
Ajusta a grandes rasgos la afinación de VCO-1.
⚡ La gama de frecuencias es un valor aproximado.
- b. **Deslizador FINE TUNE**
Ajusta con precisión la afinación de VCO-1.
- c. **Jack de entrada de CV 1**
Es un jack de entrada de CV de afinación para VCO-1. KBD CV está conectado internamente.
- d. **Jack de entrada de CV 2**
Es un jack de entrada de CV de afinación para VCO-1. S/H OUT está conectado internamente.
- e. **Jack de entrada de CV 3**
Es un jack de entrada de CV de afinación para VCO-1. ADSR está conectado internamente.
- f. **Jack de entrada de CV 4**
Es un jack de entrada de CV de afinación para VCO-1. La onda sinusoidal de VCO-2 está conectada internamente.
- g. **Selector AUDIO/LF** [KBD ON, KBD OFF]
Selecciona si se utiliza VCO-1 como señal de audio o como LFO. Cuando se utiliza VCO-1 como LFO (KBD OFF), el KBD CV deja de introducirse en VCO-1.
- h. **Deslizador de entrada de CV 2**
Ajusta el nivel de la señal de la entrada de CV 2 para VCO-1.
- i. **Deslizador de entrada de CV 3**
Ajusta el nivel de la señal de la entrada de CV 3 para VCO-1.
- j. **Deslizador de entrada de CV 4**
Ajusta el nivel de la señal de la entrada de CV 4 para VCO-1.
- k. **Jack de salida SAWTOOTH**
Por él sale la onda de sierra de VCO-1.
- l. **Jack de salida SQUARE**
Por él sale la onda cuadrada de VCO-1.

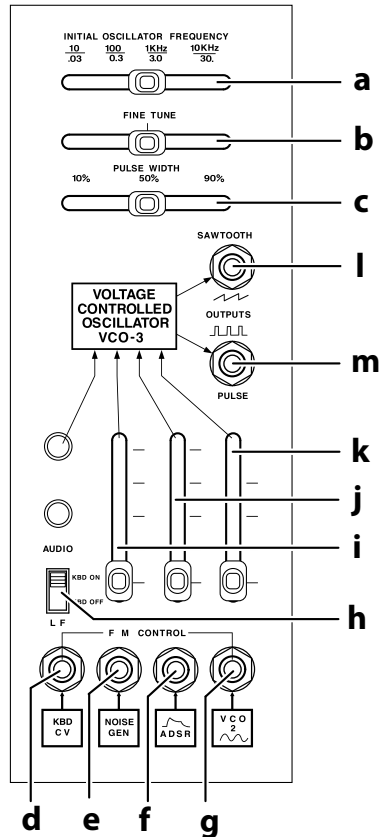
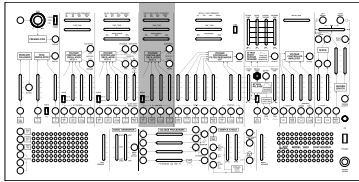
Panel frontal (sección VCO-2)



VCO-2 (oscilador controlado por voltaje 2)

- a. **Deslizador INITIAL OSCILLATOR FREQUENCY**
 [10(.03)Hz...10K(30.)Hz]
 Ajusta a grandes rasgos la afinación de VCO-2.
 ▲ La gama de frecuencias es un valor aproximado.
- b. **Deslizador FINE TUNE**
 Ajusta con precisión la afinación de VCO-2.
- c. **Deslizador PULSE WIDTH**
 [10%...90%]
 Ajusta el ciclo de operación de la onda de impulso de VCO-2.
- d. **Jack de entrada de CV 1**
 Es un jack de entrada de CV de afinación para VCO-2. KBD CV está conectado internamente.
- e. **Jack de entrada de CV 2**
 Es un jack de entrada de CV de afinación para VCO-2. S/H OUT está conectado internamente.
- f. **Jack de entrada de CV 3**
 Es un jack de entrada de CV de afinación para VCO-2. ADSR está conectado internamente.
- g. **Jack de entrada de CV 4**
 Es un jack de entrada de CV de afinación para VCO-2. La onda cuadrada de VCO-1 está conectada internamente.
- h. **Jack de entrada PULSE WIDTH MODULATION**
 Este es el jack de entrada para el CV que controla el ciclo de operación de la salida de onda de impulso de VCO-2. El generador de ruido está conectado internamente.
- i. **Selector AUDIO/LF**
 [KBD ON, KBD OFF]
 Selecciona si se utiliza VCO-2 como señal de audio o como LFO. Cuando se utiliza VCO-2 como LFO (KBD OFF), el KBD CV deja de introducirse en VCO-2.
- j. **Deslizador de nivel de entrada de CV 2**
 Ajusta el nivel de la señal de la entrada de CV 2 para VCO-2.
- k. **Deslizador de nivel de entrada de CV 3**
 Ajusta el nivel de la señal de la entrada de CV 3 para VCO-2.
- l. **Deslizador de nivel de entrada de CV 4**
 Ajusta el nivel de la señal de la entrada de CV 4 para VCO-2.
- m. **Deslizador de nivel de entrada PULSE WIDTH MODULATION**
 Ajusta la cantidad de modulación de la amplitud del impulso.
- n. **Jack de salida TRIANGLE**
 Por él sale la onda triangular de VCO-2.
- o. **Jack de salida SAWTOOTH**
 Por él sale la onda de sierra de VCO-2.
- p. **Jack de salida PULSE**
 Por él sale la onda de impulso de VCO-2.
- q. **Jack de salida SINE**
 Por él sale la onda sinusoidal de VCO-2.

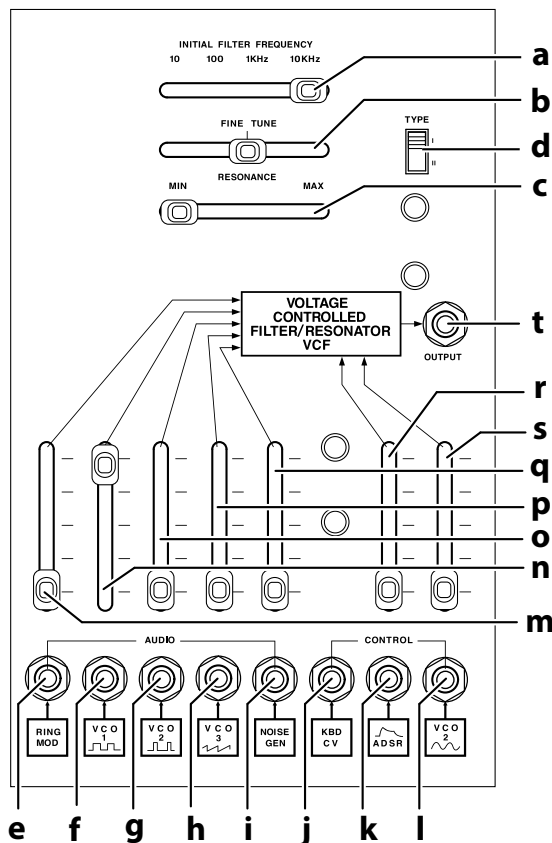
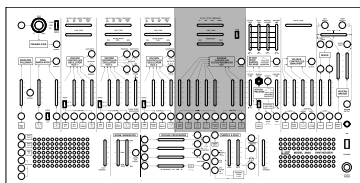
Panel frontal (sección VCO-3)



VCO-3 (oscilador controlado por voltaje 3)

- a. **Deslizador INITIAL OSCILLATOR FREQUENCY**[10(.03)Hz...10K(30.)Hz]
Ajusta a grandes rasgos la afinación de VCO-3.
⚡ La gama de frecuencias es un valor aproximado.
- b. **Deslizador FINE TUNE**
Ajusta con precisión la afinación de VCO-3.
- c. **Deslizador PULSE WIDTH** [10%...90%]
Ajusta el ciclo de operación de la onda de impulso de VCO-3.
- d. **Jack de entrada de CV 1**
Es un jack de entrada de CV de afinación para VCO-3. KBD CV está conectado internamente.
- e. **Jack de entrada de CV 2**
Es un jack de entrada de CV de afinación para VCO-3. El generador de ruido está conectado internamente.
- f. **Jack de entrada de CV 3**
Es un jack de entrada de CV de afinación para VCO-3. ADSR está conectado internamente.
- g. **Jack de entrada de CV 4**
Es un jack de entrada de CV de afinación para VCO-3. La onda sinusoidal de VCO-2 está conectada internamente.
- h. **Selector AUDIO/LF** [KBD ON, KBD OFF]
Selecciona si se utiliza VCO-3 como señal de audio o como LFO. Cuando se utiliza VCO-3 como LFO (KBD OFF), el KBD CV deja de introducirse en VCO-3.
- i. **Deslizador de nivel de entrada de CV 2**
Ajusta el nivel de la señal de la entrada de CV 2 para VCO-3.
- j. **Deslizador de nivel de entrada de CV 3**
Ajusta el nivel de la señal de la entrada de CV 3 para VCO-3.
- k. **Deslizador de nivel de entrada de CV 4**
Ajusta el nivel de la señal de la entrada de CV 4 para VCO-3.
- l. **Jack de salida SAWTOOTH**
Por él sale la onda de sierra de VCO-3.
- m. **Jack de salida PULSE**
Por él sale la onda de impulso de VCO-3.

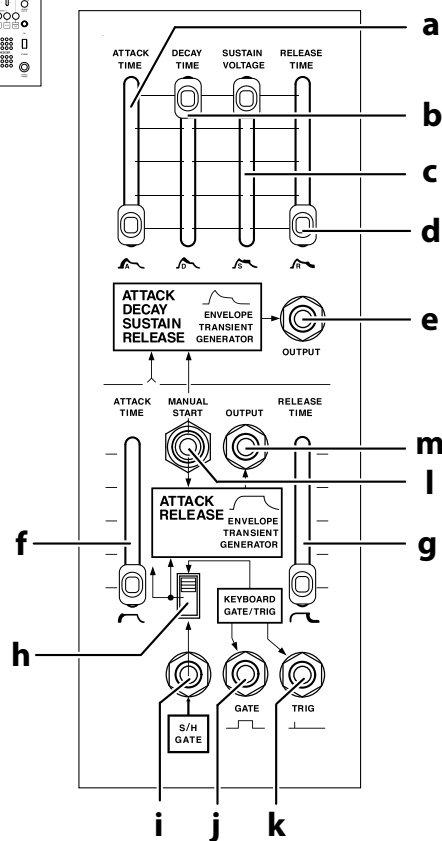
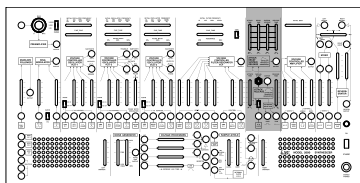
Panel frontal (sección VCF)



VCF (filtro controlado por voltaje)

- a. Deslizador INITIAL FILTER FREQUENCY [10Hz...10KHz]**
Ajusta a grandes rasgos la frecuencia de corte del LPF (filtro de paso bajo). Si se mueve el deslizador hacia la izquierda, se corta la gama de frecuencias altas de la señal de entrada, produciendo un tono más suave. Si se mueve el deslizador hacia la derecha, se produce un tono más fuerte y brillante.
⚡ La gama de frecuencias es un valor aproximado.
- b. Deslizador FINE TUNE**
Ajusta con precisión la frecuencia de corte del LPF.
- c. Deslizador RESONANCE**
Ajusta el nivel de resonancia del filtro. Esto modifica el carácter tonal al elevar los armónicos superiores en la región del punto de corte. Al elevar el deslizador, se producirá la oscilación automática (estado en el que el propio VCF produce un sonido) a partir de un determinado punto.
- d. Conmutador TYPE..... [I, II]**
Selecciona el tipo de VCF.
TYPE I: Primeros modelos de ARP 2600
TYPE II: Modelos posteriores de ARP 2600
- e. Jack de entrada AUDIO 1**
Es un jack de entrada para la señal de audio del VCF. El modulador en anillo (RING MODULATOR) está conectado internamente.
- f. Jack de entrada AUDIO 2**
Es un jack de entrada para la señal de audio del VCF. La onda cuadrada de VCO-1 está conectada internamente.
- g. Jack de entrada AUDIO 3**
Es un jack de entrada para la señal de audio del VCF. La onda de impulso de VCO-2 está conectada internamente.
- h. Jack de entrada AUDIO 4**
Es un jack de entrada para la señal de audio del VCF. La onda de sierra de VCO-3 está conectada internamente.
- i. Jack de entrada AUDIO 5**
Es un jack de entrada para la señal de audio del VCF. El generador de ruido está conectado internamente.
- j. Jack de entrada de CV 1**
Es un jack de entrada de CV que controla la frecuencia de corte del VCF. KBD CV está conectado internamente.
- k. Jack de entrada de CV 2**
Es un jack de entrada de CV que controla la frecuencia de corte del VCF. ADSR está conectado internamente.
- l. Jack de entrada de CV 3**
Es un jack de entrada de CV que controla la frecuencia de corte del VCF. La onda sinusoidal de VCO-2 está conectada internamente.
- m. Deslizador de nivel de entrada de AUDIO 1**
Ajusta el nivel de la señal de audio de la entrada AUDIO 1 del VCF.
- n. Deslizador de nivel de entrada de AUDIO 2**
Ajusta el nivel de la señal de audio de la entrada AUDIO 2 del VCF.
- o. Deslizador de nivel de entrada de AUDIO 3**
Ajusta el nivel de la señal de audio de la entrada AUDIO 3 del VCF.
- p. Deslizador de nivel de entrada de AUDIO 4**
Ajusta el nivel de la señal de audio de la entrada AUDIO 4 del VCF.
- q. Deslizador de nivel de entrada de AUDIO 5**
Ajusta el nivel de la señal de audio de la entrada AUDIO 5 del VCF.
- r. Deslizador de nivel de entrada de CV 2**
Ajusta el nivel de la señal de la entrada de CV 2 para el VCF.
- s. Deslizador de nivel de entrada de CV 3**
Ajusta el nivel de la señal de la entrada de CV 3 para el VCF.
- t. Jack de salida**
Este es el jack de salida del VCF.

Panel frontal (sección ADSR EG/AR EG)



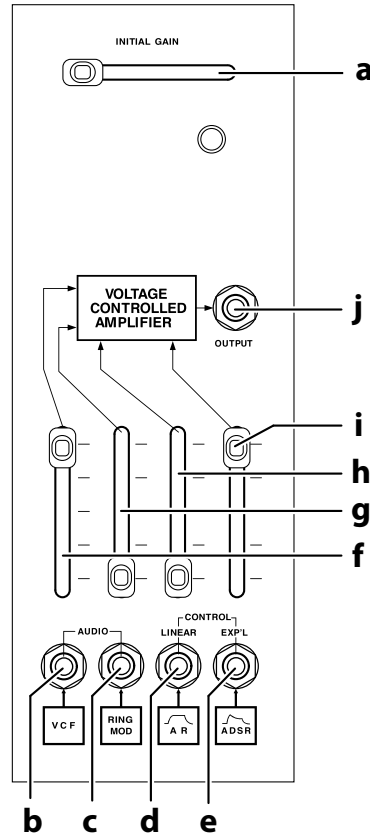
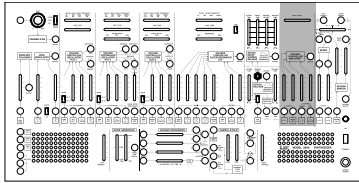
ADSR EG (generador de envolvente de ADSR)

- a. **Deslizador ATTACK TIME**
Ajusta el tiempo de ataque del generador de envolvente de ADSR.
- b. **Deslizador DECAY TIME**
Ajusta el tiempo de caída del generador de envolvente de ADSR.
- c. **Deslizador SUSTAIN VOLTAGE**
Ajusta el nivel de sustain del generador de envolvente de ADSR.
- d. **Deslizador RELEASE TIME**
Ajusta el tiempo de liberación del generador de envolvente de ADSR.
- e. **Jack de salida**
Este es el jack de salida del generador de envolvente de ADSR.

AR EG (generador de envolvente de AR)

- f. **Deslizador ATTACK TIME**
Ajusta el tiempo de ataque del generador de envolvente de AR.
- g. **Deslizador RELEASE TIME**
Ajusta el tiempo de liberación del generador de envolvente de AR.
- h. **Selector de fuente GATE/TRIG[S/H GATE, KEYBOARD GATE/TRIG]**
Selecciona si la señal de GATE/TRIGGER se recibe desde S/H GATE o desde el controlador MIDI.
- i. **Jack de entrada GATE**
Por él se introduce la señal de puerta. S/H GATE está conectado internamente.
- j. **Jack de salida GATE**
Por él sale la señal de puerta del controlador MIDI.
- k. **Jack de salida TRIG**
Por él sale la señal de disparador del controlador MIDI.
- l. **Conmutador MANUAL START**
Al pulsar este conmutador se genera una señal de puerta, emitiendo una señal ADSR/AR. Esto es útil cuando se quiere escuchar el sonido sin utilizar el controlador MIDI.
- m. **Jack de salida**
Este es el jack de salida del generador de envolvente de AR.

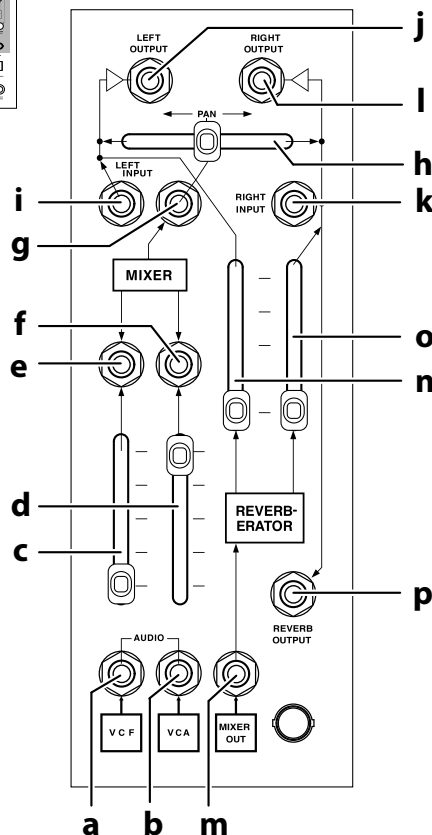
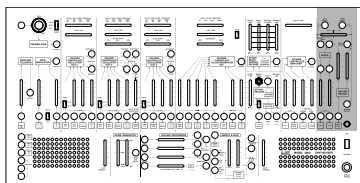
Panel frontal (sección VCA)



VCA (amplificador controlado por voltaje)

- a. Deslizador INITIAL GAIN**
Ajusta el voltaje de desviación de CV del VCA.
- b. Jack de entrada AUDIO 1**
Es un jack de entrada para la señal de audio del VCA. El VCF está conectado internamente.
- c. Jack de entrada AUDIO 2**
Es un jack de entrada para la señal de audio del VCA. El modulador en anillo (RING MODULATOR) está conectado internamente.
- d. Jack de entrada de CV 1**
Es un jack de entrada de CV que controla la ganancia del VCA. El generador de envolvente de AR (AR EG) está conectado internamente. La ganancia del VCA está proporcionalmente relacionada con este voltaje CV.
- e. Jack de entrada de CV 2**
Es un jack de entrada de CV que controla la salida del VCA. El generador de envolvente de ADSR (ADSR EG) está conectado internamente. La ganancia del VCA está exponencialmente relacionada con este voltaje CV.
- f. Deslizador de nivel de entrada de AUDIO 1**
Ajusta el nivel de la señal de audio de la entrada AUDIO 1 del VCA.
- g. Deslizador de nivel de entrada de AUDIO 2**
Ajusta el nivel de la señal de audio de la entrada AUDIO 2 del VCA.
- h. Deslizador de nivel de entrada de CV 1**
Ajusta el nivel de la señal de la entrada de CV 1 para el VCA.
- i. Deslizador de nivel de entrada de CV 2**
Ajusta el nivel de la señal de la entrada de CV 2 para el VCA.
- j. Jack de salida**
Este es el jack de salida del VCA. Por él sale una señal de audio cuyo volumen varía en función de las señales CV de la entrada de CV 1 y la entrada de CV 2.
⚠ Si el deslizador INITIAL GAIN (a) se desplaza completamente hacia la derecha, la señal de audio se emite continuamente sin parar.

Panel frontal (sección MIXER, REVERB)



MIXER (mezclador)

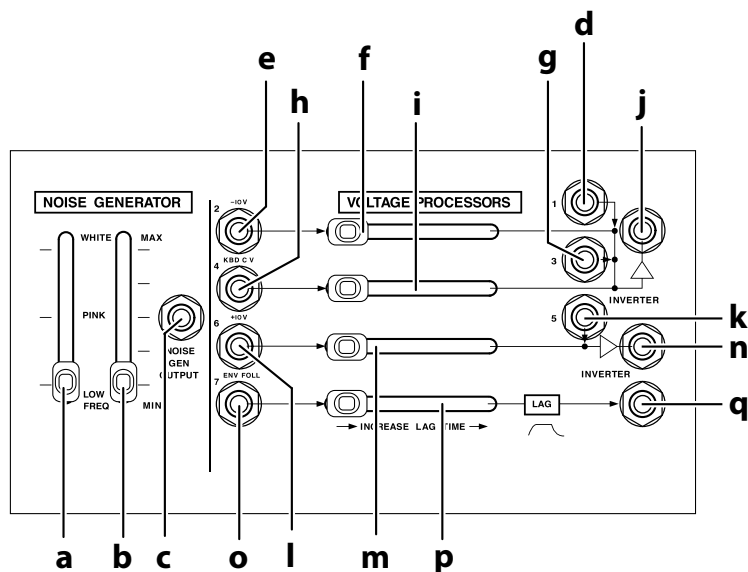
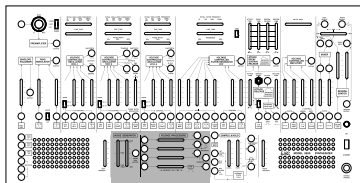
- a. **Jack de entrada 1**
Es un jack de entrada del mezclador. La salida del VCF está conectada internamente.
- b. **Jack de entrada 2**
Es un jack de entrada del mezclador. La salida del VCA está conectada internamente.
- c. **Deslizador de nivel de entrada 1**
Ajusta el nivel de la señal de audio de la entrada 1 del mezclador.
- d. **Deslizador de nivel de entrada 2**
Ajusta el nivel de la señal de audio de la entrada 2 del mezclador.
- e. **Jack de salida AUDIO 1**
Este es el jack de salida para la señal de audio que se ajusta utilizando el componente "c" de más arriba.
⚠ Cuando se conecta un cable de patch en este jack, la señal de audio no se introduce en el mezclador.
- f. **Jack de salida AUDIO 2**
Este es el jack de salida para la señal de audio que se ajusta utilizando el componente "d" de más arriba.
⚠ Cuando se conecta un cable de patch en este jack, la señal de audio no se introduce en el mezclador.
- g. **Jack de entrada izda./dcha.**
Esta es una entrada para la señal de audio que se envía tanto al canal izquierdo como al derecho. La salida del mezclador está conectada internamente.
- h. **Deslizador PAN**
Ajusta la panoramización (balance de volumen izquierda/derecha).

- i. **Jack LEFT INPUT**
Este es el jack de entrada para el canal izquierdo de la salida de audio.
- j. **Jack LEFT OUTPUT**
Por este jack sale una señal de audio que suma la salida de la reverberación de muelle ajustada por n. con la entrada del jack LEFT INPUT.
- k. **Jack RIGHT INPUT**
Este es el jack de entrada para el canal derecho de la salida de audio.
- l. **Jack RIGHT OUTPUT**
Por este jack sale una señal de audio que suma la salida de la reverberación de muelle ajustada por o. con la entrada del jack RIGHT INPUT.

REVERB (REVERBERACIÓN)

- m. **Jack de entrada**
Este es el jack de entrada para la reverberación de muelle. La salida del mezclador está conectada internamente.
- n. **Deslizador de nivel izquierdo**
Ajusta el nivel de la señal izquierda (LEFT) que se introduce a la reverberación de muelle.
- o. **Deslizador de nivel derecho**
Ajusta el nivel de la señal derecha (RIGHT) que se introduce a la reverberación de muelle.
- p. **Jack REVERB OUTPUT**
Esta es la salida de la reverberación de muelle. Si se conecta un cable de patch aquí, la señal reverberada de l. deja de salir.

Panel frontal (sección NOISE GENERATOR, VOLTAGE PROCESSORS)



NOISE GENERATOR (generador de ruido)

- a. **Deslizador de color de ruido**
.....[LOW FREQ...PINK...WHITE]
Ajusta los componentes de frecuencia del ruido.
- b. **Deslizador de nivel de ruido**
Ajusta el nivel de la señal del generador de ruido.
- c. **Jack NOISE GEN OUTPUT**
Este es el jack de salida del generador de ruido.

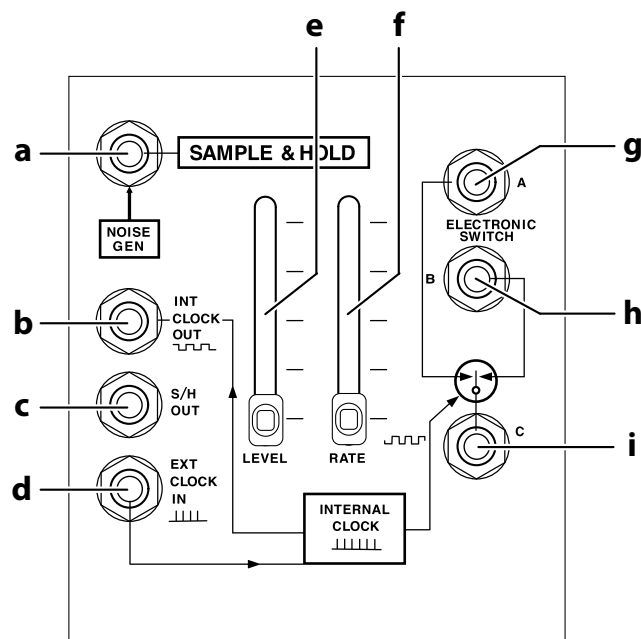
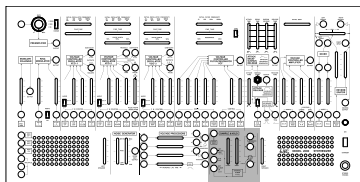
VOLTAGE PROCESSORS (procesadores de voltaje)

- d. **Jack de entrada de inductor 1**
Es un jack de entrada para un inductor (un módulo que invierte un voltaje).
- e. **Jack de entrada de inductor 2**
Es un jack de entrada para un inductor. Un voltaje de -10 V está conectado internamente.
- f. **Deslizador de nivel de entrada de inductor 2**
Ajusta el nivel de voltaje del jack de entrada de inductor 2.
- g. **Jack de entrada de inductor 3**
Es un jack de entrada para un inductor.
- h. **Jack de entrada de inductor 4**
Es un jack de entrada para un inductor. KBD CV está conectado internamente.

Sugerencia: Si hace una conexión de patch de un KBD CV invertido a un VCO, se invierte la relación entre el teclado y la afinación.

- i. **Deslizador de nivel de entrada de inductor 4**
Ajusta el nivel de voltaje del jack de entrada de inductor 4.
- j. **Jack de salida de inductor 1**
Por él sale un voltaje sumado invertido de las entradas de inductor 1-4.
- k. **Jack de entrada de inductor 5**
Es un jack de entrada para un inductor.
- l. **Jack de entrada de inductor 6**
Es un jack de entrada para un inductor. Un voltaje de +10 V está conectado internamente.
- m. **Deslizador de nivel de entrada de inductor 6**
Ajusta el nivel de voltaje del jack de entrada de inductor 6.
- n. **Jack de salida de inductor 2**
Por él sale un voltaje sumado invertido de las entradas de inductor 5 y 6.
- o. **Jack de entrada LAG**
Este es un jack de entrada para el circuito de desfase (retardo). La salida del seguidor de envolvente (consulte "ENVELOPE FOLLOWER (seguidor de envolvente)" en la página 72) está conectada internamente.
- p. **Deslizador LAG TIME**
Ajusta la duración del tiempo de desfase. Si se desliza hacia la derecha, se suaviza la señal de salida.
- q. **Jack de salida LAG**
Por él sale una señal suavizada por el circuito de desfase.

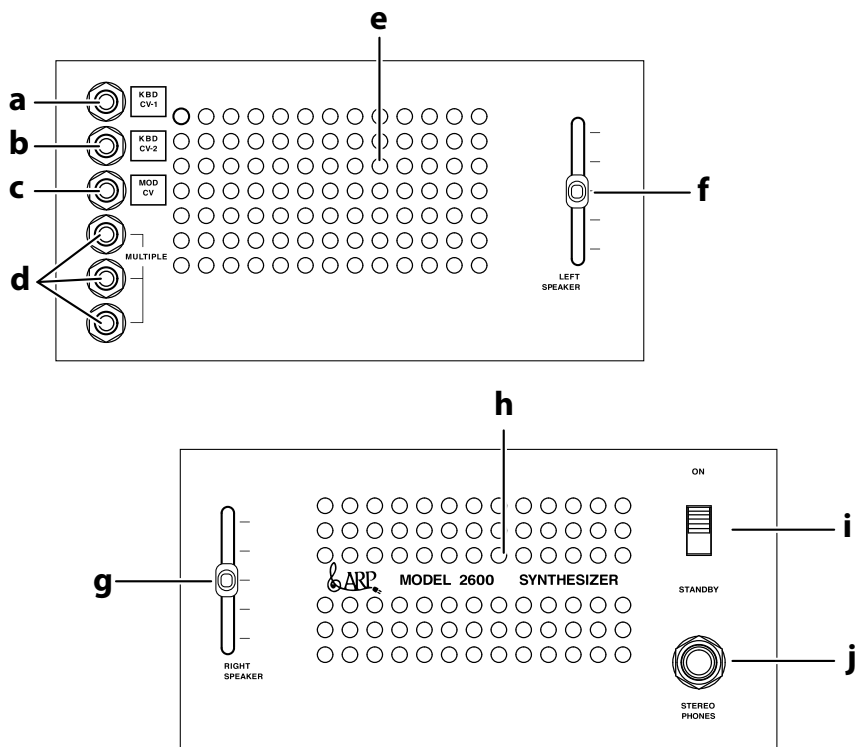
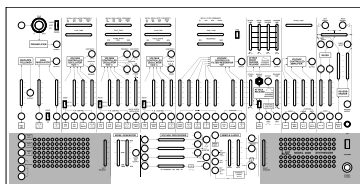
Panel frontal (sección SAMPLE & HOLD)



SAMPLE & HOLD (muestreo y retención)

- a. **Jack de entrada SAMPLE & HOLD**
Este es el jack de entrada para el circuito de muestreo y retención. El generador de ruido está conectado internamente.
 - b. **Jack INT CLOCK OUT**
Por él sale la señal de reloj del generador de reloj interno de esta unidad.
 - c. **Jack S/H OUT**
Por él sale la señal de muestreo y retención.
 - d. **Jack EXT CLOCK IN**
Este es un jack de entrada para un reloj externo. Si una onda cuadrada de VCO-1 o similar se introduce en este jack, SAMPLE & HOLD se sincronizarán a la señal introducida.
 - e. **Deslizador de nivel de entrada de muestreo y retención**
Ajusta el nivel de la señal que se introduce a la reverberación de muelle.
 - f. **Deslizador CLOCK RATE [0.2Hz...24Hz]**
Ajusta la frecuencia del reloj interno.
 - g. **Jack ELECTRONIC SWITCH A**
Este es un conmutador analógico que se sincroniza al reloj. ELECTRONIC SWITCH B y C se utilizan juntos.
 - h. **Jack ELECTRONIC SWITCH B**
Este es un conmutador analógico que se sincroniza al reloj. ELECTRONIC SWITCH A y C se utilizan juntos.
 - i. **Jack ELECTRONIC SWITCH C**
Este es un conmutador analógico que se sincroniza al reloj. ELECTRONIC SWITCH A y B se utilizan juntos. Los jacks A-C y los jacks B-C se conectan alternativamente en sincronización con el reloj.
- Sugerencia:** Por ejemplo, si el jack A se conecta a LEFT INPUT (entrada izquierda), el jack B se conecta a RIGHT INPUT (entrada derecha) y el jack C se conecta a una señal de audio, se obtiene un efecto de panoramización automática.

Panel frontal (sección SPEAKER LEFT, sección SPEAKER RIGHT)



Sección SPEAKER LEFT (altavoz izquierdo)

a. Jack KBD CV-1

Se emitirán los CV de afinación correspondientes a los mensajes de nota activada recibidos a través del controlador MIDI conectado. Si se recibe más de un mensaje de nota activada, se emitirá un CV de afinación correspondiente a la nota activada más baja.

Sugerencia: El voltaje de entrada KBD CV de un VCO o del VCF es el mismo que el voltaje de salida de este jack KBD CV-1.

b. Jack KBD CV-2

Se emitirán los CV de afinación correspondientes a los mensajes de nota activada recibidos a través del controlador MIDI conectado. Si se recibe más de un mensaje de nota activada, se emitirá un CV de afinación correspondiente a la nota activada más alta.

Sugerencia: Para ver información detallada sobre el voltaje CV de afinación cuando se pulsan múltiples teclas, consulte "Ajustes del modo de asignación de voces" en la página 87.

c. Jack MOD CV

Se emitirán los CV correspondientes a los mensajes de modulación (CC#01) recibidos a través del controlador MIDI conectado. El CV cambia aproximadamente de 0 V a +7 V.

d. Jacks MULTIPLE

Son jacks de distribución de señal de uso general (conectados en paralelo) que se pueden utilizar para señales de audio o para señales de control.

e. Altavoz interno izquierdo

f. Deslizador LEFT SPEAKER

Ajusta el volumen del altavoz interno izquierdo. Cuando se conectan unos auriculares, el deslizador controla el volumen del canal izquierdo de los auriculares.

Sección SPEAKER RIGHT (altavoz derecho)

g. Deslizador RIGHT SPEAKER

Ajusta el volumen del altavoz interno derecho. Cuando se conectan unos auriculares, el deslizador controla el volumen del canal derecho de los auriculares.

h. Altavoz interno derecho

i. Conmutador de alimentación

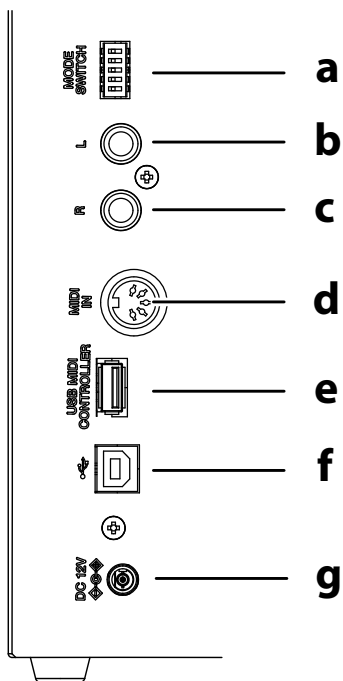
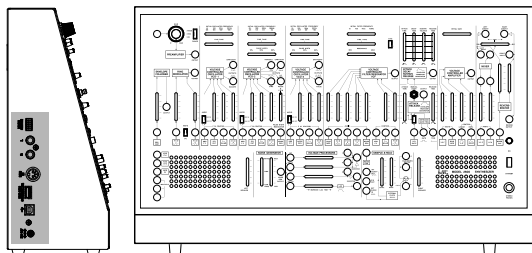
Permite activar o desactivar el equipo.

j. Jack STEREO PHONES

Conecte los auriculares aquí. Es un jack phone estéreo de $\phi 6,3$ mm (1/4 de pulgada).

Los altavoces internos se silenciarán cuando se conecten unos auriculares.

Panel lateral (selectores de modo, jacks de salida principal, MIDI, USB, conector de alimentación)



MODE SWITCH

Estos conmutadores (son 5 en total) permiten ajustar el canal MIDI y la función de desactivación automática.

a. MODE SWITCH 1-5

La combinación de conmutadores 1-4 especifica el canal MIDI 1-16 (consulte “Canal MIDI” en la página 88). El conmutador 5 activa o desactiva la función de desactivación automática (consulte “Cambio del ajuste de desactivación automática” en la página 85).

Jacks de salida principal

b. Salida principal L

Por él sale la señal de audio del canal izquierdo de esta unidad. Es un jack estándar de 6,3 mm (1/4 de pulgada).

c. Salida principal R

Por él sale la señal de audio del canal derecho de esta unidad. Es un jack estándar de 6,3 mm (1/4 de pulgada).

MIDI

d. Jack MIDI IN

Conecte su controlador MIDI al ARP 2600 M con un cable MIDI para que el ARP 2600 M pueda recibir datos MIDI.

USB

e. Puerto USB MIDI CONTROLLER

Conecte directamente su controlador MIDI a este puerto con un cable USB para que el ARP 2600 M pueda recibir datos MIDI.

- ⚡ Este puerto se utiliza para recibir mensajes MIDI USB solamente. Cuando conecte un ordenador, utilice el puerto USB B (componente “f”).
- ⚡ Para controladores USB-MIDI que consuman mucha energía, utilice el adaptador de corriente incluido con el controlador.
- ⚡ No pueden utilizarse controladores MIDI que tengan funcionalidad de hub USB.

f. Puerto USB B

Puede conectar un ordenador a este puerto para transmitir y recibir datos MIDI.

Conector del cable de alimentación

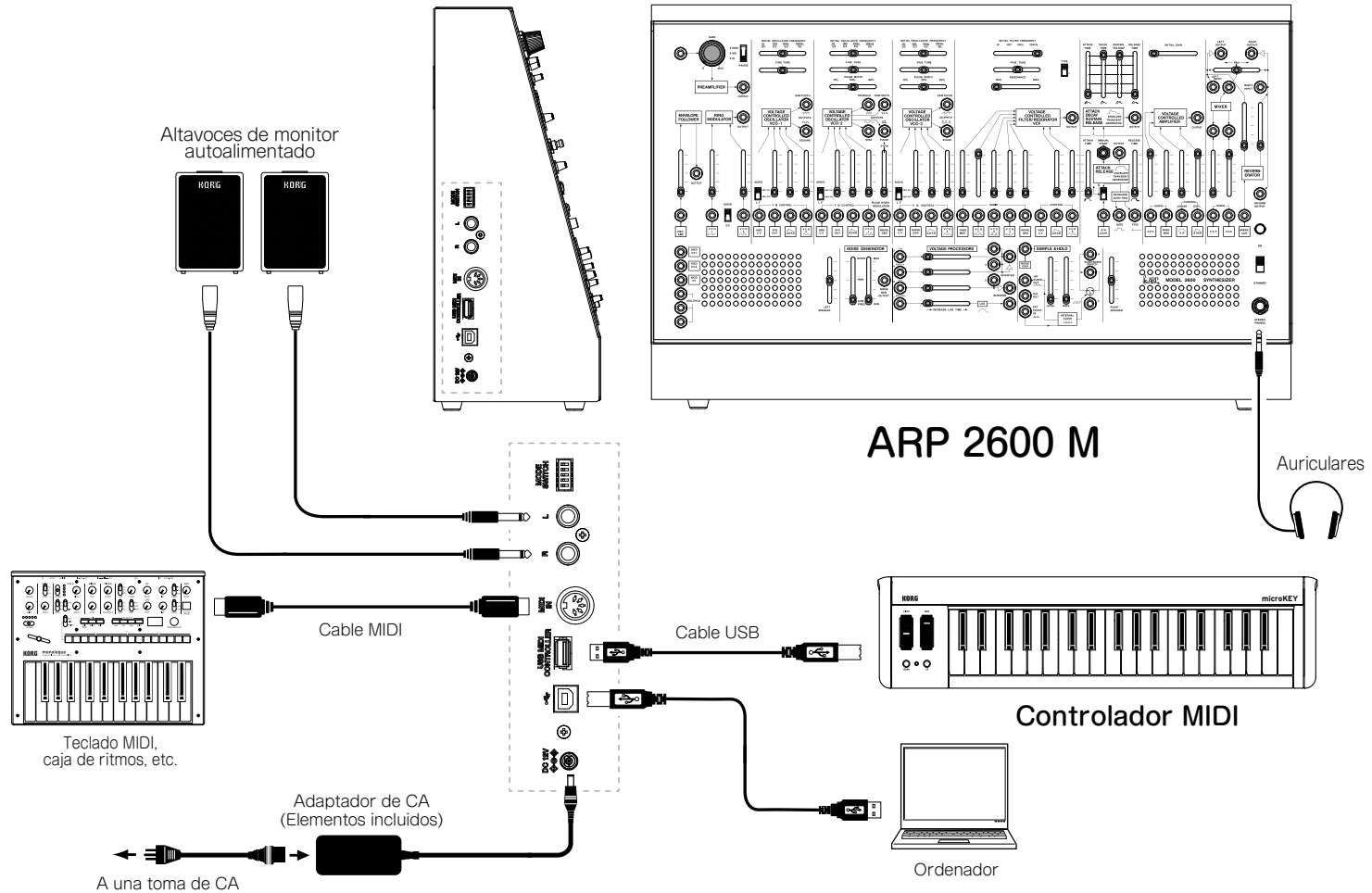
g. Conector DC 12V

Aquí se conecta el adaptador de CA incluido.

Primeros pasos

Conexiones

La siguiente ilustración muestra un ejemplo de las conexiones típicas. Conecte el equipo de la forma que más le convenga.



Activar el equipo

Compruebe los puntos siguientes antes de activar el equipo.

- Utilice siempre una toma de CA que suministre el voltaje correcto para el equipo.
- Utilice sólo el adaptador de CA incluido.
- Si se conecta a un dispositivo de salida externo, como un mezclador o un altavoz monitor autoalimentado, baje el volumen al mínimo y desactívelo.
- Compruebe que el ARP 2600 M esté desactivado.

1. Baje los deslizadores LEFT SPEAKER y RIGHT SPEAKER de esta unidad hasta su posición mínima.
2. Conecte la clavija de CC del adaptador de CA incluido en el conector que hay para el adaptador de CA en el panel lateral del ARP 2600 M.
3. Conecte el cable de alimentación a una toma de CA.
4. Conecte el cable de alimentación al adaptador de CA.
5. Cuando se activa (ON) el conmutador de alimentación de esta unidad, se ilumina el LED de alimentación y se activa el suministro de alimentación. Baje el volumen de los altavoces de monitor autoalimentado o de otros equipos de salida externos antes de activar su alimentación.
6. Ajuste los deslizadores LEFT SPEAKER y RIGHT SPEAKER de esta unidad. Si hay algún equipo de salida externo conectado, suba su volumen como sea apropiado.

Sugerencia: Si se desconecta el adaptador de CA mientras el ARP 2600 M está encendido o si se ha habilitado la función de apagado automático, el dispositivo puede haberse apagado sin que se haya apagado el conmutador de alimentación. Antes de encender el ARP 2600 M otra vez, tendrá que apagarlo.

Sugerencia: Si no está familiarizado con la creación de sonidos, se recomienda realizar ahora los ajustes descritos en la sección "Ajustes básicos".

Desactivar el equipo

1. Baje el volumen de los altavoces de monitor autoalimentado o del sistema de salida externa, y luego desactívelos.
2. Cuando se ajusta el conmutador de alimentación de esta unidad en la posición STANDBY (reposo), el LED de alimentación se apaga y se desactiva la alimentación.

Función de desactivación automática

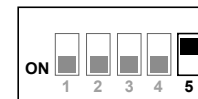
El ARP 2600 M dispone de una función de desactivación automática que desactiva automáticamente la alimentación una vez transcurridas unas cuatro horas desde que el instrumento se utilizó por última vez. Con los ajustes de fábrica, la función de desactivación automática está activada.

Cambio del ajuste de desactivación automática

Si lo desea, puede activar o desactivar la función de desactivación automática.

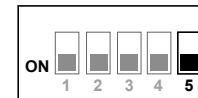
Desactivar la función de desactivación automática

En el panel lateral izquierdo, desactive (posición hacia arriba) el conmutador MODE SWITCH 5. La función de desactivación automática se desactivará; no hay que apagar la alimentación y encenderla de nuevo para que el ajuste sea efectivo.



Habilitación de la función de desactivación automática

En el panel lateral izquierdo, active (posición hacia abajo) el conmutador MODE SWITCH 5. La función de desactivación automática se activará; no hay que apagar la alimentación y encenderla de nuevo para que el ajuste sea efectivo.



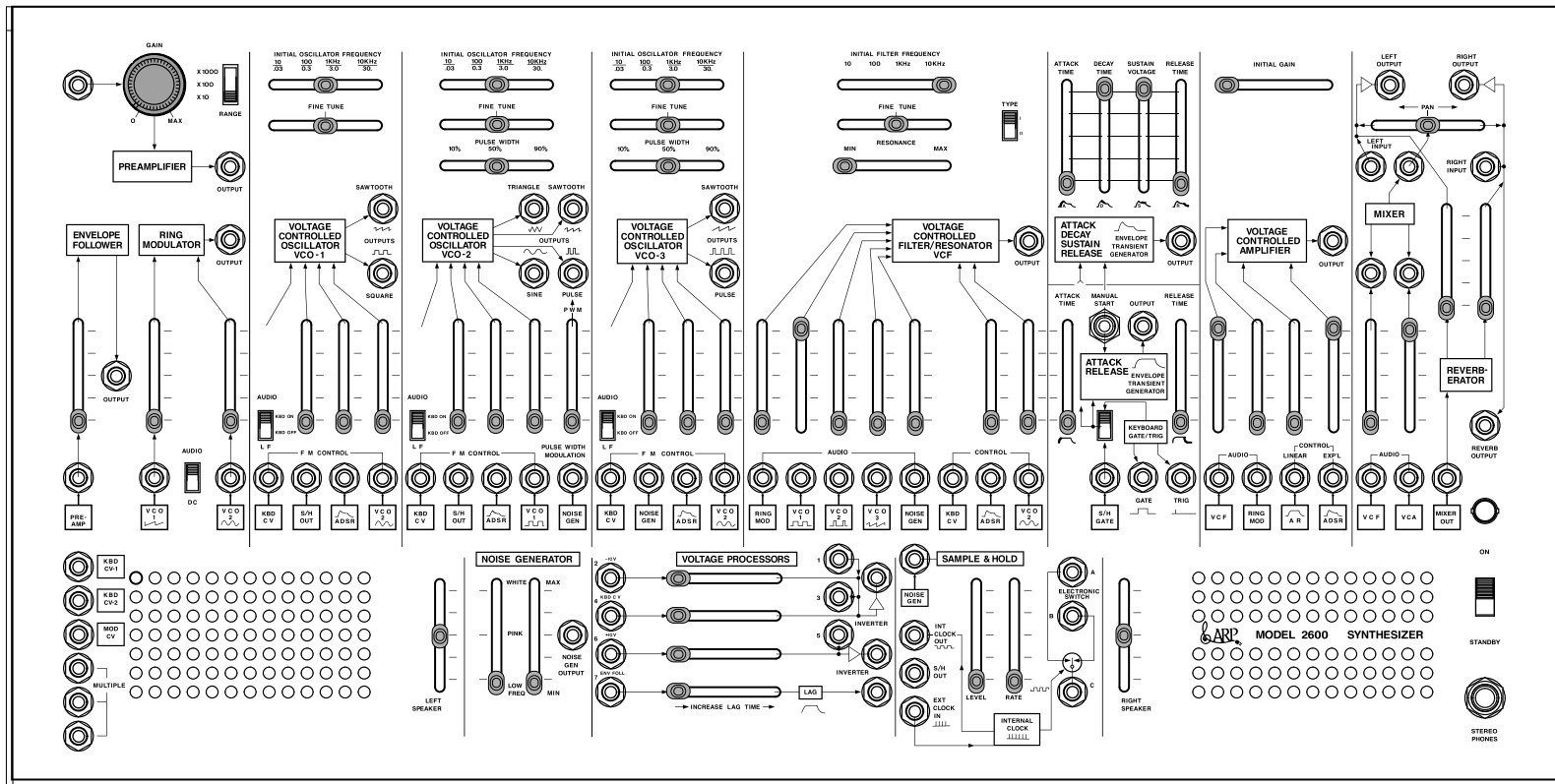
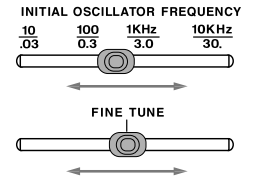
Creación de sonidos de ejemplo

Ajustes básicos

Ajuste los controles del ARP 2600 M (deslizadores, conmutadores, etc.) como se muestra en la ilustración siguiente. Cuando toque el teclado con estos ajustes, el sonido de la onda cuadrada de VCO-1 se emitirá por sí mismo. Para ajustar el volumen, utilice el deslizador de nivel de entrada 2 de la sección MIXER (consulte "MIXER (mezclador)" en la página 79).

Afinación

Después de realizar en esta unidad los ajustes básicos descritos anteriormente, ajuste el deslizador FINE TUNE de cada VCO en la afinación correcta utilizando un afinador de venta en establecimientos comerciales (como el Korg CA-50).



Ajustes del modo de asignación de voces

El ARP 2600 M funciona como un sintetizador duofónico (pueden reproducirse dos sonidos al mismo tiempo). Hay dos métodos diferentes (modos de asignación de voces) de emitir el CV de afinación cuando se reciben dos mensajes MIDI de nota activada, y esto se puede configurar cuando se inicia la unidad.

Modo normal (predeterminado)

Este es el modo que viene predeterminado de fábrica. Cuando se reciben dos mensajes de nota activada, la nota más baja se emite como KBD CV-1 y la nota más alta como KBD CV-2 (UPPER VOICE).

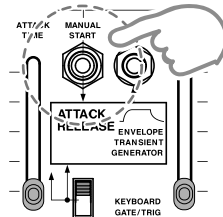
Modo original

Este modo reproduce el funcionamiento de la unidad de teclado ARP 3620 original. Es igual que el modo normal en que la nota más baja se emite como KBD CV-1 y la nota más alta como KBD CV-2 (UPPER VOICE), pero difiere en que la nota más baja y la nota más alta continúan siendo mantenidas hasta que la señal de puerta se activa (se toca la primera tecla).

Selección del modo

1. Encienda la alimentación del ARP 2600 M mientras mantiene pulsado el conmutador MANUAL START en el panel.
 2. Cuando se ilumine el indicador luminoso de alimentación, suelte y pulse consecutivamente el conmutador MANUAL START. Pulse el conmutador tres veces para el modo Normal y cuatro veces para el modo Original.
 3. Los ajustes se almacenarán en la memoria (el indicador luminoso de alimentación parpadea) y la unidad se iniciará normalmente.
- ⚠ Después de cambiar este ajuste, espere varios segundos (mientras el indicador luminoso de alimentación está parpadeando) antes de apagar la alimentación. Si lo no hace así, podría dañar los datos y causar fallos de funcionamiento.

Sugerencia: El ajuste de la función de modo de asignación de voces se recuerda incluso aunque se apague la alimentación.



Ajuste del modo de disparador

Selecciona cómo empieza a operar (cómo se dispara) el circuito ADSR cuando se producen activaciones de nota consecutivas.

Modo de disparador múltiple (predefinido por defecto)

El circuito ADSR se dispara con cada activación de nota.

Modo de disparador único (Single)

Este modo se utiliza cuando se tocan ligados (estilo “legato”), ya que una nueva activación de nota no disparará el circuito ADSR hasta que haya terminado el tiempo de liberación de ADSR.

Ajuste del modo de disparador

1. Encienda la alimentación del ARP 2600 M mientras mantiene pulsado el conmutador MANUAL START en el panel.
 2. Cuando se ilumine el indicador luminoso de alimentación, suelte y pulse consecutivamente el conmutador MANUAL START. Pulse el conmutador cinco veces para el modo de disparador múltiple y seis veces para el modo de disparador único (Single).
 3. Los ajustes se almacenarán en la memoria (el indicador luminoso de alimentación parpadea) y la unidad se iniciará normalmente.
- ⚠ El modo de disparador (TRIGGER MODE) no se aplica al circuito AR.
- ⚠ Después de cambiar este ajuste, espere varios segundos (mientras el indicador luminoso de alimentación está parpadeando) antes de apagar la alimentación. Si lo no hace así, podría dañar los datos y causar fallos de funcionamiento.
- Sugerencia:** Los ajustes del modo de disparador se conservarán en la memoria incluso después de apagar la alimentación.

Acerca de MIDI

Conexión de dispositivos MIDI

Al conectar el ARP 2600 M a un ordenador o un secuenciador MIDI externo, puede controlar el generador de sonidos del ARP 2600 M desde un dispositivo externo. Utilice un cable MIDI de venta en establecimientos comerciales para conectar el conector MIDI IN del ARP 2600 M al conector MIDI OUT del dispositivo MIDI externo (consulte "Conexiones" en la página 84).

Conector MIDI IN: Este recibe mensajes MIDI de otros dispositivos MIDI. Conecte este conector al conector MIDI OUT del otro dispositivo. Los mensajes MIDI que se pueden recibir a través del conector MIDI IN del ARP 2600 M incluyen los mensajes de nota, inflexión de tono (pitch bend), modulación y portamento.

- Los mensajes de nota (se ignora la velocidad) son el único tipo de mensajes MIDI que el ARP 2600 M puede recibir a través de su conector MIDI IN. La gama de notas que se puede recibir es 012 (C0)–127 (G9).

Canal MIDI

MIDI posee dieciséis canales, 1–16.

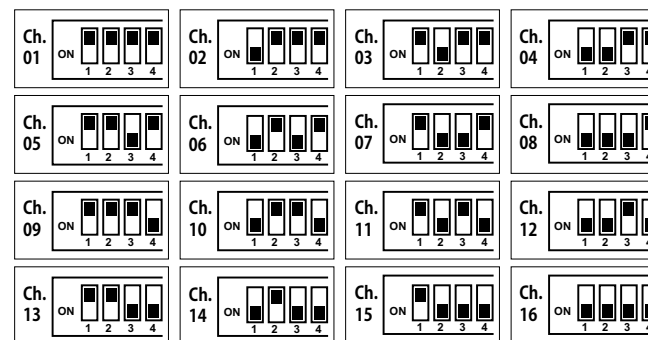
Si conecta un dispositivo MIDI externo, debe ajustar el canal MIDI del ARP 2600 M para que coincida con el canal MIDI de su dispositivo MIDI externo. Con los ajustes de fábrica, está ajustado en el canal 1.

Sugerencia: Para ver información detallada sobre cómo ajustar el canal MIDI de su dispositivo externo, consulte el manual de funcionamiento correspondiente.

Ajuste del canal MIDI del ARP 2600 M

Utilice los conmutadores MODE SWITCH 1–4 del panel posterior para especificar el canal MIDI. Los ajustes de canal MIDI se muestran en la tabla que viene a continuación. El canal MIDI cambia de forma inmediata cuando se cambia el ajuste.

- En caso de que cambie el canal MIDI durante el funcionamiento, las notas que estén sonando dejarán de hacerlo. La modulación de la afinación (pitch bend) también se reiniciará.



Conexión de un ordenador

Utilice un cable USB para conectar directamente el ARP 2600 M a un ordenador equipado con un puerto USB para recibir mensajes MIDI del mismo modo que con los conectores MIDI (consulte "Conexiones" en la página 84).

Los únicos mensajes MIDI que se pueden transmitir o recibir a través del puerto USB son los mensajes de nota (tanto transmisión como recepción; la velocidad de pulsación está fija en 64 para la transmisión y se ignora para la recepción), mensajes de inflexión de tono (pitch bend) y mensajes de modulación (solo recepción).

Sugerencia: Los únicos mensajes MIDI que se transmiten son mensajes de nota transmitidos cuando se toca el teclado. Las operaciones con deslizadores y conmutadores no transmiten mensajes MIDI.

Sugerencia: Para conectar a través de USB, habrá que instalar el controlador KORG USB–MIDI. Descargue la versión más reciente del controlador KORG USB–MIDI desde el sitio web de Korg (<http://www.korg.com/>) e instálelo como se indica en la documentación incluida con el controlador.

Acerca de la tabla de implementación MIDI

La tabla de implementación MIDI enumera los mensajes MIDI que pueden transmitirse y recibirse. Cuando utilice esta unidad con otro dispositivo MIDI, compare las respectivas tablas de implementación MIDI para comprobar que los mensajes MIDI son compatibles. Puede descargar la tabla de implementación MIDI de este dispositivo desde el sitio web de Korg.

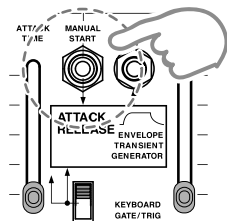
Sugerencia: Las especificaciones detalladas de MIDI se proporcionan bajo implementación MIDI. Para más información sobre la implementación MIDI, visite el sitio web de Korg (<http://www.korg.com/>).

Restablecer los ajustes de fábrica

Los ajustes del modo de asignación de voces y del modo de disparador se pueden restaurar a sus valores originales de fábrica.

Cómo restaurar los ajustes

1. Encienda la alimentación del ARP 2600 M mientras mantiene pulsado el conmutador MANUAL START en el panel.
2. Cuando se ilumine el indicador luminoso de alimentación, suelte y pulse el conmutador MANUAL START ocho veces consecutivamente.
3. Los ajustes se cargarán desde la memoria (el indicador luminoso de alimentación parpadea) y la unidad se iniciará normalmente.



- ⚠ Después de cambiar este ajuste, espere varios segundos (mientras el indicador luminoso de alimentación está parpadeando) antes de apagar la alimentación. Si lo no hace así, podría dañar los datos y causar fallos de funcionamiento.

Solución de problemas

La alimentación no se activa

- ¿Está el adaptador de CA correctamente conectado?

No hay sonido

- Quite todos los cables de patch y pruebe a configurar los ajustes del panel del ARP 2600 M en sus "ajustes básicos" (consulte "Ajustes básicos" en la página 86).
- ¿Es posible que estén completamente bajados el deslizador LEFT SPEAKER, el deslizador RIGHT SPEAKER (consulte "Panel frontal (sección SPEAKER LEFT, sección SPEAKER RIGHT)" en la página 82), el deslizador de nivel de entrada de AUDIO 1 del VCA en la sección VCA (consulte "VCA (amplificador controlado por voltaje)" en la página 78), el deslizador de nivel de entrada 1 o el deslizador de nivel de entrada 2 de la sección MIXER (consulte "MIXER (mezclador)" en la página 79)?
- ¿Está el ARP 2600 M conectado correctamente al jack de entrada del amplificador, el mezclador o los auriculares?
- ¿Está el amplificador o el mezclador encendido y se ha elevado el volumen de ese dispositivo?
- ¿Hay unos auriculares conectados a este instrumento?
No saldrá sonido por los altavoces mientras haya unos auriculares conectados.

No responde a los datos MIDI enviados desde un dispositivo externo

- ¿Está el cable MIDI o el cable USB conectado correctamente? (consulte "Conexiones" en la página 84)
- ¿Coincide el canal MIDI de los datos enviados desde el dispositivo MIDI externo con el canal MIDI global del ARP 2600 M? (consulte "Canal MIDI" en la página 88)
- ¿Tiene el controlador USB-MIDI funcionalidad de hub USB?
No pueden utilizarse controladores MIDI que tengan funcionalidad de hub USB.

No se puede recibir sonido desde una fuente de audio externa

- ¿Hay una fuente de audio externa correctamente conectada al jack de entrada de la sección de preamplificador (PREAMPLIFIER)? Así mismo, ¿es posible que el mando GAIN esté en 0? (consulte "PREAMPLIFIER (preamplificador)" en la página 72)
- ¿Está el jack de salida de la sección de preamplificador (PREAMPLIFIER) conectado a la entrada de audio del VCF o del mezclador (MIXER)?

Especificaciones

Margen de temperatura de funcionamiento:	0 – +40 °C (sin condensación)
Polifonía máxima:	2 voces para duofónica; normalmente monofónica
VCO-1 (oscilador controlado por voltaje 1)	
Formas de onda:	Sierra, cuadrada
Gama de frecuencias:	Aprox. 0,03 Hz – 30 Hz (modo de frecuencia baja) Aprox. 10 Hz – 10 kHz (modo de audio)
Respuesta controlada por voltaje:	1 V/oct. (C3≈0V)
VCO-2 (oscilador controlado por voltaje 2)	
Formas de onda:	Sierra, impulso (impulso dinámico), triangular, sinusoidal
Gama de frecuencias:	Aprox. 0,03 Hz – 30 Hz (modo de frecuencia baja) Aprox. 10 Hz – 10 kHz (modo de audio)
Amplitud del impulso:	10% – 90%
Respuesta controlada por voltaje:	1 V/oct. (C3≈0V)
VCO-3 (oscilador controlado por voltaje 3)	
Formas de onda:	Sierra, impulso (impulso dinámico)
Gama de frecuencias:	Aprox. 0,03 Hz – 30 Hz (modo de frecuencia baja) Aprox. 10 Hz – 10 kHz (modo de audio)
Amplitud del impulso:	10% – 90%
Respuesta controlada por voltaje:	1 V/oct. (C3≈0V)
VCF (filtro controlado por voltaje)	
Tipo:	Paso bajo (TYPE I: primeros 24 dB/oct., TYPE II: posteriores 24 dB/oct.)
Gama de frecuencias:	Aprox. 10 Hz – 10 kHz
Resonancia:	1/2 – oscilación automática
VCA (amplificador controlado por voltaje)	
Voltaje de control:	Tipo AR (conectado internamente) Tipo ADSR (conectado internamente)
Generador de ruido:	Tipos de espectros de ruido (blanco y rosa)

MODULADOR EN ANILLO

Tipo:	Multiplicador analógico
Señal de entrada (conectada internamente):	Onda de sierra de VCO-1, onda sinusoidal de VCO-2

MUESTREO Y RETENCIÓN

Señal muestreada:	Ruido (conectado internamente)
-------------------	--------------------------------

JACKS DE SALIDA DE AUDIO


Panel frontal (Jacks LEFT, RIGHT OUTPUT)	
Conector:	Jack phone mono ϕ 3,5 mm
Nivel máximo de salida:	+9 dBu con carga de 10 k Ω
Impedancia de salida:	1,2 k Ω
Panel lateral	
Conector:	Jack phone mono ϕ 6,3 mm
Nivel máximo de salida:	+4 dBu con carga de 600 Ω
Impedancia de salida:	1,2 k Ω

JACK HEADPHONES

Conector:	Jack phone estéreo ϕ 6,3 mm
Nivel máximo de salida:	50 mW + 50 mW con carga de 33 Ω
Impedancia de salida:	20 Ω

JACK DE ENTRADA DE AUDIO EXTERNA (PREAMPLIFIER INPUT)

Conector:	Jack phone mono ϕ 3,5 mm
Nivel máximo de entrada:	-10 dBu
Impedancia de entrada:	100 k Ω

Conector MIDI:	IN
Puerto USB:	Tipo A, Tipo B
Fuente de alimentación:	Adaptador de CA (DC 12V, )
Consumo:	13 W

Dimensiones (an. × pro. × al.), peso:	520 × 129 × 311 mm, 6,0 kg
Elementos incluidos:	Estuche duro, Adaptador de CA, 10 Cables de patch, manual del usuario

Accesorios (se venden por separado): Serie microKEY 2, SQ-64, etc.

* Las especificaciones y el aspecto están sujetos a cambios sin previo aviso por mejora.




安全上のご注意

ご使用になる前に必ずお読みください

ここに記載した注意事項は、製品を安全に正しくご使用いただき、あなたや他の方々への危害や損害を未然に防ぐためのものです。注意事項は誤った取り扱いで生じる危害や損害の大きさ、または切迫の程度によって、内容を「警告」、「注意」の2つに分けています。これらは、あなたや他の方々の安全や機器の保全に関わる重要な内容ですので、よく理解した上で必ずお守りください。

火災・感電・人身障害の危険を防止するには

図記号の例

	△ 記号は、注意(危険、警告を含む)を示しています。記号の中には、具体的な注意内容が描かれています。左の図は「一般的な注意、警告、危険」を表しています。
	⊘ 記号は、禁止(してはいけないこと)を示しています。記号の中には、具体的な注意内容が描かれることがあります。左の図は「分解禁止」を表しています。
	● 記号は、強制(必ず行うこと)を示しています。記号の中には、具体的な注意内容が描かれることがあります。左の図は「電源プラグをコンセントから抜くこと」を表しています。

以下の指示を守ってください

警告

この注意事項を無視した取り扱いをすると、死亡や重傷を負う可能性があります。

- ACアダプターのプラグは、必ずAC100Vの電源コンセントに差し込む。
 - ACアダプターのプラグにほこりが付着している場合は、ほこりを拭き取る。
感電やショートのおそれがあります。
 - 本製品をコンセントの近くに設置し、ACアダプターのプラグが容易に手が届くようにする。
- 次のような場合には、直ちに電源を切ってACアダプターのプラグをコンセントから抜く。
 - ACアダプターが破損したとき
 - 異物が内部に入ったとき
 - 製品に異常や故障が生じたとき修理が必要なときは、コルグお客様相談窓口へ依頼してください。
- 本製品を分解したり改造したりしない。
- 修理、部品の交換などで、取扱説明書に書かれていること以外は絶対にしない。
- ACアダプターのコードを無理に曲げたり、発熱する機器に近づけたりしない。また、ACアダプターのコードの上に重いものをのせない。
コードが破損し、感電や火災の原因になります。
- 大音量や不快な程度の音量で長時間使用しない。
大音量で長時間使用すると、難聴になる可能性があります。万一、聴力低下や耳鳴りを感じたら、専門の医師に相談してください。

- 本製品に異物(燃えやすいもの、硬貨、針金など)を入れない。
- 温度が極端に高い場所(直射日光の当たる場所、暖房機器の近く、発熱する機器の上など)で使用や保管をしない。
- 振動の多い場所で使用や保管をしない。
- ホコリの多い場所で使用や保管をしない。
- 風呂場、シャワー室で使用や保管をしない。
- 雨天時の野外のように、湿気が多い場所や水滴のかかる場所で、使用や保管をしない。
- 本製品の上に、花瓶のような液体が入ったものを置かない。
- 本製品に液体をこぼさない。
- 濡れた手で本製品を使用しない。

注意

この注意事項を無視した取り扱いをすると、傷害を負う可能性または物理的損害が発生する可能性があります。

- 正常な通気が妨げられない所に設置して使用する。
- ラジオ、テレビ、電子機器などから十分に離して使用する。
ラジオやテレビ等に接近して使用すると、本製品が雑音を受けて誤動作する場合があります。また、ラジオ、テレビ等に雑音が入ることがあります。
- 外装のお手入れは、乾いた柔らかい布を使って軽く拭く。
- ACアダプターをコンセントから抜き差しするときは、必ずプラグを持つ。
- 長時間使用しないときは、電源プラグをコンセントから抜く。
電源スイッチをオフにしても、製品は完全に電源から切断されていません。
- 付属のACアダプターは他の電気機器で使用しない。
付属のACアダプターは本製品専用です。他の機器では使用できません。
- 他の電気機器の電源コードと一緒にタコ足配線をしない。
本製品の定格消費電力に合ったコンセントに接続してください。
- スイッチやツマミなどに必要以上の力を加えない。
故障の原因になります。
- 外装のお手入れに、ベンジンやシンナー系の液体、コンパウンド質、強酸性のポリッシャーを使用しない。
- 不安定な場所に置かない。
本製品が落下してお客様がけがをしたり、本製品が破損したりする恐れがあります。
- 本製品の上に乗ったり、重いものをのせたりしない。
本製品が落下または損傷してお客様がけがをしたり、本製品が破損したりする恐れがあります。
- 本製品の隙間に指などを入れない。
お客様がけがをしたり、本製品が破損したりする恐れがあります。
- 地震時は本製品に近づかない。
- 本製品に前後方向から無理な力を加えない。
本製品が落下してお客様がけがをしたり、本製品が破損したりする恐れがあります。

* すべての製品名および会社名は、各社の商標または登録商標です。

目次

はじめに	92	音を出してみよう	108
ARP 2600シンセサイザーについて	92	基本セッティング	108
おもな特長	92	チューニング	108
ブロック図	93	ボイス・アサイン・モードの設定	109
各部の名称と機能	94	トリガー・モードの設定	109
フロント・パネル (ブリアンプ、エンベロープ・フ	94	MIDIについて	109
ロワー、リング・モジュレーター・セクション)	94	MIDI機器の接続	109
フロント・パネル (VCO-1セクション)	95	コンピューターとの接続	110
フロント・パネル (VCO-2セクション)	96	MIDIインプリメンテーション・チャートに	110
フロント・パネル (VCO-3セクション)	97	ついて	110
フロント・パネル (VCFセクション)	98	工場出荷時の設定に戻す	110
フロント・パネル		故障とお思いになる前に	110
(ADSR EG/AR EGセクション)	99	仕様	111
フロント・パネル (VCAセクション)	100		
フロント・パネル			
(MIXER, REVERBセクション)	101		
フロント・パネル (NOISE GENERATOR,			
VOLTAGE PROCESSORSセクション)	102		
フロント・パネル			
(SAMPLE&HOLDセクション)	103		
フロント・パネル (スピーカー・セクションL、ス			
ピーカー・セクションR)	104		
サイド・パネル			
(モード・スイッチ、メイン出力端子、MIDI、USB、			
電源端子)	105		
演奏までの準備	106		
接続	106		
電源を入れる	107		
電源を切る	107		
オート・パワー・オフ機能	107		

はじめに

ARP 2600シンセサイザーについて

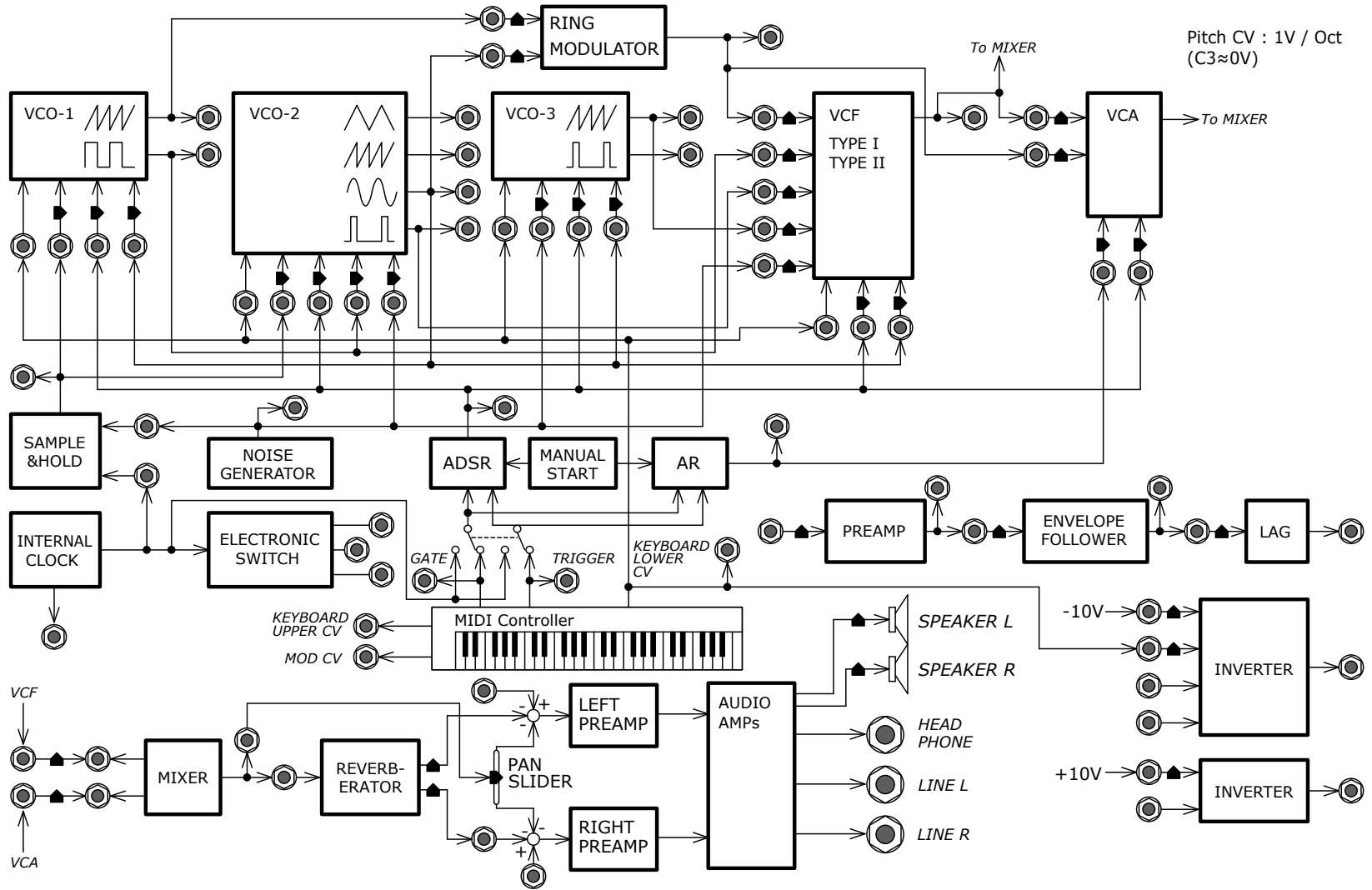
ARP 2600は、1971年から1981年頃にかけて製造販売されたARP社の代表製品です。金属ボディが用いられたごく初期のモデルを除き、音源部と鍵盤部に分かれたスーツケース型のルックスで広く知られています。

ARP 2600は、大型のモジュラー・システムがまだ主流だった当時において、持ち運び可能なセミ・モジュラー・シンセサイザーとして発売されました。主なモジュールはあらかじめ内部結線されていて、パッチングすることなくすぐに音を出すことができ、またパッチングすることで非常に複雑な音作りが可能でした。この音作りの幅広さにより、多数のミュージシャンのレコーディングや映画音楽の制作、教育の現場でも活用されました。またスピーカーやスプリング・リバーブを内蔵していた点も大きな特徴でした。

おもな特長

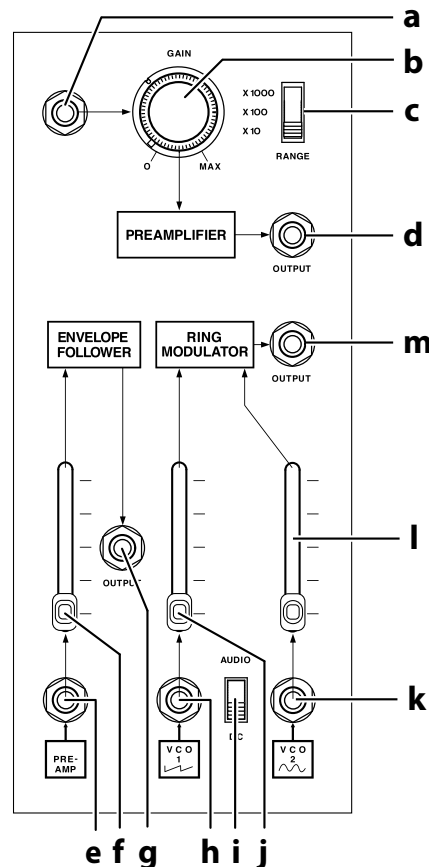
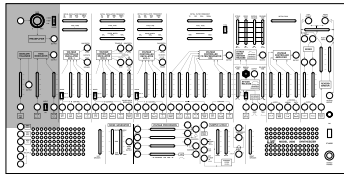
- オリジナルのARP 2600の機能と外観をそのままに、約60%に縮小した、本格的かつ可搬性に富んだシンセサイザーです。
- オリジナルのARP 2600のアナログ回路によるVCO、VCF、VCAを搭載し、アナログならではの音作りにより、柔軟で即興性の高いシンセシスが可能です。
- 付属のパッチ・ケーブルを用いて自由度の高いパッチングが可能です。また、各モジュールはデフォルトで内部接続されているため、パッチ・ケーブルを接続しなくても使用できます。
- 前期型と後期型、2タイプのVCFを搭載し、スイッチひとつで切り替えが可能です。
- エンベロープ・ジェネレーターは、ADSRタイプとARタイプの2種類を搭載しています。
- 外部オーディオ・インプット端子を搭載しているので、ギターやマイクから入力したサウンドを加工することが可能です。
- コンピューターやMIDI機器などと接続するUSB端子とMIDI端子を搭載しています。
- USB-MIDIインターフェースを使わず、直接MIDIコントローラーをつなぐことができる、USB MIDI CONTROLLER端子を搭載しています (USBハブ機能をもつMIDIコントローラーは非対応です)。

ブロック図



各部の名称と機能

フロント・パネル (プリアンプ、エンベロープ・フォロワー、リング・モジュレーター・セクション)



PREAMPLIFIER(プリアンプ)

- a. 入力端子
マイクやエレクトリック・ギターなどの音声信号を入力します。
- b. GAINノブ..... [0...MAX]
プリアンプのゲインを調節します。
- c. RANGEスイッチ [x10, x100, x1000]
プリアンプの増幅率を切り替えます。
- d. 出力端子
プリアンプによって増幅された信号を出力します。

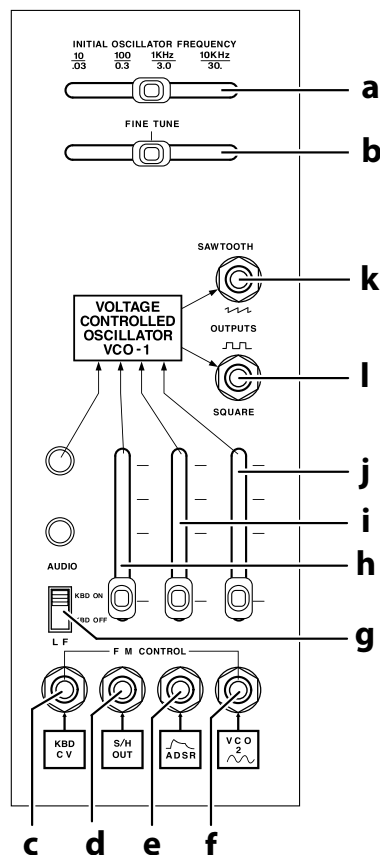
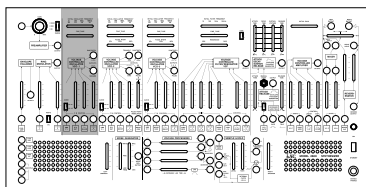
ENVELOPE FOLLOWER(エンベロープ・フォロワー)

- e. 入力端子
エンベロープ・フォロワーに信号を入力するための端子です。
プリアンプの出力が内部接続されています。
- f. 入力レベル・スライダ
エンベロープ・フォロワーへ入力する信号レベルを調節します。
- g. 出力端子
エンベロープ・フォロワーの出力端子です。入力信号の包絡線を出力します。

RING MODULATOR(リング・モジュレーター)

- h. 入力1端子
リング・モジュレーターに1つめの信号を入力するための端子です。
VCO1のノコギリ波が内部接続されています。
- i. 入力セレクト・スイッチ..... [AUDIO, DC]
スイッチをAUDIOにすると入力信号のDCオフセットをカットします。
スイッチをDCに設定した場合、入力信号をそのままリング・モジュレーターに渡します。
CVなどを入力するときはこちらを使用します。
- j. 入力1レベル・スライダ
入力1端子の信号レベルを調節します。VCO-1のノコギリ波が内部接続されています。
- k. 入力2端子
リング・モジュレーターに2つめの信号を入力するための端子です。
VCO2のサイン波が内部接続されています。
- l. 入力2レベル・スライダ
入力2端子の信号レベルを調節します。
- m. 出力端子
リング・モジュレーターの出力端子です。2つの入力を乗算した信号を出力します。

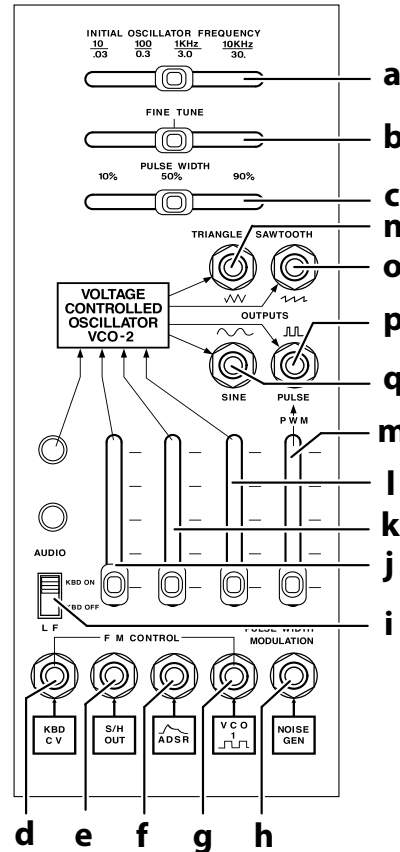
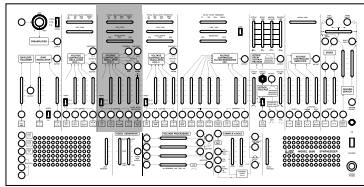
フロント・パネル (VCO-1セクション)



VCO-1(ボルテージ・コントロールド・オシレーター 1)

- a. **INITIAL OSCILLATOR FREQUENCY**スライダー... [10(.03)Hz...10K(30.)Hz]
VCO-1のピッチをおおまかに調節します。
⚠ 周波数範囲はおおよその数値です。
- b. **FINE TUNE**スライダー
VCO-1のピッチを微調節します。
- c. **CV入力1端子**
VCO-1のピッチCV入力端子です。KBD CVが内部接続されています。
- d. **CV入力2端子**
VCO-1のピッチCV入力端子です。S/H OUTが内部接続されています。
- e. **CV入力3端子**
VCO-1のピッチCV入力端子です。ADSRが内部接続されています。
- f. **CV入力4端子**
VCO-1のピッチCV入力端子です。VCO-2 サイン波が内部接続されています。
- g. **AUDIO/LFセレクト・スイッチ** [KBD ON, KBD OFF]
VCO-1を音声信号として使用するか、LFOとして使用するかを選択します。LFOとして使用する(KBD OFF)の場合、KBD CVはVCO-1に入力されなくなります。
- h. **CV入力2スライダー**
VCO-1 CV入力2の信号レベルを調節します。
- i. **CV入力3スライダー**
VCO-1 CV入力3の信号レベルを調節します。
- j. **CV入力4スライダー**
VCO-1 CV入力4の信号レベルを調節します。
- k. **SAWTOOTH出力端子**
VCO-1のノコギリ波を出力します。
- l. **SQUARE出力端子**
VCO-1の矩形波を出力します。

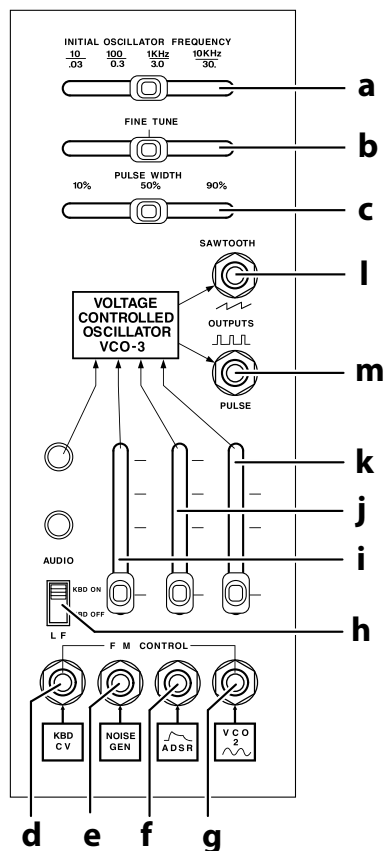
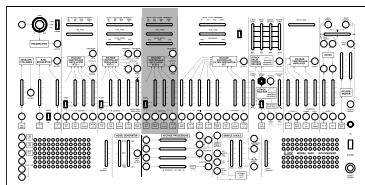
フロント・パネル (VCO-2セクション)



VCO-2(ボルテージ・コントロールド・オシレーター 2)

- a. **INITIAL OSCILLATOR FREQUENCY**スライダー... [10(.03)Hz...10K(30.)Hz]
VCO-2のピッチをおおまかに調節します。
▲ 周波数範囲はおおよその数値です。
- b. **FINE TUNE**スライダー
VCO-2のピッチを微調節します。
- c. **PULSE WIDTH**スライダー[10%...90%]
VCO-2のパルス波のデューティ比を調節します。
- d. **CV入力1端子**
VCO-2のピッチCV入力端子です。KBD CVが内部接続されています。
- e. **CV入力2端子**
VCO-2のピッチCV入力端子です。S/H OUTが内部接続されています。
- f. **CV入力3端子**
VCO-2のピッチCV入力端子です。ADSRが内部接続されています。
- g. **CV入力4端子**
VCO-2のピッチCV入力端子です。VCO-1矩形波が内部接続されています。
- h. **PULSE WIDTH MODULATION**入力端子
VCO-2のパルス波出力のデューティ比を制御するCVの入力端子です。ノイズ・ジェネレーターが内部接続されています。
- i. **AUDIO/LFセレクト・スイッチ** [KBD ON, KBD OFF]
VCO-2を音声信号として使用するか、LFOとして使用するかを選択します。LFOとして使用する(KBD OFF)の場合、KBD CVはVCO-2に入力されなくなります。
- j. **CV入力2レベル・スライダー**
VCO-2 CV入力2の信号レベルを調節します。
- k. **CV入力3レベル・スライダー**
VCO-2 CV入力3の信号レベルを調節します。
- l. **CV入力4レベル・スライダー**
VCO-2 CV入力4の信号レベルを調節します。
- m. **PULSE WIDTH MODULATION**入力レベル・スライダー
パルス幅変調のかかり具合を調節します。
- n. **TRIANGLE**出力端子
VCO-2の三角波を出力します。
- o. **SAWTOOTH**出力端子
VCO-2のノコギリ波を出力します。
- p. **PULSE**出力端子
VCO-2のパルス波を出力します。
- q. **SINE**出力端子
VCO-2のサイン波を出力します。

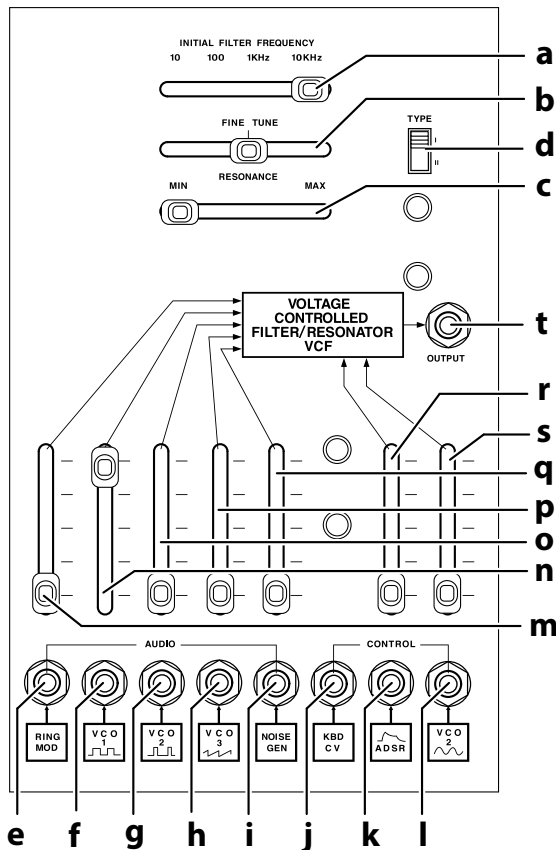
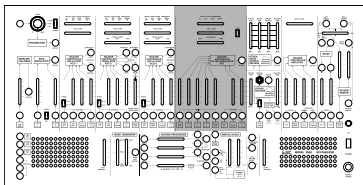
フロント・パネル (VCO-3セクション)



VCO-3(ボルテージ・コントロールド・オシレーター 3)

- a. **INITIAL OSCILLATOR FREQUENCY**スライダー... [10(.03)Hz...10K(30.)Hz]
VCO-3のピッチをおおまかに調節します。
▲ 周波数範囲はおおよその数値です。
- b. **FINE TUNE**スライダー
VCO-3のピッチを微調節します。
- c. **PULSE WIDTH**スライダー[10%...90%]
VCO-3のパルス波のデューティ比を調節します。
- d. **CV入力1端子**
VCO-3のピッチCV入力端子です。KBD CVが内部接続されています。
- e. **CV入力2端子**
VCO-3のピッチCV入力端子です。ノイズ・ジェネレーターが内部接続されています。
- f. **CV入力3端子**
VCO-3のピッチCV入力端子です。ADSRが内部接続されています。
- g. **CV入力4端子**
VCO-3のピッチCV入力端子です。VCO-2サイン波が内部接続されています。
- h. **AUDIO/LFセレクト・スイッチ** [KBD ON, KBD OFF]
VCO-3を音声信号として使用するか、LFOとして使用するかを選択します。LFOとして使用する(KBD OFF)の場合、KBD CVはVCO-3に入力されなくなります。
- i. **CV入力2レベル・スライダー**
VCO-3 CV入力2の信号レベルを調節します。
- j. **CV入力3レベル・スライダー**
VCO-3 CV入力3の信号レベルを調節します。
- k. **CV入力4レベル・スライダー**
VCO-3 CV入力4の信号レベルを調節します。
- l. **SAWTOOTH**出力端子
VCO-3のノコギリ波を出力します。
- m. **PULSE**出力端子
VCO-3のパルス波を出力します。

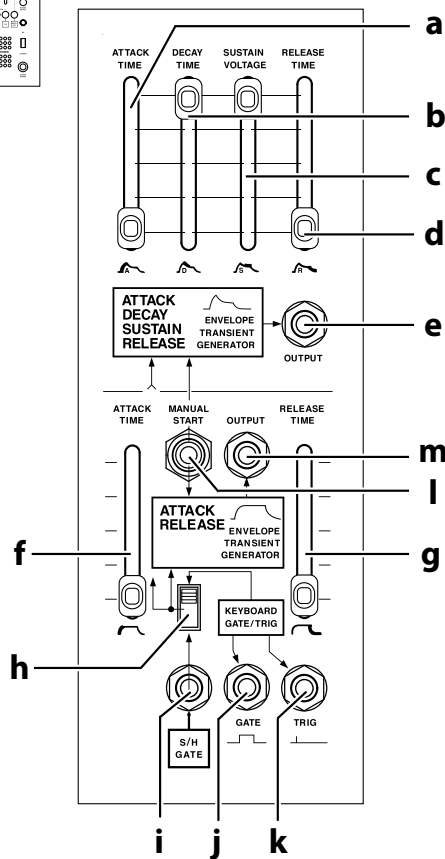
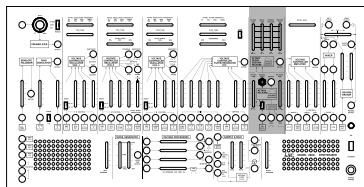
フロント・パネル(VCFセクション)



VCF(ポルテージ・コントロールド・フィルター)

- a. INITIAL FILTER FREQUENCYスライダー** [10Hz...10KHz]
LPF(ロー・パス・フィルター)のカットオフ周波数を大まかに調節します。
スライダーを左側に動かすと、入力信号の高域がカットされ柔らかい音になります。スライダーを右側に動かすほど固く明るい音になります。
▲ 周波数範囲はおおよその数値です。
- b. FINE TUNEスライダー**
LPFのカットオフ周波数を微調節します。
- c. RESONANCEスライダー**
フィルターのレゾナンス(共鳴)レベルを調節します。
倍音成分のカットオフ・ポイントの周波数を強調し音色変化を得ます。スライダーを動かしていくと、あるポイントから自己発振(VCF自身が音を発する現象)します。
- d. TYPEスイッチ** [I, II]
VCFのタイプを選択します。
TYPE I : ARP 2600 前期型、TYPE II : ARP 2600 後期型
- e. AUDIO入力1端子**
VCFの音声信号の入力端子です。RING MODULATORが内部接続されています。
- f. AUDIO入力2端子**
VCFの音声信号の入力端子です。VCO-1の矩形波が内部接続されています。
- g. AUDIO入力3端子**
VCFの音声信号の入力端子です。VCO-2のパルス波が内部接続されています。
- h. AUDIO入力4端子**
VCFの音声信号の入力端子です。VCO-3のノコギリ波が内部接続されています。
- i. AUDIO入力5端子**
VCFの音声信号の入力端子です。ノイズ・ジェネレーターが内部接続されています。
- j. CV入力1端子**
VCFのカットオフ周波数を制御するCV入力端子です。KBD CVが内部接続されています。
- k. CV入力2端子**
VCFのカットオフ周波数を制御するCV入力端子です。ADSRが内部接続されています。
- l. CV入力3端子**
VCFのカットオフ周波数を制御するCV入力端子です。VCO-2のサイン波が内部接続されています。
- m. AUDIO入力1レベル・スライダー**
VCF AUDIO入力1の音声信号レベルを調節します。
- n. AUDIO入力2レベル・スライダー**
VCF AUDIO入力2の音声信号レベルを調節します。
- o. AUDIO入力3レベル・スライダー**
VCF AUDIO入力3の音声信号レベルを調節します。
- p. AUDIO入力4レベル・スライダー**
VCF AUDIO入力4の音声信号レベルを調節します。
- q. AUDIO入力5レベル・スライダー**
VCF AUDIO入力5の音声信号レベルを調節します。
- r. CV入力2レベル・スライダー**
VCF CV入力2の信号レベルを調節します。
- s. CV入力3レベル・スライダー**
VCF CV入力3の信号レベルを調節します。
- t. 出力端子**
VCFの出力端子です。

フロント・パネル (ADSR EG/AR EGセクション)



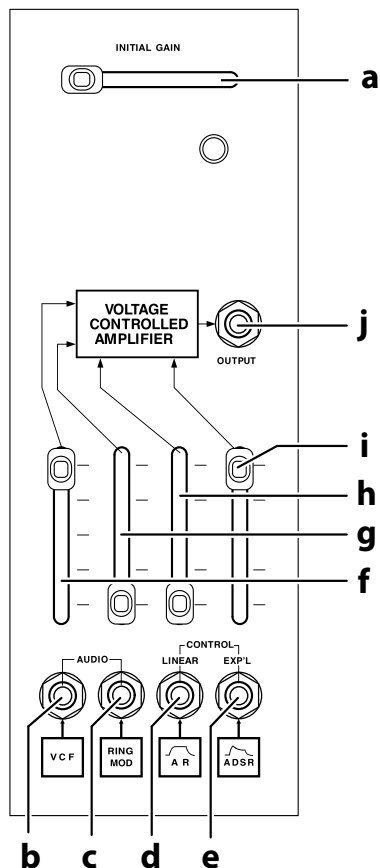
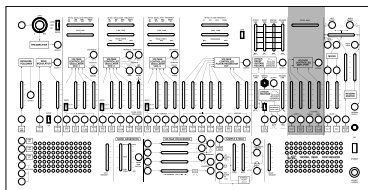
ADSR EG(エンベロープ・ジェネレーター)

- a. **ATTACK TIMEスライダー**
ADSR EGのアタック・タイムを調節します。
- b. **DECAY TIMEスライダー**
ADSR EGのディケイ・タイムを調節します。
- c. **SUSTAIN VOLTAGESライダー**
ADSR EGのサステイン・レベルを調節します。
- d. **RELEASE TIMEスライダー**
ADSR EGのリリース・タイムを調節します。
- e. **出力端子**
ADSR EGの信号の出力端子です。

AR EG(エンベロープ・ジェネレーター)

- f. **ATTACK TIMEスライダー**
AR EGのアタック・タイムを調節します。
- g. **RELEASE TIMEスライダー**
AR EGのリリース・タイムを調節します。
- h. **GATE/TRIGソース切り替えスイッチ [S/H GATE, KEYBOARD GATE/TRIG]**
GATE/TRIGGER信号をS/H GATEから受けるか、MIDIコントローラーから受けるかを選択します。
- i. **GATE入力端子**
ゲート信号を入力します。S/H GATEが内部接続されています。
- j. **GATE出力端子**
MIDIコントローラーのゲート信号を出力します。
- k. **TRIG出力端子**
MIDIコントローラーのトリガー信号を出力します。
- l. **MANUAL STARTスイッチ**
このスイッチを押すとゲート信号が発生し、ADSR/AR信号が出力されます。MIDIコントローラーを使用せずに音を確認するときに便利です。
- m. **出力端子**
AR EGの信号の出力端子です。

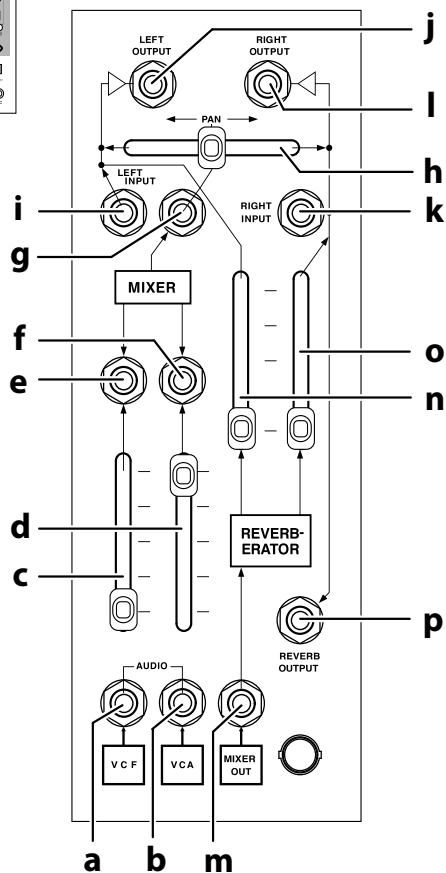
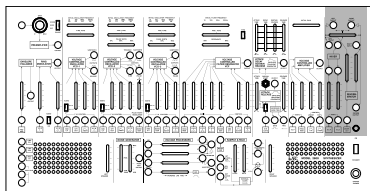
フロント・パネル (VCAセクション)



VCA(ボルテージ・コントロールド・アンプリファイア)

- a. **INITIAL GAINスライダー**
VCAのCVのオフセット電圧を調節します。
- b. **AUDIO入力1端子**
VCAの音声信号の入力端子です。VCFが内部接続されています。
- c. **AUDIO入力2端子**
VCAの音声信号の入力端子です。リング・モジュレーターが内部接続されています。
- d. **CV入力1端子**
VCAのゲインを制御するCV入力端子です。AR EGが内部接続されています。VCAのゲインとこのCV電圧は比例関係となっています。
- e. **CV入力2端子**
VCAの出力を制御するCV入力端子です。ADSR EGが内部接続されています。VCAのゲインとこのCV電圧は指数関係となっています。
- f. **AUDIO入力1レベル・スライダー**
VCA AUDIO入力1の音声信号レベルを調節します。
- g. **AUDIO入力2レベル・スライダー**
VCA AUDIO入力2の音声信号レベルを調節します。
- h. **CV入力1レベル・スライダー**
VCA CV入力1の信号レベルを調節します。
- i. **CV入力2レベル・スライダー**
VCA CV入力2の信号レベルを調節します。
- j. **出力端子**
VCAの出力端子です。CV入力1、CV入力2からのCV信号によって、音量変化の効果がついた音声信号を出力します。
⚡ a. INITIAL GAINスライダーを一番右まで動かすと、音声信号が止まらず出力され続けます。

フロント・パネル (MIXER, REVERBセクション)



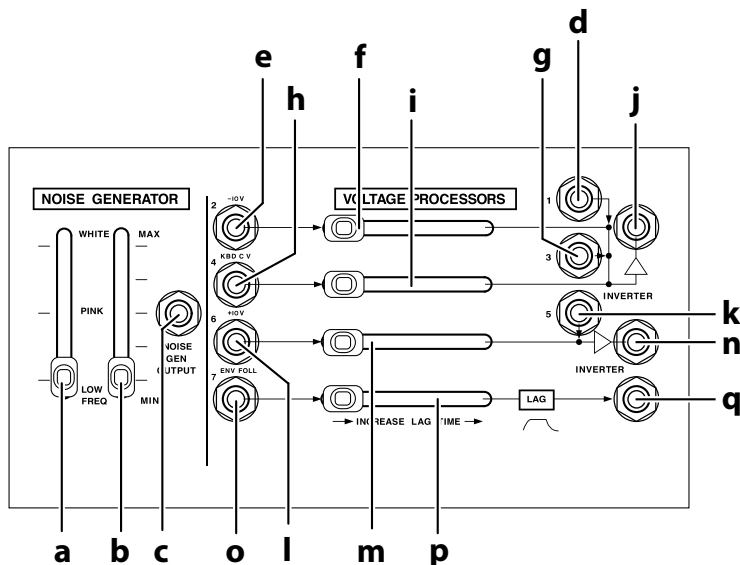
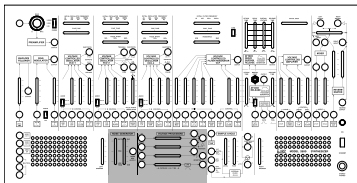
MIXER(ミキサー)

- a. **入力1端子**
ミキサーの入力端子です。VCFの出力が内部接続されています。
- b. **入力2端子**
ミキサーの入力端子です。VCAの出力が内部接続されています。
- c. **入力1レベル・スライダー**
ミキサー入力1のオーディオ信号レベルを調節します。
- d. **入力2レベル・スライダー**
ミキサー入力2のオーディオ信号レベルを調節します。
- e. **AUDIO出力1端子**
c.で調節されたオーディオ信号の出力端子です。
▲ この端子にパッチケーブルを挿すと、音声信号はミキサーに入力されません。
- f. **AUDIO出力2端子**
d.で調節されたオーディオ信号の出力端子です。
▲ この端子にパッチケーブルを挿すと、音声信号はミキサーに入力されません。
- g. **L/R入力端子**
左右両方のチャンネルに出力される音声信号の入力です。ミキサーの出力が内部接続されています。
- h. **PANスライダー**
パンポット(左右の音量バランス)を調節します。
- i. **LEFT INPUT端子**
音声出力の左チャンネル側の入力端子です。
- j. **LEFT OUTPUT端子**
n.で調節されたスプリング・リバーブのかかった出力とLEFT INPUT端子からの入力を加算した音声信号が出力されます。
- k. **RIGHT INPUT端子**
音声出力の右チャンネル側の入力端子です。
- l. **RIGHT OUTPUT端子**
o.で調節されたスプリング・リバーブのかかった出力とRIGHT INPUT端子からの入力を加算した音声信号が出力されます。

REVERB(リバーブ)

- m. **入力端子**
スプリング・リバーブの入力端子です。ミキサーの出力が内部接続されています。
- n. **レベル・スライダー L**
スプリング・リバーブに入力されるLEFT側信号レベルを調節します。
- o. **レベル・スライダー R**
スプリング・リバーブに入力されるRIGHT側信号レベルを調節します。
- p. **REVERB OUTPUT端子**
スプリング・リバーブの出力です。ここにパッチ・ケーブルを接続すると、l. からリバーブのかかった信号は出力されなくなります。

フロント・パネル (NOISE GENERATOR, VOLTAGE PROCESSORSセクション)



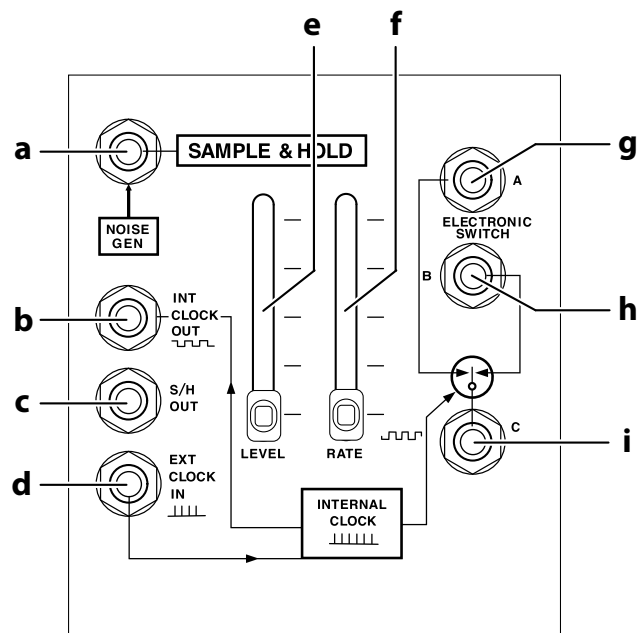
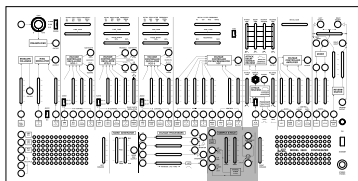
NOISE GENERATOR(ノイズ・ジェネレーター)

- a. **ノイズ・カラー・スライダー** [LOW FREQ...PINK...WHITE]
ノイズの周波数成分を調節します。
- b. **ノイズ・レベル・スライダー**
ノイズ・ジェネレーターの信号レベルを調節します。
- c. **NOISE GEN OUTPUT端子**
ノイズ・ジェネレーターの出力端子です。

VOLTAGE PROCESSORS(ボルテージ・プロセッサズ)

- d. **インバーター入力1端子**
インバーター (電圧反転モジュール)の入力端子です。
- e. **インバーター入力2端子**
インバーターの入力端子です。-10Vが内部接続されています。
- f. **インバーター入力2レベル・スライダー**
インバーター入力2端子の電圧レベルを調節します。
- g. **インバーター入力3端子**
インバーターの入力端子です。
- h. **インバーター入力4端子**
インバーターの入力端子です。KBD CVが内部接続されています。
Tip: 反転したKBD CVをVCOにパッチすると、鍵盤とピッチの関係が逆になります。
- i. **インバーター入力4レベル・スライダー**
インバーター入力4端子の電圧レベルを調節します。
- j. **インバーター出力1端子**
インバーター入力1～4を加算した電圧を反転して出力します。
- k. **インバーター入力5端子**
インバーターの入力端子です。
- l. **インバーター入力6端子**
インバーターの入力端子です。+10Vが内部接続されています。
- m. **インバーター入力6レベル・スライダー**
インバーター入力6端子の電圧レベルを調節します。
- n. **インバーター出力2端子**
インバーター入力5、6を加算した電圧を反転して出力します。
- o. **LAG入力端子**
LAG回路(遅延回路)の入力端子です。エンベロープ・フォロワーの出力(→94ページの「ENVELOPE FOLLOWER(エンベロープ・フォロワー)」)が内部接続されています。
- p. **LAG TIMEスライダー**
LAG TIMEの長さを調節します。右へスライドさせるほど、出力信号が滑らかになります。
- q. **LAG出力端子**
LAG回路を通して滑らかになった信号を出力します。

フロント・パネル (SAMPLE&HOLDセクション)



SAMPLE & HOLD(サンプル&ホールド)

a. SAMPLE&HOLD入力端子

サンプル&ホールド回路の入力端子です。ノイズ・ジェネレーターが内部接続されています。

b. INT CLOCK OUT端子

本機に搭載されているクロック・ジェネレーターのクロック信号を出力します。

c. S/H OUT端子

サンプル&ホールド信号を出力します。

d. EXT CLOCK IN端子

外部クロック用の入力端子です。ここにVCO1矩形波などを入力すると、SAMPLE&HOLDは入力された信号に同期します。

e. サンプル&ホールド入力レベル・スライダ

サンプル&ホールド回路に入力する信号のレベルを調節します。

f. CLOCK RATEスライダ[0.2Hz...24Hz]

内部クロックの周波数を調節します。

g. ELECTRONIC SWITCH A端子

クロックに同期するアナログ・スイッチです。ELECTRONIC SWITCH B、Cと組み合わせて使用します。

h. ELECTRONIC SWITCH B端子

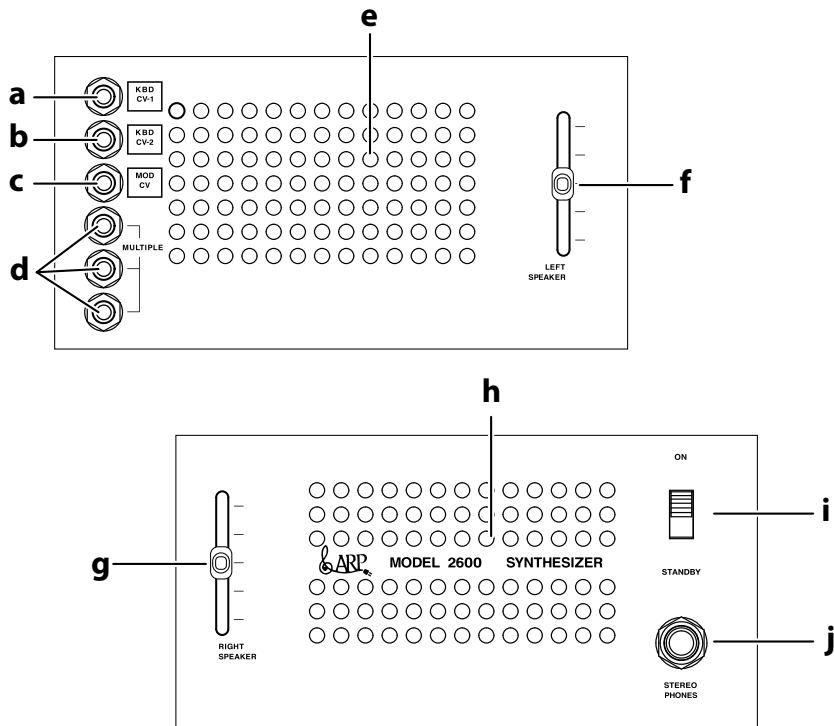
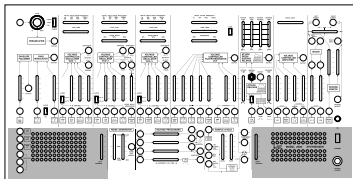
クロックに同期するアナログ・スイッチです。ELECTRONIC SWITCH A、Cと組み合わせて使用します。

i. ELECTRONIC SWITCH C端子

クロックに同期するアナログ・スイッチです。ELECTRONIC SWITCH A、Bと組み合わせて使用します。クロックに同期して端子A-C、端子B-Cが交互に接続されます。

Tip: 例えばA端子をLEFT INPUT、B端子をRIGHT INPUT、C端子に音声信号を接続すると、オート・パン効果が得られます。

フロント・パネル (スピーカー・セクションL、スピーカー・セクションR)



スピーカー・セクションL

a. KBD CV-1端子

接続したMIDIコントローラーのノート・オンに対応するピッチCVが出力されます。複数のノート・オンがある場合、低い方のピッチCVが出力されます。

Tip: VCOやVCFなどのKBD CV入力電圧とこのKBD CV-1端子の出力電圧は同じです。

b. KBD CV-2端子

接続したMIDIコントローラーのノート・オンに対応するピッチCVが出力されます。複数のノート・オンがある場合、高い方のピッチCVが出力されます。

Tip: 複数の鍵盤を弾いたときのピッチCVの電圧について、詳しくは 109 ページの「ボイス・アサイン・モードの設定」をご覧ください。

c. MOD CV端子

接続したMIDIコントローラーのモジュレーション(CC#01)に対応するCVが出力されます。およそ0Vから+7Vまで変化します。

d. MULTIPLE端子

オーディオ信号、コントロール信号のどちらでも使える、汎用の信号分配用端子(タコ足)です。

e. 内蔵スピーカーL

f. LEFT SPEAKERスライダー

内蔵スピーカーLの音量を調節します。ヘッドホンを接続した場合、このスライダーはヘッドホンのLチャンネルの音量を調節します。

スピーカー・セクションR

g. RIGHT SPEAKERスライダー

内蔵スピーカーRの音量を調節します。ヘッドホンを接続した場合、このスライダーはヘッドホンのRチャンネルの音量を調節します。

h. 内蔵スピーカーR

i. 電源スイッチ

電源のオン/オフを行います。

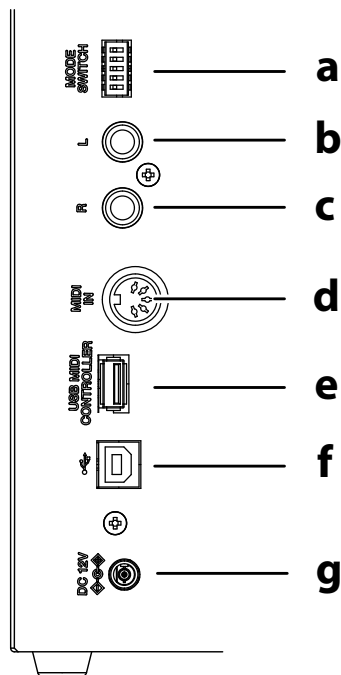
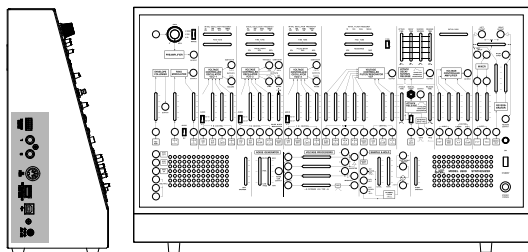
j. STEREO PHONES端子

ヘッドホンを接続します。φ6.3mmステレオ・フォーン端子です。

⚠ ヘッドホンを接続すると、内蔵スピーカーからは音が出なくなります。

サイド・パネル

(モード・スイッチ、メイン出力端子、MIDI、USB、電源端子)



モード・スイッチ

MIDIチャンネルの設定、およびオート・パワー・オフの設定をします。

a. MODE SWITCH1 ~ 5

スイッチ1 ~ 4の組み合わせでMIDIチャンネル1 ~ 16を設定します (→109 ページの「MIDIチャンネル」)。スイッチ5はオート・パワー・オフ機能の有効/無効を設定します (→107 ページの「オート・パワー・オフ設定を変更する」)。

メイン出力端子

b. メイン出力L

本機のLチャンネル音声信号を出力します。6.3mm標準ジャックです。

c. メイン出力R

本機のRチャンネル音声信号を出力します。6.3mm標準ジャックです。

MIDI(ミディ)

d. MIDI IN端子

MIDIコントローラーと本機をMIDIケーブルで接続し、MIDIデータを受信します。

USB

e. USB MIDI CONTROLLER端子

MIDIコントローラーとUSBケーブルで直接接続し、MIDIデータを受信します。

⚠ この端子はUSB MIDIメッセージの受信専用です。コンピューターと接続する場合は、f. USB B端子をご使用ください。

⚠ 消費電力の大きいUSB MIDIコントローラーは、コントローラーに付属する電源アダプターをご使用ください。

⚠ USBハブ機能をもつUSB MIDIコントローラーは使用できません。

f. USB B端子

コンピューターと接続し、MIDIデータを送受信します。

電源端子

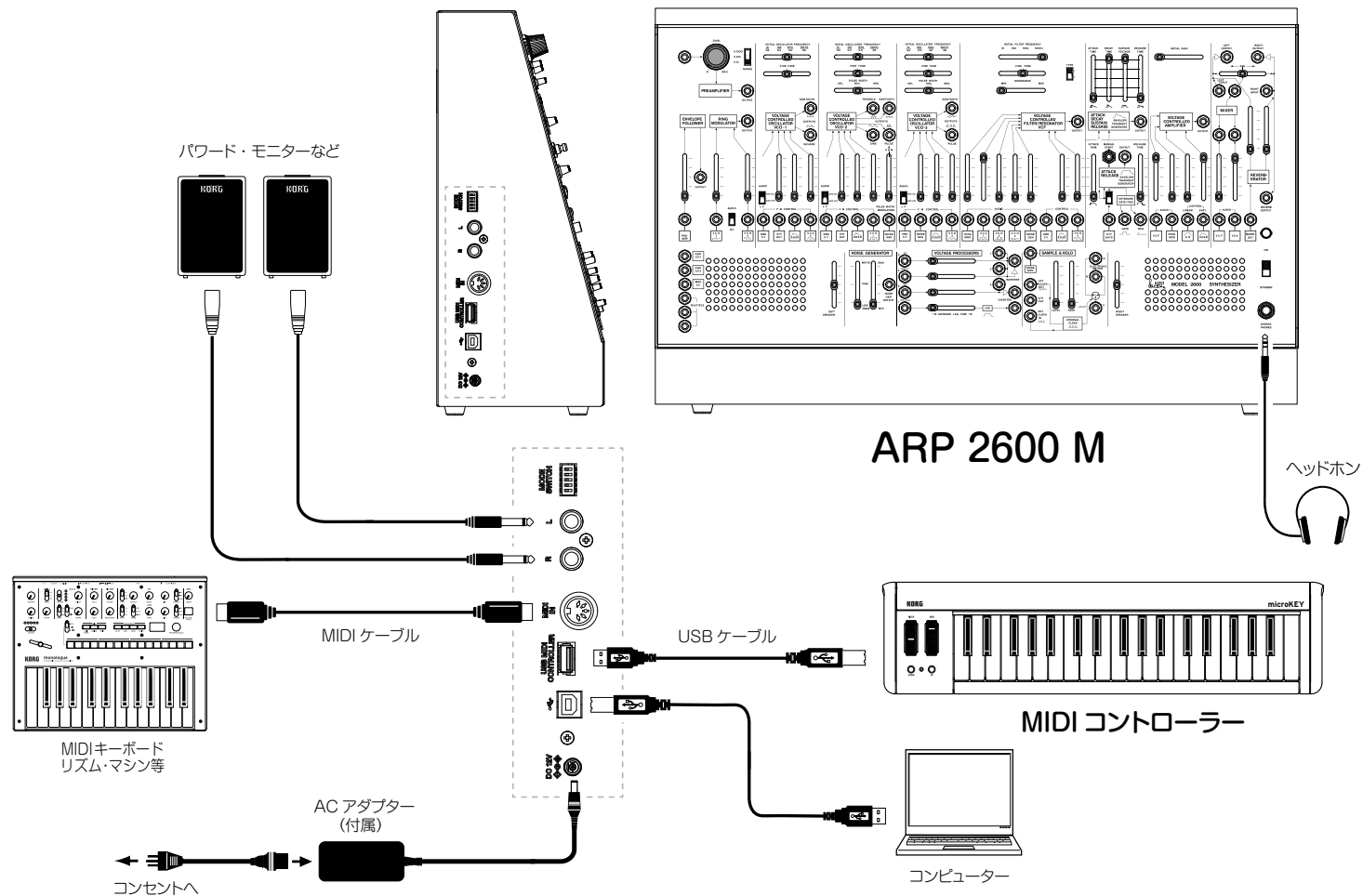
g. DC 12V端子

付属のACアダプター (KA320)を接続します。

演奏までの準備

接続

下図は、本機の基本的な接続例です。あなたが必要とするシステムに置き換えて機器を接続してください。



電源を入れる

最初に以下を確認してから接続を始めてください。

- 電源は必ずAC100Vを使用してください。
- ACアダプターは必ず付属のものを使用してください。
- ミキサーまたはパワード・モニターなどの外部出力機器を接続している場合、それらの機器の音量を最小にし、電源をオフにしてください。
- 本機のフロント・パネル右下にある電源スイッチがオフになっていることを確認してください。

1. 本機のLEFT SPEAKERスライダーおよびRIGHT SPEAKERスライダーを一番下まで下げます。
2. 付属ACアダプターのDCプラグを本機サイド・パネルにあるDC 12V端子に接続し、電源コードのコネクタをACアダプターに接続します。
3. 電源コードのプラグをコンセントに接続します。

⚡ 感電と機器の損傷を防ぐために、アース接続を確実に行ってください。

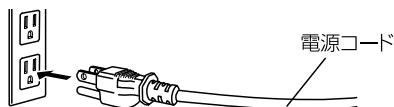
接地極付きコンセントに接続する場合

接地極付きコンセントに、AC電源コードのプラグをそのまま差し込んでください(図上側)。

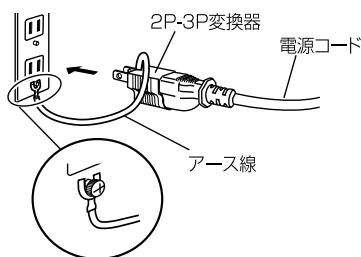
アース端子付きコンセントに接続する場合

AC電源コードのプラグに、2P-3P変換器を取り付けます。そして、コンセントのアース端子にアース線を接続し、2P-3P変換器のプラグを差し込みます(図下側)。

接地極付きコンセント



アース端子付きコンセント



警告:アース接続は、コンセントにプラグを差し込む前に行ってください。また、アース接続を外すときは、コンセントからプラグを抜いてから行ってください。

2P-3P変換器のアース線のU字端子にカバーが付いている場合は、カバーをはずして使用してください。

必要に応じてケーブル類を接続してください。本機はこの状態でスタンバイ状態になります。

⚡ スタンバイ状態は、電源ラインから完全に切り離されていません。この状態で本機の内部を触るのは非常に危険です。本機の電源を完全に切るときは、壁のコンセントからAC電源コードを必ず抜いてください。

4. 本機の電源スイッチをONに切り替えると、電源LEDが点灯し、電源がオンになります。パワード・モニターなどの外部出力機器は、音量を下げてから電源を入れます。

5. 本機のLEFT SPEAKERスライダーおよびRIGHT SPEAKERスライダーを調節します。外部出力機器を接続している場合、それらの機器の音量を適度に上げます。

Tip: 電源を入れたまま AC アダプターを抜いてしまったときやオート・パワー・オフ機能が働いたときなど、スイッチがオンの位置で電源が切れてしまった場合は、一度スイッチをオフの状態にしてから再度電源を入れてください。

Tip: 音作りに慣れていないときは、次ページ「基本セッティング」の設定からはじめることをお勧めします。

電源を切る

1. パワード・モニターなどの外部出力機器の音量を下げてから、外部出力機器の電源を切ります。
2. 本機の電源スイッチをSTANDBY側に切り替えると、電源LEDが消灯し、電源がオフになります。

オート・パワー・オフ機能

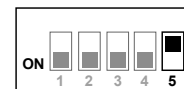
本機には、演奏や操作をしないまま約4時間が経過すると、自動的に電源をオフにするオート・パワー・オフ機能があります。工場出荷時は、オート・パワー・オフ機能が有効に設定されています。

オート・パワー・オフ設定を変更する

オート・パワー・オフ機能を有効または無効に設定することができます。

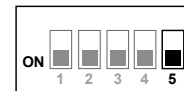
オート・パワー・オフ機能を「無効」にする

サイド・パネルLにあるMODE SWITCHの5をオフ(上)に設定してください。電源を入れ直さなくてもオート・パワー・オフ機能が無効になります。



オート・パワー・オフ機能を「有効」にする

サイド・パネルLにあるMODE SWITCHの5をオン(下)に設定してください。電源を入れ直さなくてもオート・パワー・オフ機能が有効になります。



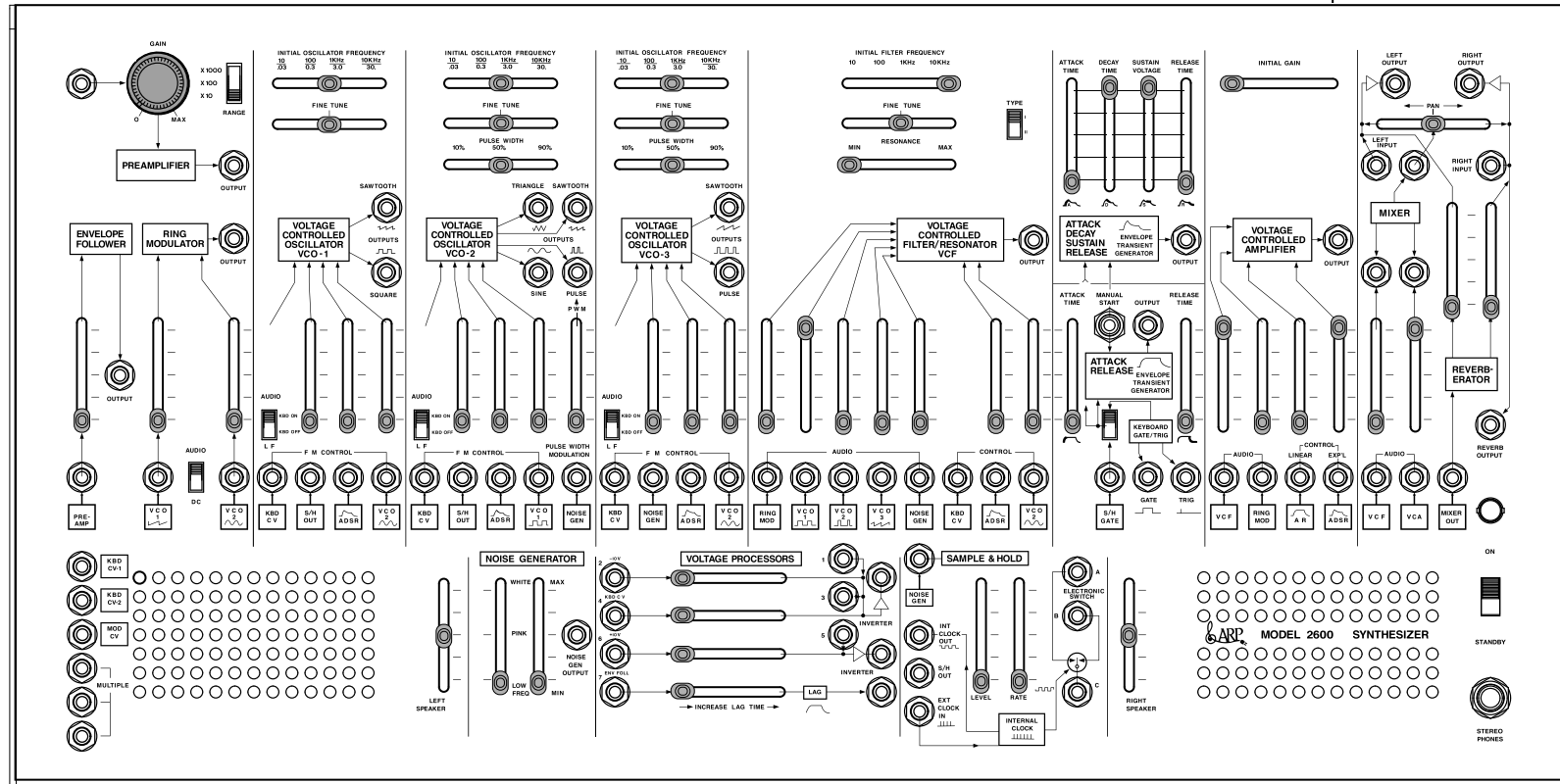
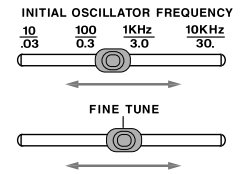
音を出してみよう

基本セッティング

本機のコントローラー（スライダーやスイッチなど）を下図のように設定します。
この設定で鍵盤を弾くとVCO-1の矩形波の音が単独で出力されます。音量はMIXERセクションの入力レベル2・スライダー（101ページの「MIXER(ミキサー)」）で調節します。

チューニング

本機を前述の基本セッティングに設定したあと、市販のチューナー（コルグCA-50など）を使用して各VCOのFINE TUNEスライダーでピッチを調節します。



ボイス・アサイン・モードの設定

本機は、デュオフォニック(2音同時に発音する)シンセサイザーとして機能します。2つのMIDIノート・オン・メッセージに対するピッチCV出力の方法(ボイス・アサイン・モード)が2種類あり、起動時に設定することができます。

ノーマル・モード(デフォルト)

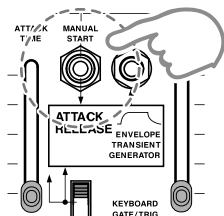
工場出荷時に設定されているモードです。2つのノート・オンに対して、一番低いノートがKBD CV-1、一番高いノートがKBD CV-2(UPPER VOICE)として出力されます。

オリジナル・モード

オリジナルのARP 3620鍵盤ユニットの動作を再現したモードです。一番低いノートがKBD CV-1、一番高いノートがKBD CV-2(UPPER VOICE)として出力される点はノーマル・モードと同じですが、ゲート信号がオンになるタイミング(1つ目の鍵盤が押されるとき)まで一番低いノートと一番高いノートが維持され続けます。

設定方法

1. パネル上のMANUAL STARTスイッチを押し続けながら本機の電源をオンにします。
2. 電源ランプが点灯したら、MANUAL STARTスイッチを続けて押します。3回押した場合はノーマル・モード、4回押した場合はオリジナル・モードに設定されます。
3. 設定が記憶され(電源ランプ点滅)、通常起動します。



⚠ 設定変更後、数秒間(電源ランプ点滅中)は電源を切らないでください。データが破損し、故障する原因になります。

Tip: ボイス・アサイン・モード機能の設定は、電源を切っても記憶されます。

トリガー・モードの設定

連続ノート・オン時のADSR回路の動作開始(トリガー)を選択します。

マルチプル・トリガー・モード(デフォルト)

ノート・オンのたびにADSR回路にトリガーがかかります。

シングル・トリガー・モード

ADSRのリリース・タイム終了までは新しいノート・オンでトリガーがかからないため、レガート奏法に使用します。

設定方法

1. パネル上のMANUAL STARTスイッチを押し続けながら本機の電源をオンにします。
 2. 電源ランプが点灯したら、MANUAL STARTスイッチを続けて押します。5回押した場合はマルチプル・トリガー・モード、6回押した場合はシングル・トリガー・モードに設定されます。
 3. 設定が記憶され(電源ランプ点滅)、通常起動します。
- ⚠ トリガー・モードはAR回路に対しては無効です。

⚠ 設定変更後、数秒間(電源ランプ点滅中)は電源を切らないでください。データが破損し、故障する原因になります。

Tip: トリガー・モード機能の設定は、電源を切っても記憶されます。

MIDIについて

MIDI機器の接続

本機とコンピューターや外部MIDIシーケンサーなどを接続することにより、外部からコントロールして本機の音源部を発音させることができます。市販のMIDIケーブルを用意し、本機のMIDI IN端子と、外部MIDI機器のMIDI OUT端子を接続してください(106ページの「接続」)。

MIDI IN端子: 他のMIDI機器からMIDIメッセージを受け取ります。外部機器のMIDI OUT端子と接続します。本機がMIDI IN端子で受信可能なMIDIメッセージは、ノート・メッセージのほか、ピッチ・ベンド、モジュレーション、ポルタメントです。

⚠ ノート・メッセージのベロシティは無視、受信範囲は012(C0)~127(G9)です。

MIDIチャンネル

MIDIには、1~16のチャンネルがあります。

外部MIDI機器を接続する場合、本機のMIDIチャンネルと外部MIDI機器のMIDIチャンネルを合わせる必要があります。工場出荷時は1チャンネルに設定されています。

Tip: 外部MIDI機器のMIDIチャンネルの設定は、ご使用になる機器の取扱説明書を参照してください。

本機のMIDIチャンネルを設定する

リア・パネルにあるMODE SWITCHの1から4で設定します。MIDIチャンネルの設定は下表の通りになります。設定を変更した時点でMIDIチャンネルは切り替わります。

⚠ 動作中にMIDIチャンネルを変えることができますが、発音中の音はオフになります。また、ピッチ・ベンドもリセットされます。

Ch. 01	ON	1	2	3	4
Ch. 02	ON	1	2	3	4
Ch. 03	ON	1	2	3	4
Ch. 04	ON	1	2	3	4
Ch. 05	ON	1	2	3	4
Ch. 06	ON	1	2	3	4
Ch. 07	ON	1	2	3	4
Ch. 08	ON	1	2	3	4
Ch. 09	ON	1	2	3	4
Ch. 10	ON	1	2	3	4
Ch. 11	ON	1	2	3	4
Ch. 12	ON	1	2	3	4
Ch. 13	ON	1	2	3	4
Ch. 14	ON	1	2	3	4
Ch. 15	ON	1	2	3	4
Ch. 16	ON	1	2	3	4

コンピューターとの接続

USB端子のあるコンピューターと直接USBケーブルで接続します。(106 ページの「接続」)
USB端子で送受信することができるMIDIメッセージは、ノート・メッセージの送受信(ペロシティは送信が64固定、受信は無視)および、ピッチ・ベンド情報、モジュレーション情報(受信のみ)です。

Tip: 送信されるMIDIメッセージは、鍵盤を弾いたときに送信されるノート・メッセージだけです。スライダーやスイッチの操作ではMIDIメッセージを送信しません。

Tip: USB接続するときは、コンピューターにKORG USB-MIDIドライバーをインストールする必要があります。コルグ・ウェブサイト(<http://www.korg.com/>)より最新のKORG USB-MIDIドライバーをダウンロードし、ドライバーに付属のドキュメントに従ってインストールしてください。

MIDIインプリメンテーション・チャートについて

MIDIインプリメンテーション・チャートは、送受信できるMIDIメッセージについて確認できるようになっています。MIDI機器を使うときには、それぞれのMIDIインプリメンテーション・チャートを比較し、対応しているMIDIメッセージを確認してください。本機のMIDIインプリメンテーション・チャートはコルグ・ウェブサイトからダウンロードしてください。

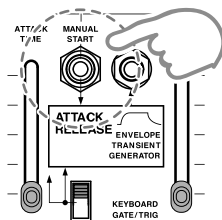
Tip: 詳細なMIDIの仕様については、MIDIインプリメンテーションに記載されています。MIDIインプリメンテーションについては、コルグ・ウェブサイト(<http://www.korg.com/>)をご覧ください。

工場出荷時の設定に戻す

ボイス・アサイン・モード、トリガー・モードの設定を工場出荷時の状態に戻すことができます。

設定方法

1. パネル上のMANUAL STARTスイッチを押し続けながら本機の電源をオンにします。
 2. 電源ランプが点灯したら、MANUAL STARTスイッチを8回連続して押します。
 3. 設定が記憶され(電源ランプ点滅)、通常起動します。
- ⚠ 設定変更後、数秒間(電源ランプ点滅中)は電源を切らないでください。データが破損し、故障する原因になります。



故障とお思いになる前に

電源がオンにならない。

- ACアダプターは、正しく接続されていますか？

音が出ない。

- パッチケーブルをすべて外し、本機のパネルのセッティングを「基本セッティング」(→108 ページの「基本セッティング」)に設定してみてください。
- LEFT SPEAKERスライダー、RIGHT SPEAKERスライダー (→104 ページの「フロント・パネル (スピーカー・セクションL、スピーカー・セクションR)」)、VCAセクションのVCA AUDIO 入力レベル1・スライダー (→100 ページの「VCA(ボルテージ・コントロールド・アンプリファイア)」)、MIXERセクションの入力レベル1・スライダーや入力レベル2・スライダー (→101 ページの「MIXER(ミキサー)」)が下がりがきいていませんか？
- アンプやミキサー、ヘッドホンなどは正しく端子に接続されていますか？
- アンプやミキサーなどの電源が入り、音量は上がっていますか？
- ヘッドホンが接続されていませんか？
ヘッドホンが接続されている場合、スピーカーからは音は出ません。

外部から送信されたMIDIデータに応答しない。

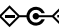
- MIDIケーブルまたはUSBケーブルは正しく接続されていますか？ (106 ページの「接続」)
- 外部MIDI機器が送信するデータのMIDIチャンネルと本機のグローバルMIDIチャンネルは合っていますか？ (→109 ページの「MIDIチャンネル」)
- USB MIDIコントローラーはUSBハブ機能を持っていませんか？
USBハブ機能を持つUSB MIDIコントローラーは使用できません。

外部音源の音が入力できない。

- PREAMPLIFIERセクションの入力端子に外部音源が正しく接続されていますか？ また、GAINノブが0になっていませんか？ (→94 ページの「PREAMPLIFIER(プリアンプ)」)
- PREAMPLIFIERセクションの出力端子はVCFやMIXERの音声入力などに接続されていますか？

仕様

使用温度条件:	0 ~ + 40°C (結露させないこと)
最大同時発音数:	デュオフォニック時に2ボイス、通常はモノフォニック
VCO- 1(ボルテージ・コントロールド・オシレーター 1)	
波形:	ノコギリ波、矩形波
周波数レンジ:	約0.03 Hz ~ 30 Hz(ロー・フリケンシー・モード)、 約10 Hz ~ 10 kHz(オーディオ・モード)
電圧制御方式:	1 V/oct (C 3≈ 0V)
VCO- 2(ボルテージ・コントロールド・オシレーター 2)	
波形:	ノコギリ波、パルス波(パルス幅可変式)、三角波、サイン波
周波数レンジ:	約0.03 Hz ~ 30 Hz(ロー・フリケンシー・モード)、 約10 Hz ~ 10 kHz(オーディオ・モード)
パルス幅:	10% ~ 90%
電圧制御方式:	1 V/oct (C 3≈ 0V)
VCO- 3(ボルテージ・コントロールド・オシレーター 3)	
波形:	ノコギリ波、パルス波(パルス幅可変式)
周波数レンジ:	約0.03 Hz ~ 30 Hz(ロー・フリケンシー・モード)、 約10 Hz ~ 10 kHz(オーディオ・モード)
パルス幅:	10% ~ 90%
電圧制御方式:	1 V/oct (C 3≈ 0V)
VCF(ボルテージ・コントロールド・フィルタ)	
タイプ:	TYPE I (前期型ローパスフィルタ 24dB/oct) TYPE II (後期型ローパスフィルタ 24dB/oct)
周波数レンジ:	約10 Hz ~ 10 kHz
レゾナンス:	1/2 ~ 自己発振
VCA(ボルテージ・コントロールド・アンプリファイア)	
コントロール電圧:	ARタイプ(内部接続) ADSRタイプ(内部接続)
ノイズ・ジェネレーター:	ノイズ・スペクトラム・タイプ(ホワイト、ピンク)
リング・モジュレーター	
タイプ:	アナログ乗算器
入力信号(内部接続):	VCO- 1ノコギリ波, VCO- 2サイン波
サンプル&ホールド	
サンプル入力:	ノイズ(内部接続)

オーディオ・アウトプット端子	
フロント・パネル(LEFT, RIGHT OUTPUT 端子)	
コネクター:	φ 3.5 mmモノラル・フォーン端子
最大出力レベル:	+ 9 dBu@ 10 kΩ負荷
出力インピーダンス:	1.2 kΩ
サイド・パネル	
コネクター:	φ 6.3 mmモノラル・フォーン端子
最大出力レベル:	+ 4 dBu@ 600 Ω負荷
出力インピーダンス:	1.2 kΩ
ヘッドホン端子	
コネクター:	φ 6.3 mmステレオ・フォーン端子
最大出力レベル:	50 mW+ 50mW@ 33Ω負荷
出力インピーダンス:	20 Ω
外部オーディオ・インプット(PREAMPLIFIER INPUT)端子	
コネクター:	φ 3.5 mmモノラル・フォーン端子
最大入力レベル:	+ 2 dBu(RANGE x 10, GAIN ノブ最大)
入力インピーダンス:	100 kΩ
MIDI端子:	IN
USB端子:	Aタイプ, Bタイプ
電源:	ACアダプター (DC 12V、 )
消費電力:	13 W
外形寸法(幅×奥行き×高さ)、質量:	520 × 129 × 311 mm、6.0 kg
付属品:	ハード・ケース、ACアダプター、パッチ・ケーブル(10本)、取扱説明書
アクセサリ(別売):	microKEY 2シリーズ、SQ- 64等
※ 仕様および外観は、改良のため予告無く変更することがあります。	

保証規定(必ずお読みください)

本保証書は、保証期間中に本製品を保証するもので、付属品類（ヘッドホンなど）は保証の対象になりません。保証期間内に本製品が故障した場合は、保証規定によって無償修理いたします。

1. 本保証書の有効期間はご購入日より1年間です。
2. 次の修理等は保証期間内であっても有償となります。
 - ・ 消耗部品（電池、スピーカー、真空管、フェーダーなど）の交換。
 - ・ お取り扱い方法が不適当のために生じた故障。
 - ・ 天災（火災、浸水等）によって生じた故障。
 - ・ 故障の原因が本製品以外の他の機器にある場合。
 - ・ 不当な改造、調整、部品交換などにより生じた故障または損傷。
 - ・ 保証書にお買い上げ日、販売店名が未記入の場合、または字句が書き替えられている場合。
 - ・ 本保証書の提示がない場合。

尚、当社が修理した部分が再度故障した場合は、保証期間外であっても、修理した日より3 か月以内に限り無償修理いたします。

3. 本保証書は日本国内においてのみ有効です。
This warranty is valid only in Japan.
 4. お客様が保証期間中に移転された場合でも、保証は引き続きお使いいただけます。詳しくは、お客様相談窓口までお問い合わせください。
 5. 修理、運送費用が製品の価格より高くなる場合がありますので、あらかじめお客様相談窓口へご相談ください。発送にかかる費用は、お客様の負担とさせていただきます。
 6. 修理中の代替品、商品の貸し出し等は、いかなる場合においても一切行っておりません。本製品の故障、または使用上生じたお客様の直接、間接の損害につきましては、弊社は一切の責任を負いかねますのでご了承ください。
- 本保証書は、保証規定により無償修理をお約束するためのもので、これよりお客様の法律上の権利を制限するものではありません。

■お願い

1. 保証書に販売年月日等の記入がない場合は無効となります。記入できないときは、お買い上げ年月日を証明できる領収書等と一緒に保管してください。
2. 保証書は再発行致しませんので、紛失しないように大切に保管してください。

保証書

ARP 2600 M

本保証書は、保証規定により無償修理をお約束するものです。

お買い上げ日 年 月 日

販売店名

アフターサービス

■保証書

本製品には、保証書が添付されています。

お買い求めの際に、販売店が所定事項を記入いたしますので、「お買い上げ日」、「販売店」等の記入をご確認ください。記入がないものは無効となります。

なお、保証書は再発行致しませんので、紛失しないように大切に保管してください。

■保証期間

お買い上げいただいた日より1年間です。

■保証期間中の修理

保証規定に基づいて修理いたします。詳しくは保証書をご覧ください。

本製品と共に保証書を必ずご持参の上、修理を依頼してください。

■保証期間経過後の修理

修理することによって性能が維持できる場合は、お客様のご要望により、有料で修理させていただきます。ただし、補修用性能部品（電子回路などのように機能維持のために必要な部品）の入手が困難な場合は、修理をお受けすることができませんのでご了承ください。また、外装部品（パネルなど）の修理、交換は、類似の代替品を使用することもありますので、あらかじめお客様相談窓口へお問い合わせください。

■修理を依頼される前に

故障かな?とお思いになったら、まず取扱説明書をよくお読みの方え、もう一度ご確認ください。それでも異常があるときは、お客様相談窓口へお問い合わせください。

■修理時のお願い

修理に出す際は、輸送時の損傷等を防ぐため、ご購入されたときの箱と梱包材をご使用ください。

■ご質問、ご相談について

修理または商品のお取り扱いについてのご質問、ご相談は、お客様相談窓口へお問い合わせください。

WARNING!

この英文は日本国内で購入された外国人のお客様のための注意事項です
This Product is only suitable for sale in Japan. Properly qualified service is not available for this product if purchased elsewhere. Any unauthorised modification or removal of original serial number will disqualify this product from warranty protection.

お客様相談窓口



0570-666-569

一部の電話ではご利用になれません。固定電話または携帯電話からおかけください。
受付時間: 月曜～金曜 10:00～17:00 (祝日、窓口休業日を除く)

- サービス・センター: 〒168-0073 東京都杉並区下高井戸1-15-10
TEL 03(5355)3537 / FAX 03(5355)4470
- 輸入販売元: KORG Import Division
〒206-0812 東京都稲城市矢野口4015-2
www.korg-kid.com

部件名称	有毒有害物质或元素					
	铅 (Pb)	汞 (Hg)	镉 (Cd)	六价铬 (Cr(VI))	多溴联苯 (PBB)	多溴二苯醚 (PBDE)
电路板	×	○	○	○	○	○
外壳、按键	○	○	○	○	○	○
其他(橡胶按钮等)	○	○	○	○	○	○
其他附属品(电缆)	×	○	○	○	○	○
<p>○：表示该有毒有害物质或元素在该部件所有均质材料中的含量均在 GB/T 26572 标准规定的限量要求以下。</p> <p>×：表示该有毒有害物质或元素至少在该部件的某一均质材料中的含量超出 GB/T 26572 标准规定的限量要求。</p>						
 <p>此标记适用于中华人民共和国销售的电子信息产品，标记中央的数字表示环境保护使用期限的年数。自制造日算起的此年月内，产品中的指定6物质不会向外部泄漏或发生突变，不会产生环境污染或者对人体或财产带来深刻的影响。此环境保护使用期限并不表示产品保证期限。</p>						

