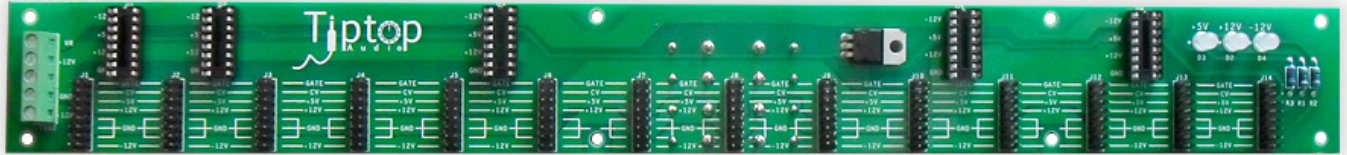




ZEUS Series **Passive Bus Board**

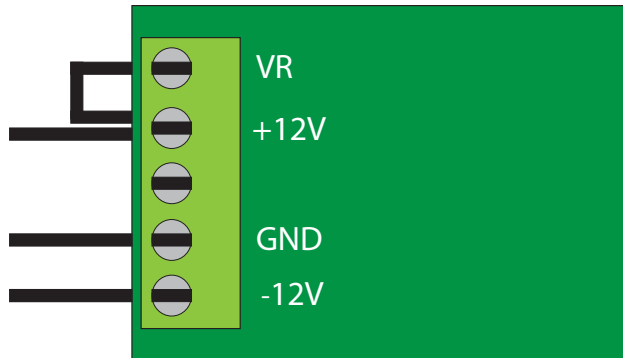


w/ Power Supply

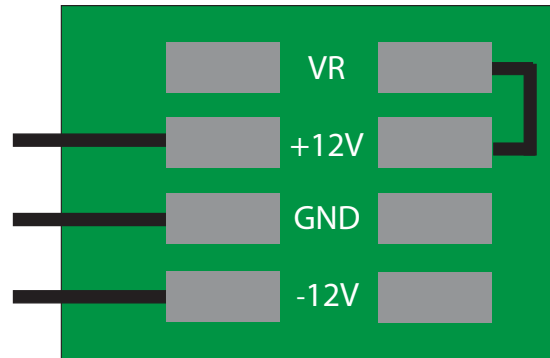


ZEUS Series Passive Bus Board w/ Power Supply

Screw Terminals



Flat Terminals



The ZEUS Passive Bus Board has the ability to connect to most 12V power supplies of your choosing. You may also conveniently purchase the proper supply from any of our distributors. This guide shows you how to properly connect the wiring from power supply to the ZEUS Passive Bus Board.

The ZEUS Passive Bus Board Will need to be wired from your 12V power supply using either the Screw Terminals located in the front, or the Flat Terminals located on the back of the board.

When wiring using either connection format, please make sure to wire a jumper from the +12V connection to the VR connection. This will power the +5V rail used in conjunction with module requiring the extra 5V current.

For a more in depth introduction to the ZEUS power systems and how to connect to our ZEUS Powered Bus Boards along with its additional set of features please refer to our full manual.

<http://www.tiptopaudio.com/products.php>





ZEUS Series Passive Bus Board w/ Power Supply

ZEUS Series Passive Bus Board

+5V Output: 220mA* max.

Eurorack Connectors: 14.

Analogue Systems Connectors: 5.

Flat Terminal Inputs: 1 set.

Screw Terminal Inputs: 1 set.

Flat Terminal Outputs: 1 set.

*These figures are tested and guaranteed with 12V power supplies.



ZEUS Series Passive Bus Board Dimensions

